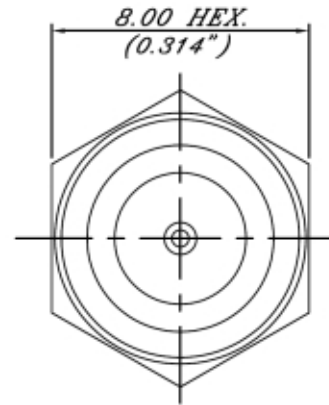
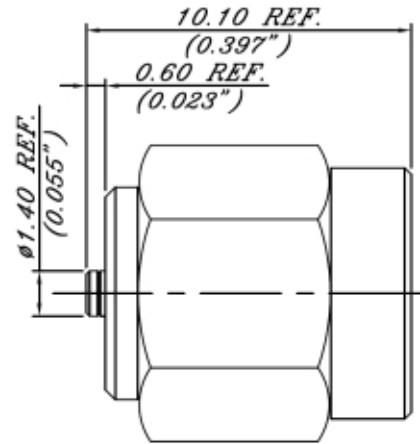


# 1. DIMENSION:

Unless otherwise specified all Dimensions in millimeters & inches. Values in brackets are inches equivalents.



SMAWFL-MS-0101-LF  
LEADFREE

RoHS Compliant

PERFORMANCE	
ITEM	SPECIFICATION
FREQUENCY RATING	DC to 6GHz
NOMINAL IMPEDANCE	50 ohm
TEMPERATURE RANGE	-40 to +90 °C
VOLTAGE RATING	250V r.m.s
CONTACT RESISTANCE	20m ohm max.
WITHSTANDING VOLTAGE	AC 200V
INSULATION RESISTANCE	500M ohm min.
V.S.W.R	DC to 6GHz 1.3 max.
INSERTION LOSS	DC to 6GHz 0.5dB max.
DURABILITY	1,000 CYCLES

**MORETHANALL**  
CONNECTORS  
ASSEMBLIES

PART NO. SMAWFL-MS-0101

DWG NO. SMAWFL-MS-0101

CHECKED BY CY

TOLERANCES ARE

DESCRIP TION:

FILE NO.

DRAWING BY

.X ± 0.2  
.XX ± 0.1

AREA

REVISIONS

HK

DATE

焯倫股份有限公司

UNIT / mm

SCALE 1:1

PROJECTION



.XXX ±  
AWG