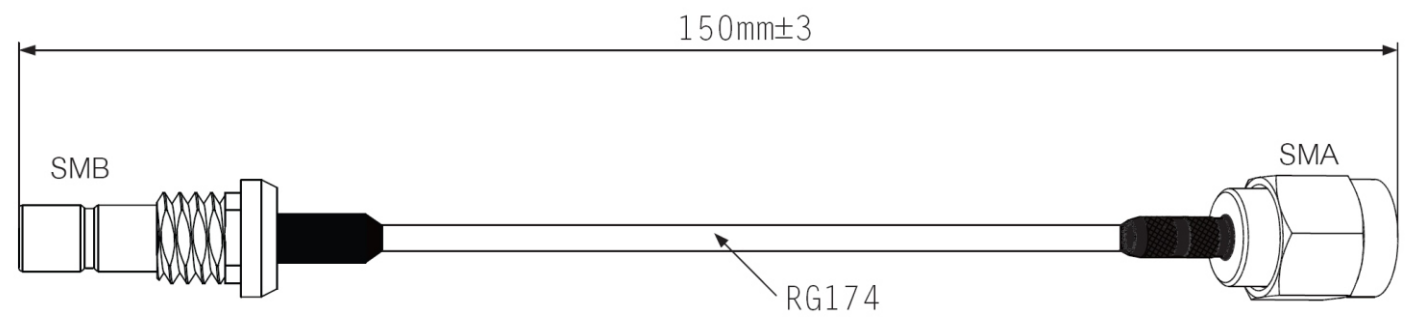
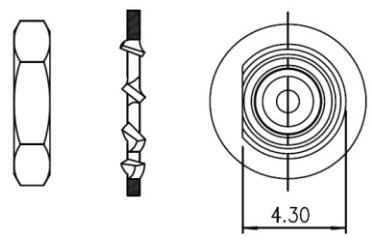


1 2 3 4 5 6 7 8 9 0

J
I
H
G
F
E
D
C
B
A



RoHS Compliant



PART NO. SMASMB-1S1S174-E15C		CHECKED BY CY	TOLERANCES ARE .X ± 0.2 .XX ± .XXX ± AWG	DESCRIP TION:			
DWG NO. SMASMB-1S1S174-E15C				DRAWING BY		AREA	REVISIONS
FILE NO.		PROJECTION					
UNIT / mm	SCALE 1:1						

煜倫股份有限公司