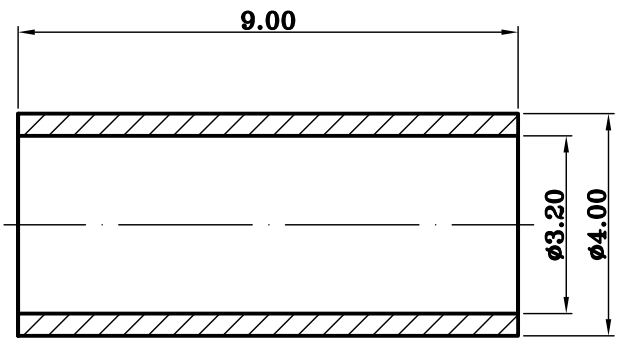
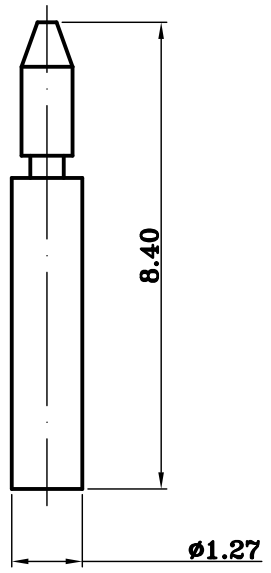
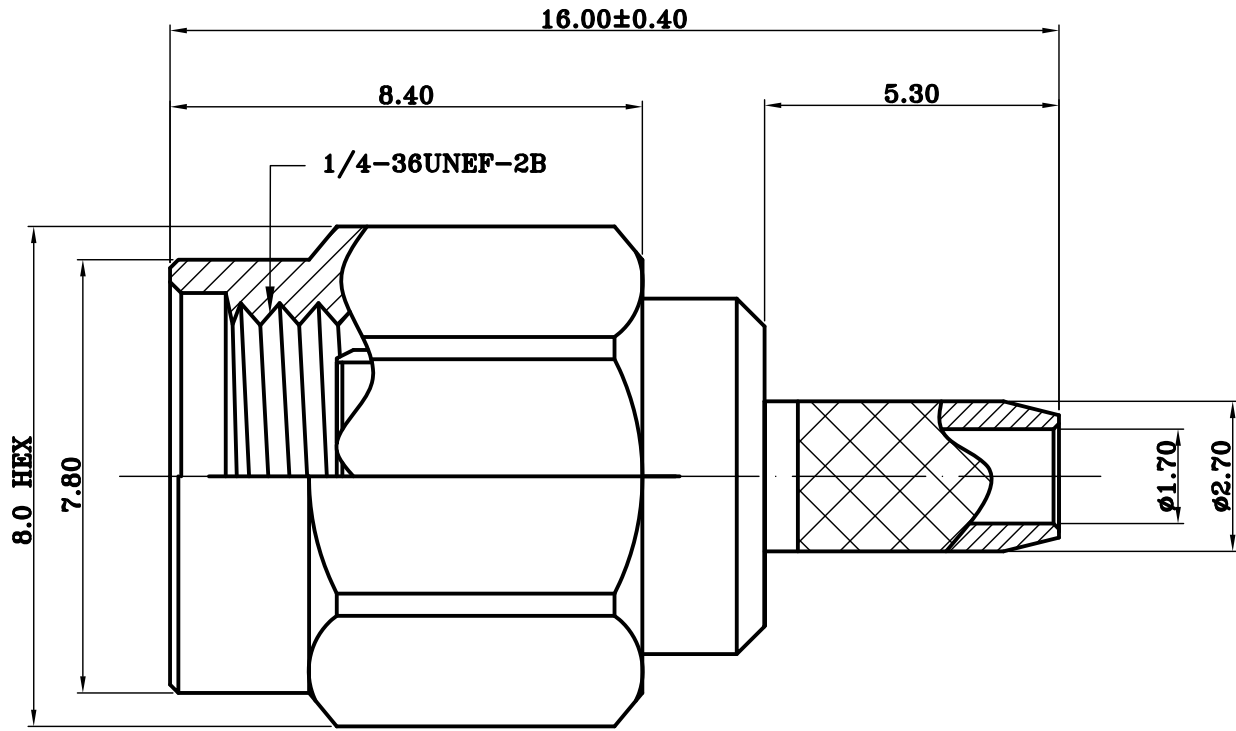


ACCESSORIES(配件)



7	RED SILICON	RUBBER	1	
6	SLEEVE	BRASS	1	NICKEL
5	RING	SUS	1	
4	INSULATOR	TEFLON	1	
3	CONDUCTOR	BRASS	1	GOLD
2	BODY	BRASS	1	NICKEL
1	SHELL	BRASS	1	NICKEL
ITEM	ITEM NAME	MATERIAL	Q'TY/EA	FINISH

RoHS Compliant

TOLERANCES ARE

照片框

ORDER INFORMATION

SMA-PC-174N-LF
 SERIES | | LEADFREE
 | | NICKEL
 | | RG 174
 | | CRIMP
 | | MALE

MORETHANALL
 PCB CONNECTORS
 Cable ASSEMBLIES

煜倫股份有限公司

www.morethanall.com

DRAWING BY CY

CHECKED BY GENIUS

UNIT / mm

SCALE 1 : 1

DATE

SIZE A4

PJECTION

X. ±
 .X ±
 .XX ±
 .XXX ±
 ANG ±

DESCRIPTION: SMA PLUG FOR RG-174 CABLE