

**ELECTRICAL**

IMPEDANCE: 50 OHMS

FREQUENCY RANGE: DC ~ 12.4 GHz

WORKING VOLTAGE: 500 Vrms Max.

DIELECTRIC WITHSTANDING VOLTAGE: 1500 Vrms Min.

CONTACT RESISTANCE:

CENTRE CONTACT 3.0 MILLI OHMS Max.

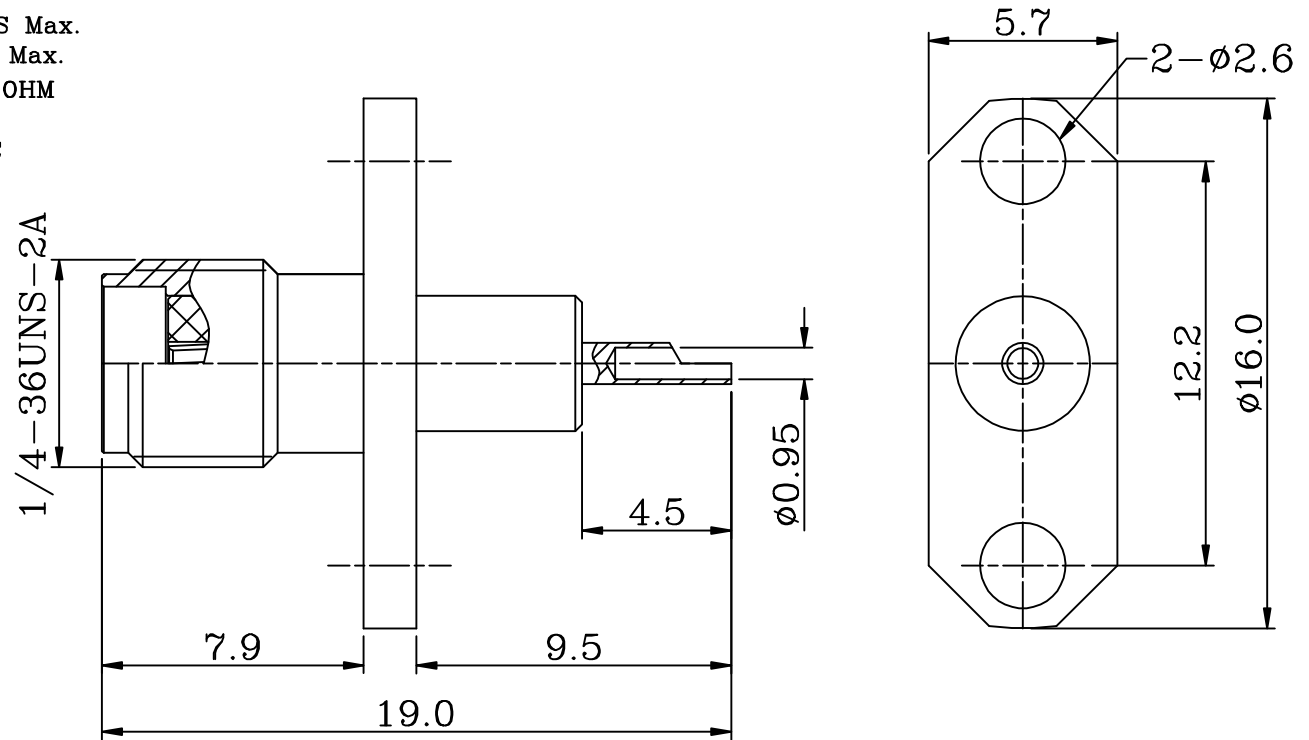
OUTER CONTACT 1.5 MILLI OHMS Max.

INSULATION RESISTANCE: > 5000 MEG OHM

ENVIRONMENTAL

TEMPERATURE RANGE: -55°C TO +125°C

DURABIUTY: 500 CYCLES Min.



3	CONTACT PIN	Be.Cu	1	GOLD PLATED
2	INSULATOR	TEFLON	1	NATURAL
1	BODY	BRASS	1	GOLD PLATED
ITEM	DESCRIPTION	MATERIAL	Q'TY	FINISHED

**RoHS Compliant**

TOLERANCES ARE

**MORETHANALL**  
PCB CONNECTORS  
Cable ASSEMBLIES

煜倫股份有限公司

www.morethanall.com

DRAWING BY CY

CHECKED BY GENIUS

UNIT / mm

SCALE 1 : 1

DATE

SIZE A4

0.5-15 = ±0.15  
15-30 = ±0.30  
30-120 = ±0.60  
>120 = ±1.00

ANGLES  
±5°

P PROJECTION

照片框

ORDER INFORMATION

SMA-JSPEP5045-50-LF  
SERIES JACK PIN PANEL EAR SOLDER  
LEADFREE  
50 OHM  
5.0+4.5mm

DESCRIPTION: SMA JACK FOR PANEL RECEPTACLE