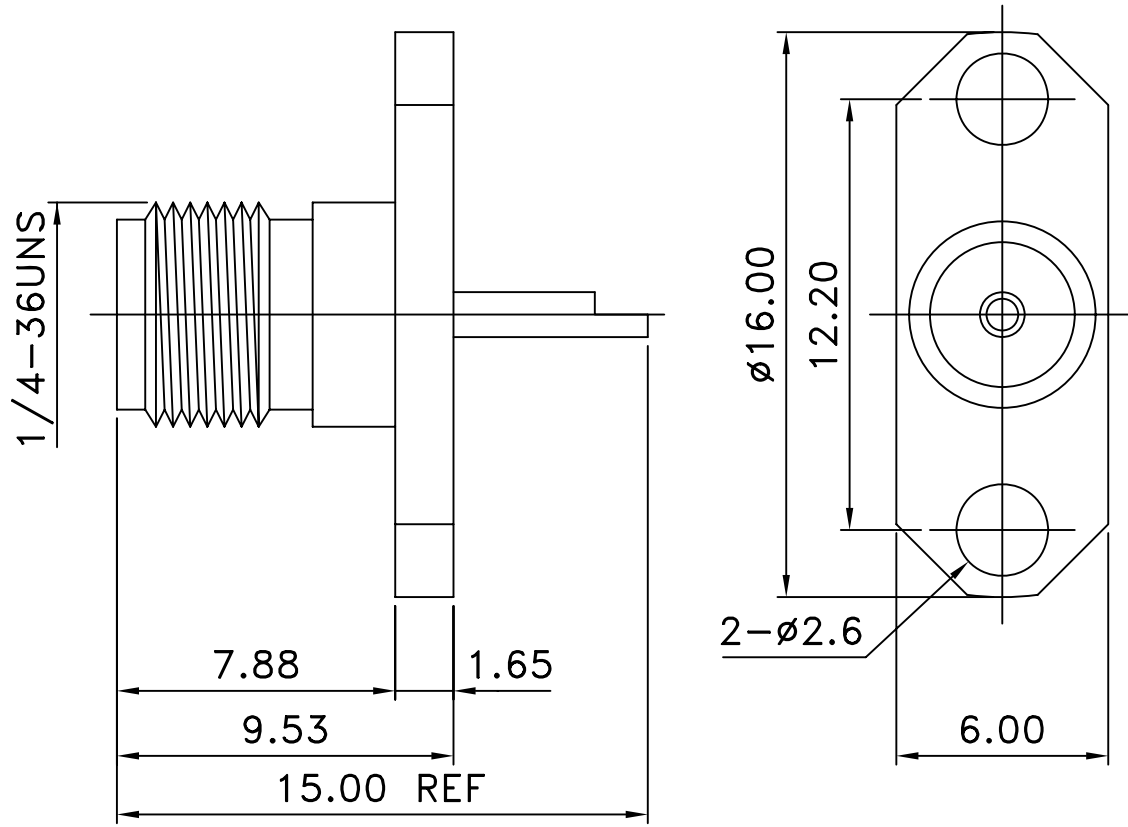


1 2 3 4 5 6 7 8 9 0

J
I
H
G
F
E
D
C
B
A



3	DIELECTRIC	TEFLON	NONE	1
2	PIN	BRASS	GOLD	1
1	BODY	BRASS	NICKEL	1
NO	DESCRIPTION	MATERIAL	FINISH	QTY



PART NO. SMA-JSPE-50

DWG NO. SMA-JSPE-50

CHECKED BY CY

FILE NO.

DRAWING BY

UNLESS OTHERWISE SPECIFIED TOLERANCES

0.5-5	=±0.2
5-30	=±0.4
30-120	=±0.6
120-315	=±1
315-1000	=±1.6
1000-2000	=±2.4

DESCRIPTION: SMA FEMALE PANEL MOUNT-2HOLES

焯倫股份有限公司

UNIT / mm

SCALE 1:1

PROJECTION

AREA

REVISIONS

HK

DATE