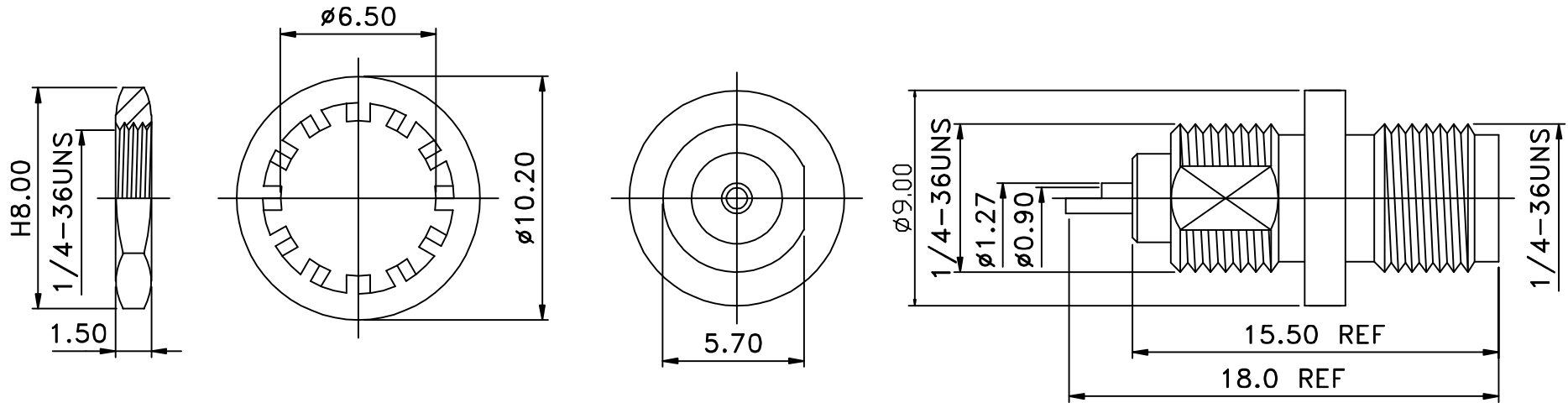


1 2 3 4 5 6 7 8 9 0

J
I
H
G
F
E
D
C
B
A



NO	DESCRIPTION	MATERIAL	FINISH	QTY
6	NUT	BRASS	GOLD	1
5	WASHER	STEEL	GOLD	1
4	DIELECTRIC	TEFLON	WHITE	1
3	DIELECTRIC	TEFLON	WHITE	1
2	PIN	BRASS	GOLD	1
1	BODY	BRASS	GOLD	1

SMA-JSPANW-50-LF
LEADFREE
RoHS Compliant

	PART NO. SMA-JSPANW-50		UNLESS OTHERWISE SPECIFIED TOLERANCES 0.5-5 =±0.2 5-30 =±0.4 30-120 =±0.6 120-315 =±1 315-1000 =±1.6 1000-2000=±2.4	DESCRIPTION: SMA FEMALE BULKHEAD TGG	
	DWG NO. SMA-JSPANW-50			CHECKED BY CY	AREA
焯倫股份有限公司	FILE NO.		DRAWING BY	HK	DATE
	UNIT / mm	SCALE 1:1	PROJECTION		