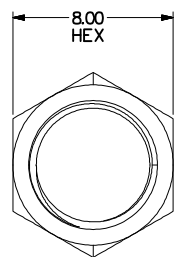
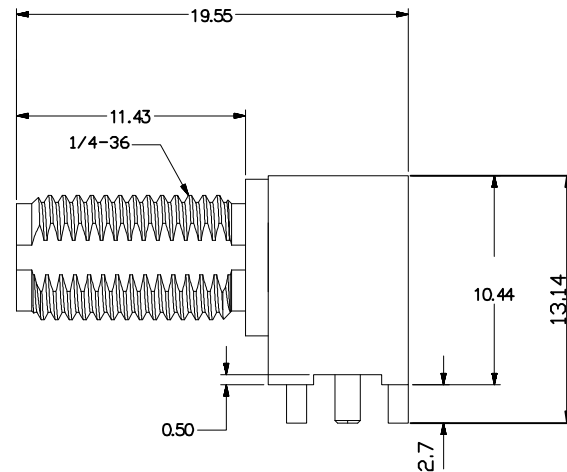
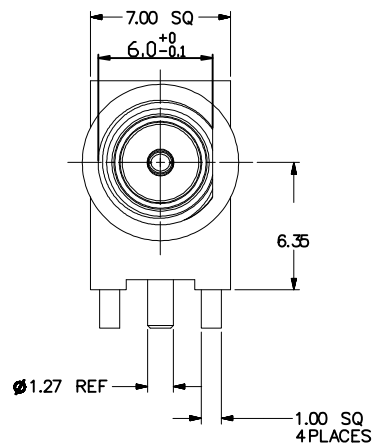
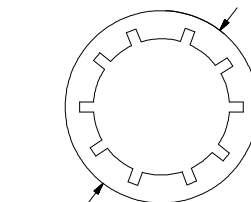
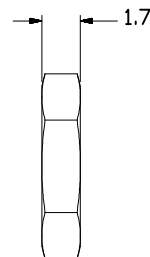


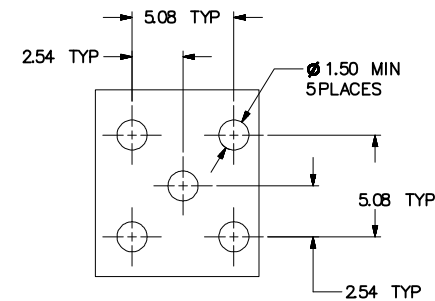
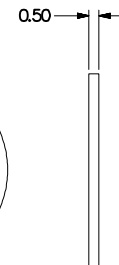
PANEL CUTOUT  
3.42 /1.35 MAX  
THICKNESS



JAM NUT



LOCK WASHER



7	NUT	BRASS	GOLD	1
6	WESHER	STEEL	GOLD	1
5	DIELECTRIC	TEFLON	NONE	1
4	DIELECTRIC	TEFLON	NONE	1
3	PIN	BRASS	GOLD	1
2	BODY	BRASS	GOLD	1
1	BODY	BRASS	GOLD	1
NO	DESCRIPTION	MATERIAL	FINISH	QTY

ELECTRICAL SPECIFICATIONS:  
 VOLTAGE RATING:AC 500V  
 WITH STANDING VOLTAGE:AC 1,000V ONE MINUTE  
 INSULATION RESISTANCE:5,000MΩ min AT DC 500V  
 CONTACT RESISTANCE:4 mΩ MAX AT DC 0.1A  
 FREQUENCY RANGE:0-12GHz  
 IMPEDANCE:50Ω

RoHS Compliant

TOLERANCES ARE

**MORETHANALL**  
 PCB CONNECTORS  
 Cable ASSEMBLIES

煜倫股份有限公司

www.morethanall.com

DRAWING BY CY

CHECKED BY GENIUS

UNIT / mm

SCALE 1 : 1

DATE

SIZE A4

PJECTION

0.5-5	±0.2
5-30	±0.4
30-120	±0.6
120-315	±1
315-1000	±1.6
1000-2000	±2.4

照片框

ORDER INFORMATION

SMA-JRPBW-50-LF  
 SERIES | | | | | LEADFREE  
 JACK | | | | | 50WAY  
 DIP 90° | | | | | WASHER  
 | | | | | NUT  
 | | | | | BACK  
 | | | | | PANEL

DESCRIPTION: SMA PCB JACK R/A