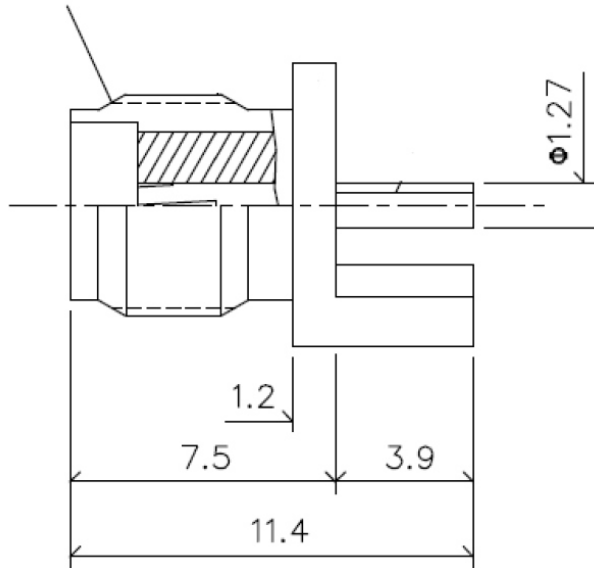
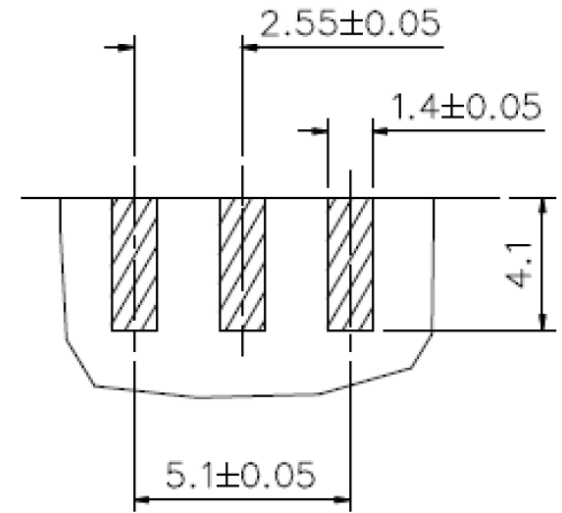
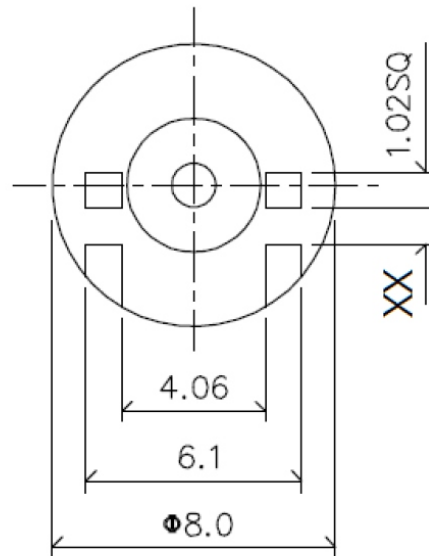


1/4-36 UNS-2A



XX=0.8/1.0/1.3/1.6/1.73



Recommended PCB Layout

RoHS Compliant

TOLERANCES ARE

**MORETHANALL**  
PCB CONNECTORS  
Cable ASSEMBLIES

煜倫股份有限公司

www.morethanall.com

DRAWING BY CY

CHECKED BY GENIUS

UNIT / mm SCALE 1:1

DATE

SIZE A4

X.±

.X±

.XX±

.XXX±

ANG±

PPOJECTION

照片框

ORDER INFORMATION

SMA-JE<sub>xx</sub>-50-LF  
SERIES | LEADFREE  
50 OHM  
E08:EDGE CLIP 0.80mm  
E17:EDGE CLIP 1.73mm  
JACK

DESCRIPTION: