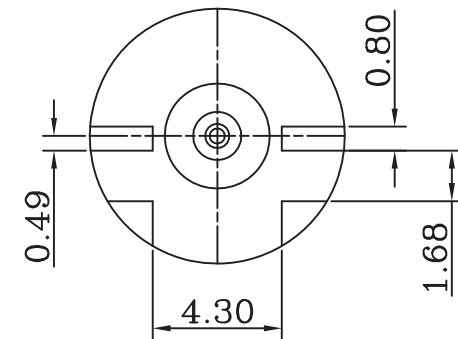
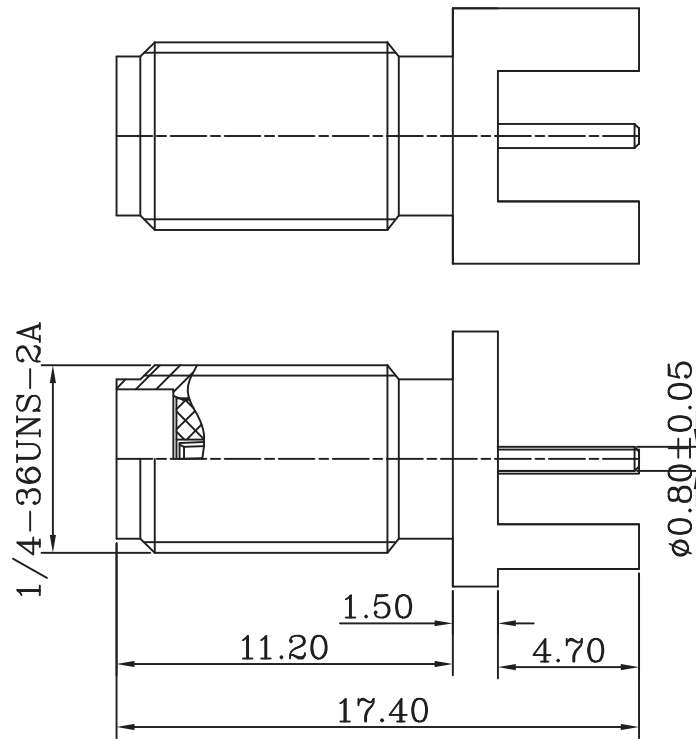


RECOMMENDED FOOTPRINT



3	CENTER PIN	Be.Cu	1	GOLD PLATED 3U"
2	INSULATOR	TEFLON	1	NATURAL
1	BODY	BRASS	1	GOLD PLATED 3U"
ITEM	DESCRIPTION	MATERIAL	Q'TY	FINISHED

RoHS Compliant

TOLERANCES ARE

MORETHANALL
PCB CONNECTORS
Cable ASSEMBLIES

DRAWING BY CY

CHECKED BY GENIUS

UNIT / mm

SCALE 1 : 1

DATE

SIZE A4

P PROJECTION

0.5-15 = ±0.15
15-30 = ±0.30
30-120 = ±0.60
>120 = ±1.00

ANGLES
±5°

照片框

ORDER INFORMATION

SMA-JE17PB17-50-LF
SERIES | | | | LEADFREE
50 OHM
LONG 17.40mm
BACK
PANEL
EDGE CLIP 1.68mm
JACK

DESCRIPTION: SMA JACK PCB RECEPTACLE EDGE MOUNT

煜倫股份有限公司

www.morethanall.com