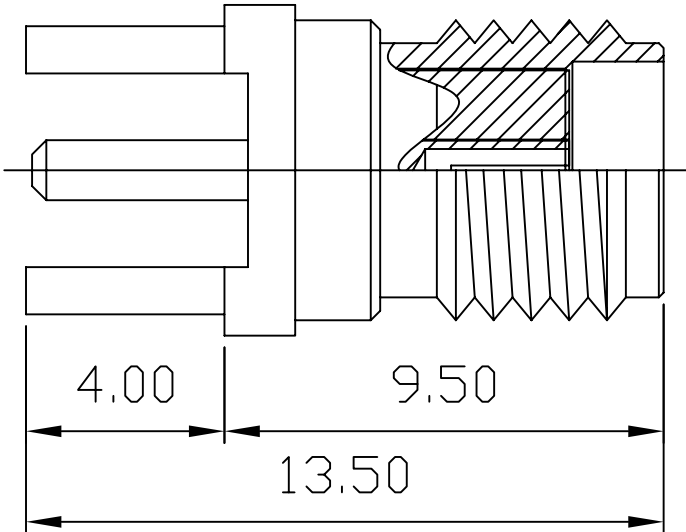
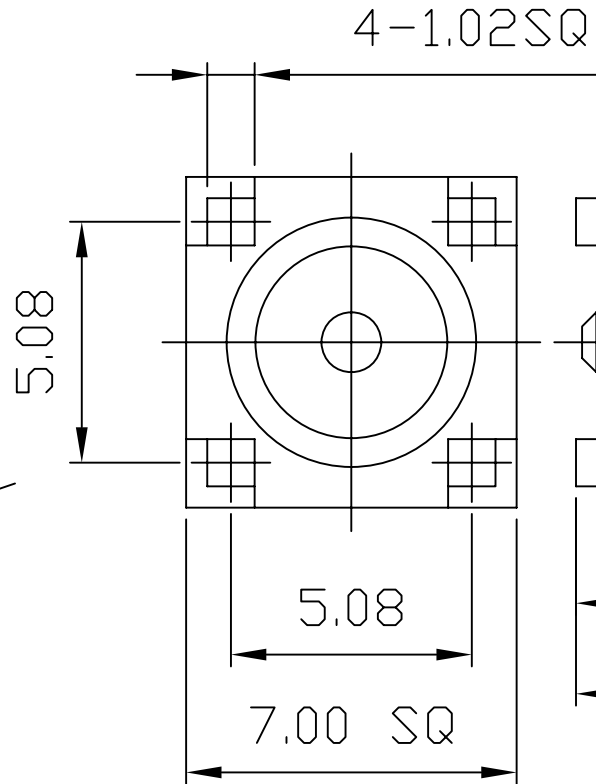
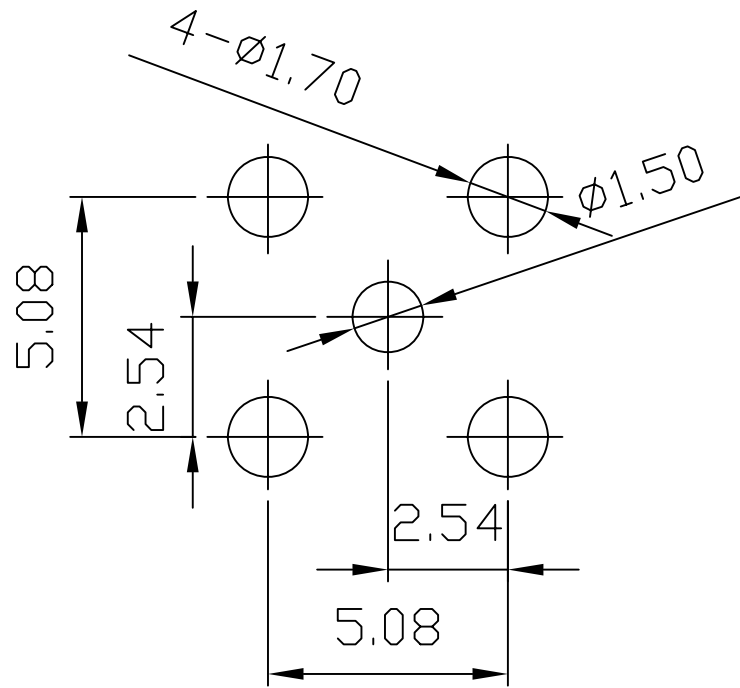


ELECTRICAL SPECIFICATIONS:  
 VOLTAGE RATING:AC 500V  
 WITH STANDING VOLTAGE:AC 1000V ONE MINUTE  
 INSULATION RESISTANCE:5000M OHM MIN AT DC 500V  
 CONTACT RESISTANCE:4M OHM MAX AT DC 0.1A  
 FREQUENCY RANGE:0-12GHZ  
 IMPEDANCE:50 OHM



SMA-JDx-50-LF  
 LEADFREE  
 BLANK:GOLD  
 N:NICKEL

RoHS Compliant

NO	DESCRIPTION	MATERIAL	FINISH	QTY
3	DIELECTRIC	TEFLON	NONE	1
2	PIN	BRASS	GOLD	1
1	BODY	BRASS	GOLD	1

**MORETHANALL**  
 CONNECTORS  
 ASSEMBLIES

PART NO.	SMA-JDx-50
DWG NO.	SMA-JDx-50
FILE NO.	
UNIT / mm	SCALE 1:1

CHECKED BY	CY
DRAWING BY	
PROJECTION	

TOLERANCES ARE	
0.5-5	=±0.2
5-30	=±0.4
30-120	=±0.6
120-315	=±1
315-1000	=±1.6
1000-2000	=±2.4

DESCRIPTION:	SMA FEMALE PC BOARD MOUNT			
AREA	REVISIONS	HK	DATE	

焯倫股份有限公司