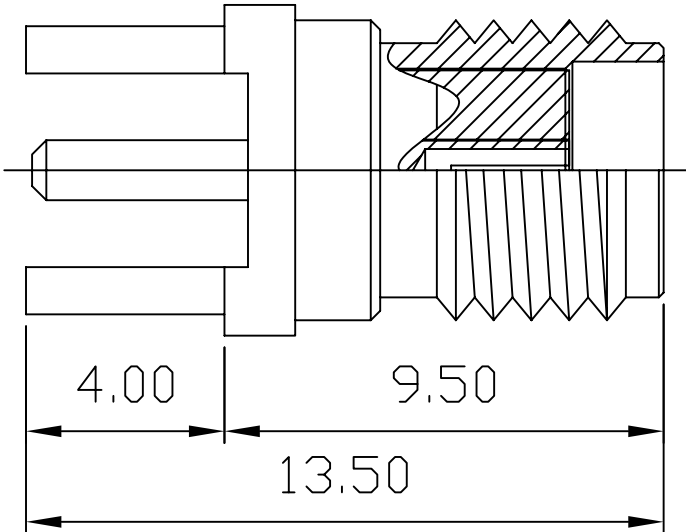
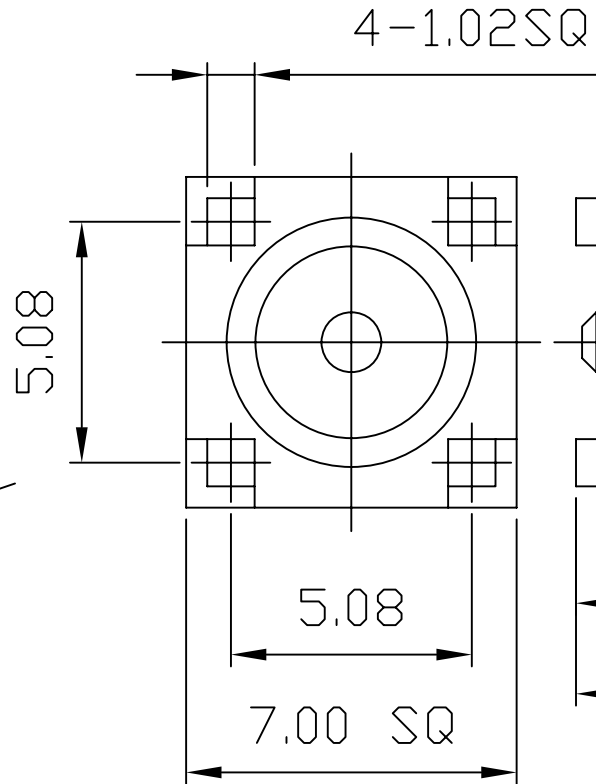
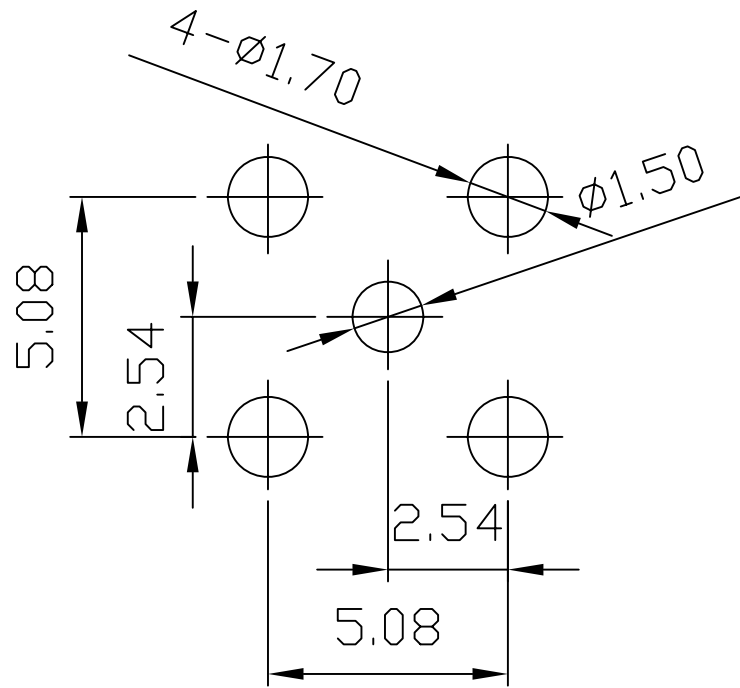


ELECTRICAL SPECIFICATIONS:
 VOLTAGE RATING:AC 500V
 WITH STANDING VOLTAGE:AC 1000V ONE MINUTE
 INSULATION RESISTANCE:5000M OHM MIN AT DC 500V
 CONTACT RESISTANCE:4M OHM MAX AT DC 0.1A
 FREQUENCY RANGE:0-12GHZ
 IMPEDANCE:50 OHM



SMA-JDN-50-LF
 LEADFREE

RoHS Compliant

NO	DESCRIPTION	MATERIAL	FINISH	QTY
3	DIELECTRIC	TEFLON	NONE	1
2	PIN	BRASS	NICKEL	1
1	BODY	BRASS	NICKEL	1

MORETHANALL
 CONNECTORS
 ASSEMBLIES

PART NO. SMA-JDN-50

DWG NO. SMA-JDN-50

FILE NO.

UNIT / mm SCALE 1:1

CHECKED BY CY

DRAWING BY

PROJECTION

TOLERANCES ARE
 0.5-5 =±0.2
 5-30 =±0.4
 30-120 =±0.6
 120-315 =±1
 315-1000 =±1.6
 1000-2000 =±2.4

DESCRIPTION: SMA FEMALE PC BOARD MOUNT

AREA REVISIONS HK DATE

焯倫股份有限公司