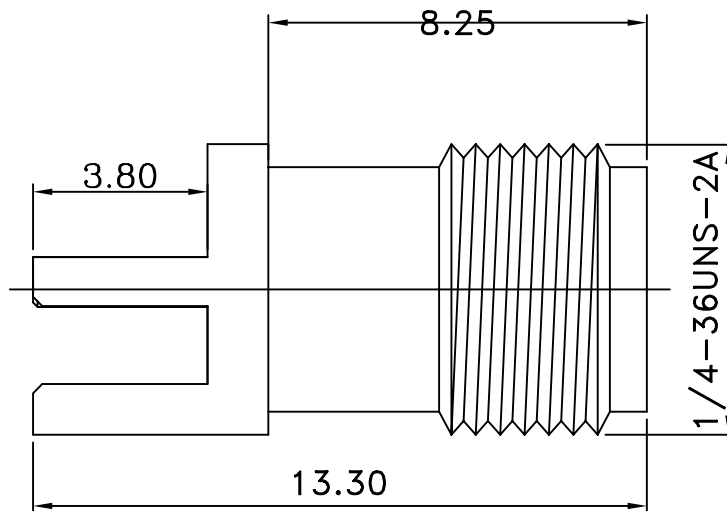
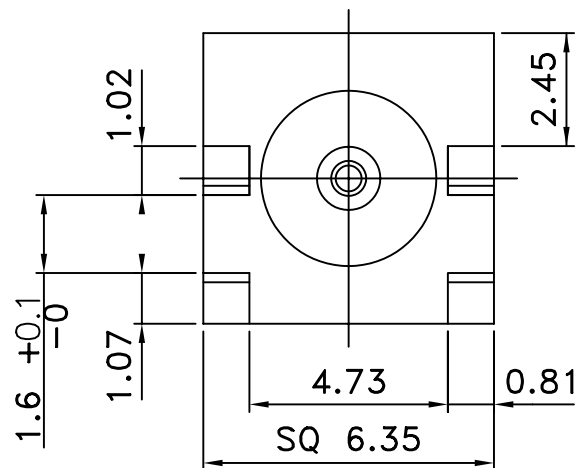


1 2 3 4 5 6 7 8 9 0

J
I
H
G
F
E
D
C
B
A



- UNLESS OTHERWISE SPECIFIED
- 1.REMOVE ALL BURRS.
 - 2.BREAK ALL CONNERS & EDGES CO.15 MAX.
 - 3.CHAMFER 1ST & LAST THREADS 45°.
 - 4.DIAMETERS ON COMMON CENTERS. TO BE CONCENTRIC WITHIN 0.1 T.I.R.
 - 5.ALL DIMENSIONS ARE AFTER PLATING.
 - 6.CENTER PIN DIA :0.76mm

3	Dielectric	1	Teflon	None
2	Pin	1	BeCu	Gold
1	Body	1	Brass	Gold
NO	Description	Q'ty	Material	Finish



PART NO. SMA-JDCF-50S

DWG NO. SMA-JDCF-50S

CHECKED BY CY

TOLERANCES ARE

DESCRIP TION: SMA FEMALE P.C.B. MOUNT

FILE NO.

DRAWING BY

.X ± 0.3
.XX ±
.XXX ±
AWG

AREA	REVISIONS	HK	DATE
------	-----------	----	------

焯倫有限公司

UNIT / mm

SCALE 1:1

PROJECTION