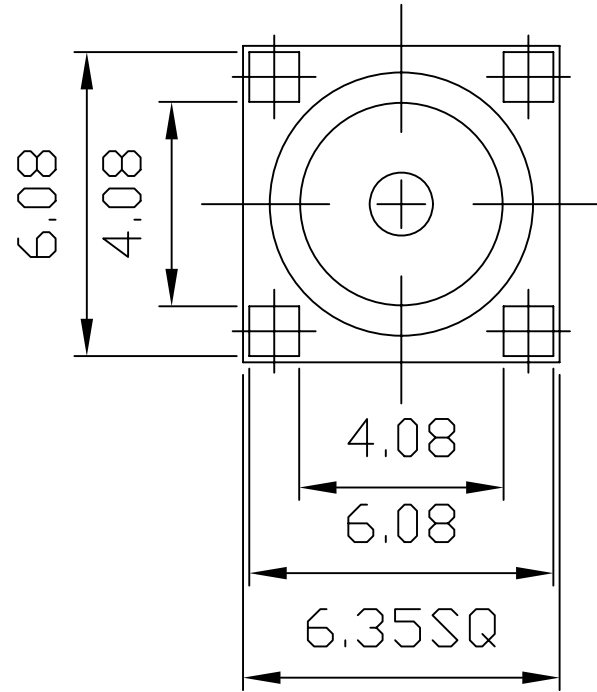
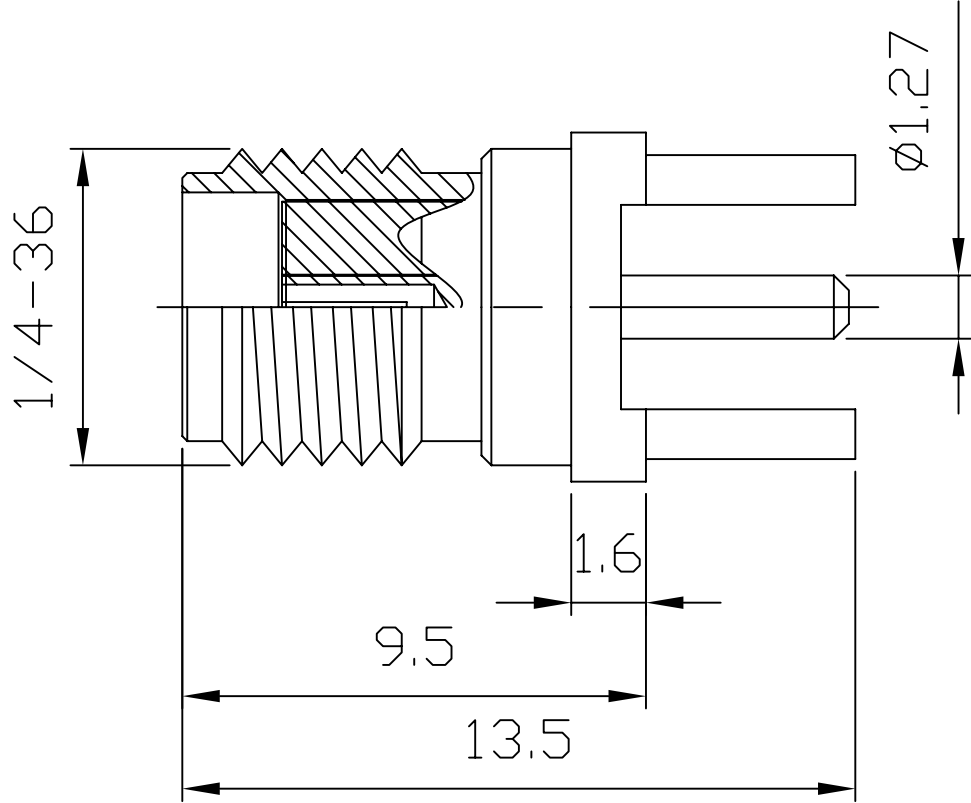


1 2 3 4 5 6 7 8 9 0

J  
I  
H  
G  
F  
E  
D  
C  
B  
A



|    |             |          |        |     |
|----|-------------|----------|--------|-----|
| 3  | DIELECTRIC  | TEFLON   | NONE   | 1   |
| 2  | PIN         | BRASS    | GOLD   | 1   |
| 1  | BODY        | BRASS    | GOLD   | 1   |
| NO | DESCRIPTION | MATERIAL | FINISH | QTY |



PART NO. SMA-JDB63-50

DWG NO. SMA-JDB63-50

FILE NO.

UNIT / mm

SCALE 1:1

CHECKED BY CY

DRAWING BY

PROJECTION

| UNLESS OTHERWISE SPECIFIED TOLERANCES |      |
|---------------------------------------|------|
| 0.5-5                                 | ±0.2 |
| 5-30                                  | ±0.4 |
| 30-120                                | ±0.6 |
| 120-315                               | ±1   |
| 315-1000                              | ±1.6 |
| 1000-2000                             | ±2.4 |

|              |                           |           |    |      |
|--------------|---------------------------|-----------|----|------|
| DESCRIPTION: | SMA FEMALE PC BOARD MOUNT |           |    |      |
|              | AREA                      | REVISIONS | HK | DATE |

煜倫股份有限公司