

1 2 3 4 5 6 7 8 9 0

J

I

H

G

F

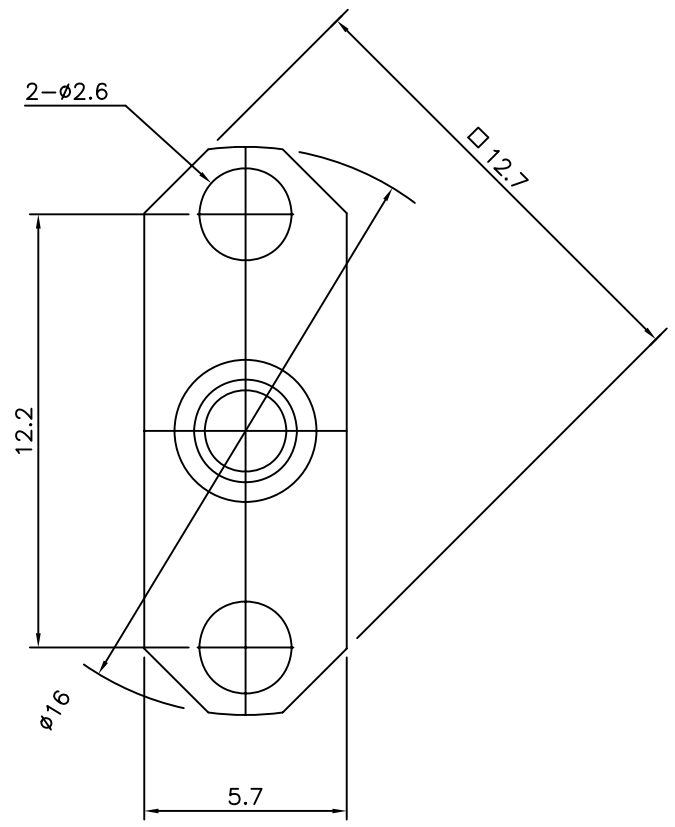
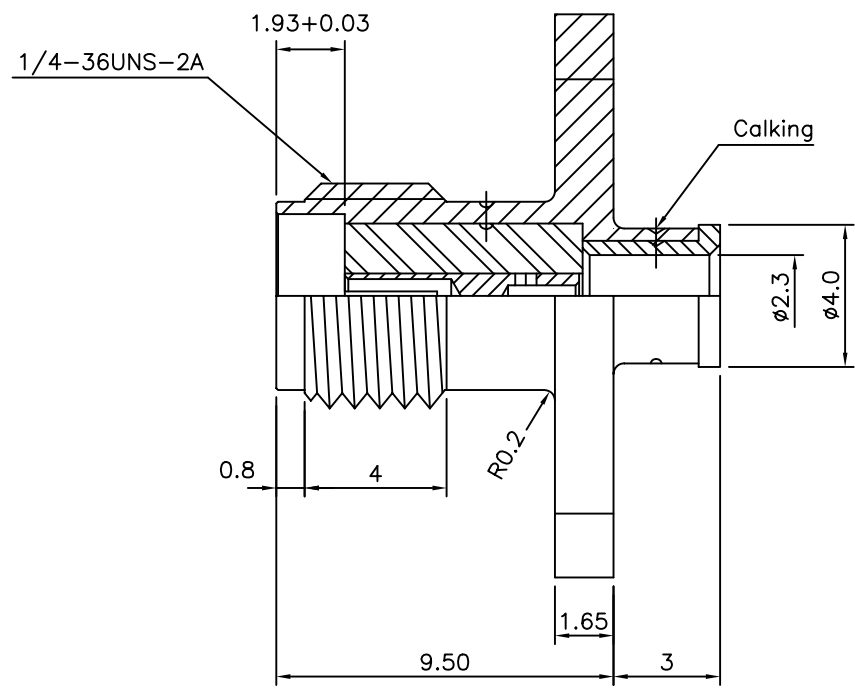
E

D

C

B

A



SMA-FEMALE-2H
Panel Mount/Cable-UT085

Connector parts	Materials	Finish
Body	Stainless steel	Passivated
Cable sleeve	Brass	Gold Plated
Center contact	Beryllium copper	Gold Plated
Insulator	PTFE	-

MORETHANALL
CONNECTORS
ASSEMBLIES

PART NO. SMA-JCPE-85

DWG NO. SMA-JCPE-85

CHECKED BY CY

FILE NO.

DRAWING BY

TOLERANCES ARE
.X ± 0.2
.XX ±
.XXX ±
AWG

DESCRIPTION:

煜倫股份有限公司

UNIT / mm

SCALE 1:1

PROJECTION

AREA

REVISIONS

HK

DATE