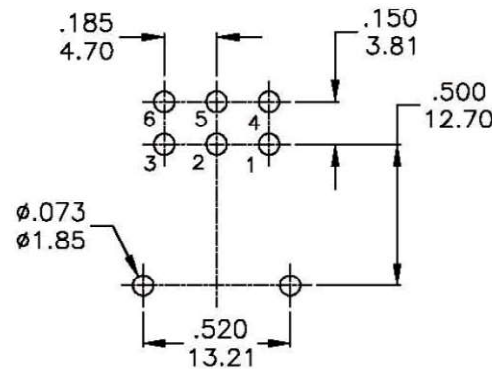


P.C. MOUNTING



**SPECIFICATIONS**

**MECHANICAL LIFE:** 30,000 make-and-break cycles.  
**CONTACT RESISTANCE:** 10mΩ max. initial @ 2-4VDC  
 100mA for both silver and gold plated contacts.  
**INSULATION RESISTANCE:** 1,000MΩ min.  
**DIELECTRIC STRENGTH:** 1,000 V RMS@sea level.  
**OPERATING TEMPERATURE:** -30°C to 85°C.

**MATERIALS**

**CASE:** Dially phthalate (DAP) (UL94v-0).  
**ACTUATOR:** Nylon, black std.  
**HOUSING:** Stainless Steel.  
**CONTACT:** Silver or gold plated.  
**TERMINAL SEAL:** Epoxy.

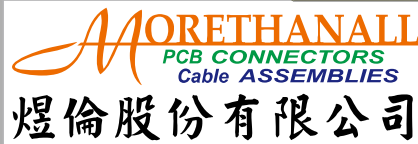
| Model No.   | POS.1   | POS.2 | POS.3   |
|-------------|---------|-------|---------|
|             | 5MD1    | ON    | NONE    |
| Term. Comm. | 2-1,5-4 | OPEN  | 2-3,5-6 |
| SCHEMATIC   |         |       |         |

**SWITCH FUNCTION**

**RATING :**

R : 0.4 Volt-Amps(VA) max. @20V max.(AC or DC)  
 Q : 2Amps @250VAC  
 5Amps @120 VAC or 28 VDC

**RoHS Compliant**

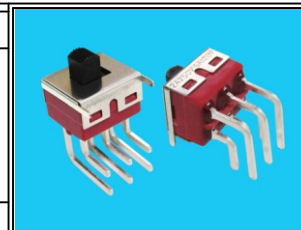


www.morethanall.com

DRAWING BY CY  
 CHECKED BY GENIUS  
 UNIT / mm SCALE 1 : 1  
 DATE  
 SIZE A4 PPROJECTION

TOLERANCES ARE

X. ±  
 .X ± 0.40  
 .XX ± 0.25  
 .XXX ±  
 ANG ±



**ORDER INFORMATION**

SLSW47-RM047-2X03-LF

SERIES | LEADFREE  
 | 06 WAY  
 | LONG 4.7mm  
 | METAL  
 | DIP 90°

DESCRIPTION: