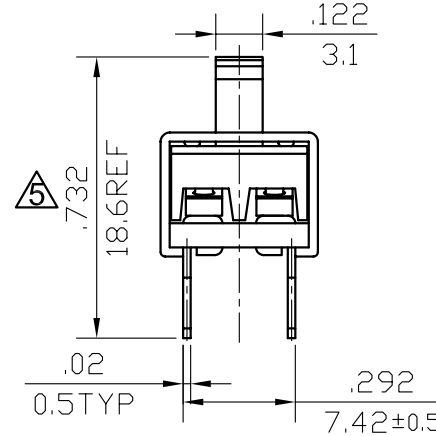
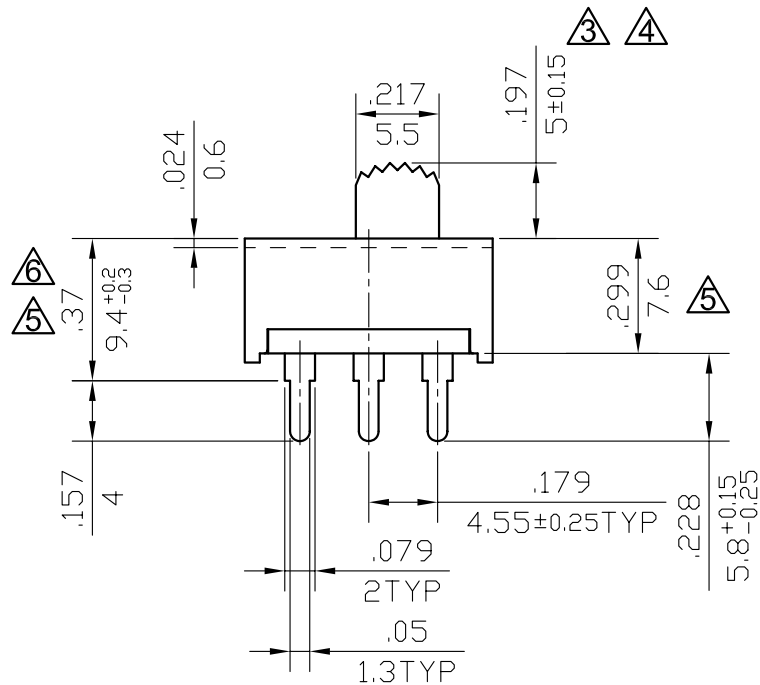
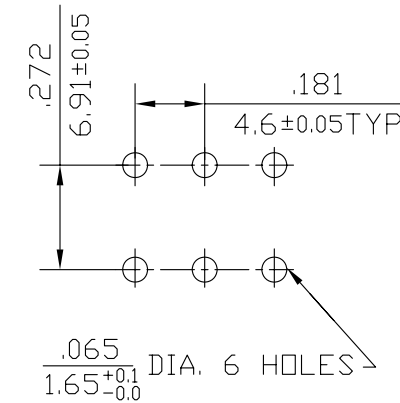


RATING:3A AC125V/ 5A DC125V
 CIRCUIT:DOUBLE POLES TWO THROW
 CONTACT RESISTANCE:20mΩ(MAX)
 DIELECTRIC STRENGTH:1000VAC FOR 1 MINUTE
 OPERATION FORCE:300±200gf

SLSW46-D-2X03-LF
 LEADFREE
 RoHS Compliant



P.C. LAYOUT



NOTES:1.TOLERANCES UNLESS OTHERWISE SPECIFIED: ± $\frac{.012}{0.3}$ (in/mm)
 2. IT IS IN COMPLIANCE WITH CANAL ROHS SPECIFICATION:WI-QA-24

MORETHANALL
 CONNECTORS
 ASSEMBLIES

PART NO. SLSW46-D-2X03

DWG NO. SLSW46-D-2X03

CHECKED BY CY

TOLERANCES ARE

DESCRIPTION:

FILE NO.

DRAWING BY

.X ± 0.2
 .XX ±
 .XXX ±
 AWG

AREA

REVISIONS

HK

DATE

焯倫股份有限公司

UNIT / mm

SCALE 1:1

PROJECTION

