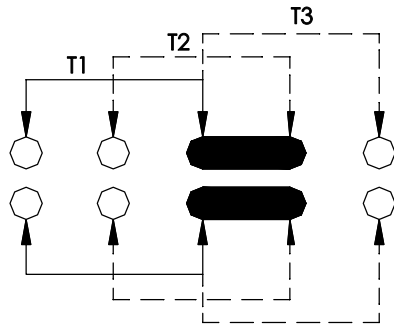


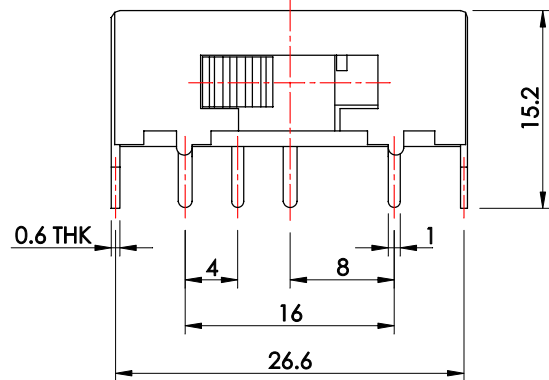
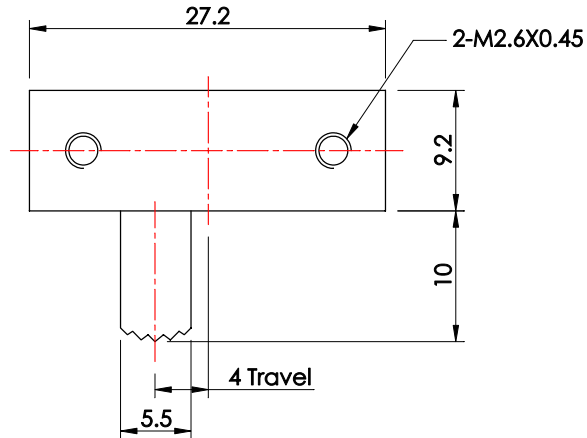
*本圖面若與目錄之規格尺寸不符，以本圖面規格尺寸為主。
Below is our main specification if different from catalog.

SCHMATIC

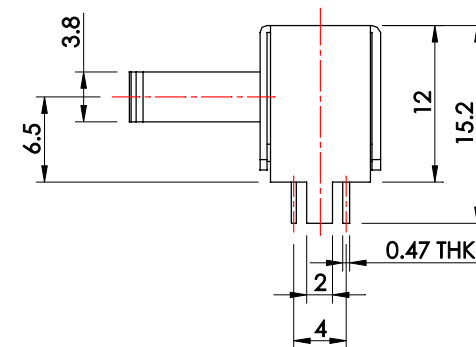
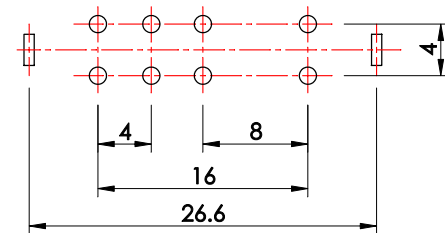


SPECIFICATION

Rating: 0.3A 50V DC.
Circuit: 2P3T.
Timing: Shorting.
Contact resistance: 30mΩ Max.
Insulation resistance: 100MΩ Min. at 500V DC.
Withstand voltage: 500V AC for 1 minute.
Operating force: T1→T2, T3→T2: 200±100g.
T2→T1, T2→T3: 250±100g.
Minimum load: 30mA 10V DC.(reference only)
Life: 10,000 Cycles.
Soldering temperature: 230°C Max. for 3 sec.
Soldering time: 1 time only.
Note1: Unwashable, don't be immersed by epoxy and organic solvent.
Note2: Please check the actual size, do not scale the drawing page.



P.C.B. LAYOUT



MATERIAL

Frame: Steel strip, Ni plated.
Knob: POM, black.
Base: Phenolic resin, black.
Terminal: Brass strip, Ag plated over Ni plated.
Steel ball: Steel, natural.
Spring: Steel wire, temper.
Contact clip: PBS strip, Ag plated.

RoHS Compliant

TOLERANCES ARE

MORETHANALL
PCB CONNECTORS
Cable ASSEMBLIES

煜倫股份有限公司

www.morethanall.com

DRAWING BY CY

CHECKED BY GENIUS

UNIT / mm SCALE 1 : 1

DATE

SIZE A4 PPROJECTION

X, ±
.X ± 0.30
.XX ± 0.20
.XXX ±
ANG ±

照片框

ORDER INFORMATION

SLSW40-RM100-2X04-LF

SERIES | LEADFREE
08 WAY
LONG 10.0mm
METAL
DIP 90°

DESCRIPTION: