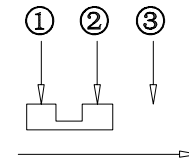
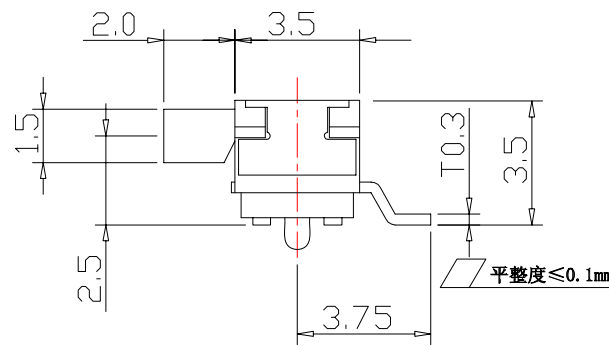
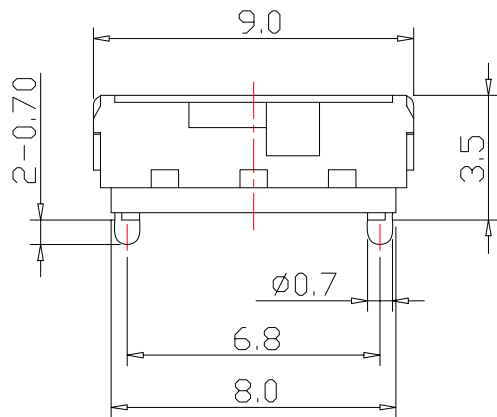


P.C.B LAND PATTERN

SPECIFICATIONS

Rating	DC 6V, 0.3A
Circuit	1C-2P
Travel	2.0 ± 0.1mm
Operating Life	10,000 Cycle
Operating Force	150 ± 100gf
Timing	NON-SHORTING



CIRCUIT DIAGRAM

5	KNOB	PA6T	1	WHITE
4	COVER	STAINLESS STEEL	1	NATURAL
3	CONTACT	PHOSPOR BRONZE	2	Ag-Plate
2	CASE	PA6T	1	BLACK
1	TERMINAL	BRASS	3	Ag-Plate
NO.	PARTS	MATPRIAIS	Q' TY	FINISH

RoHS Compliant

TOLERANCES ARE

MORETHANALL
PCB CONNECTORS
Cable ASSEMBLIES

DRAWING BY CY

CHECKED BY GENIUS

UNIT / mm

SCALE 1:1

DATE

SIZE A4

X. ±
.X ±
.XX ±
.XXX ±
ANG ±

P PROJECTION

照片框

ORDER INFORMATION

SLSW25-WP020-1X03-LF

SERIES

LEADFREE
03 WAY
HANDLE HIGH 2.0mm
POST
180°SMT

煜倫股份有限公司

www.morethanall.com

DESCRIPTION: