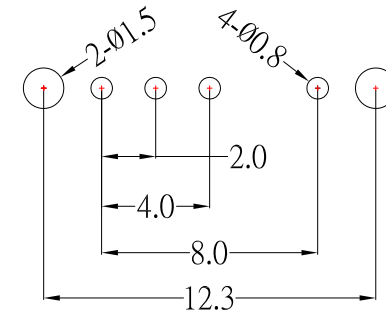
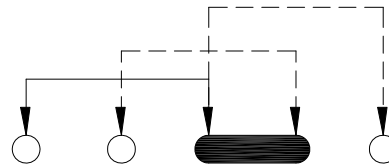
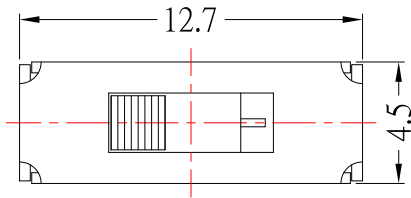
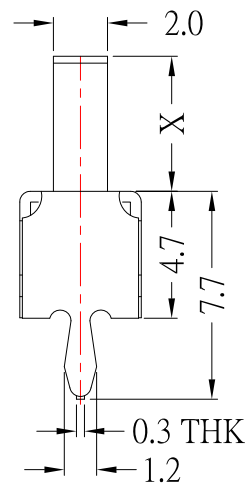
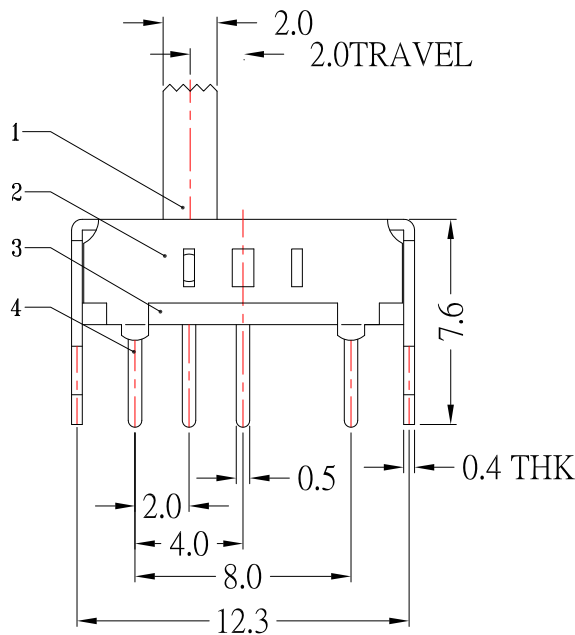


SCHEMATIC



P.C.B MOUNTING PATTERN



Model No.	X(mm)
SLSW20-DM020-1X05E2	2mm
SLSW20-DM030-1X05E2	3mm
SLSW20-DM040-1X05E2	4mm
SLSW20-DM050-1X05E2	5mm
SLSW20-DM060-1X05E2	6mm
SLSW20-DM070-1X05E2	7mm
SLSW20-DM080-1X05E2	8mm
SLSW20-DM090-1X05E2	9mm

SPECIFICATIONS

Rating	DC 50V 0.3A
Circuit	1P - 3T
Contact Resistance	200mΩ Max.
Insulation Resistance	100MΩ Min.
Operating Force	250gf ± 100gf
Operating Life (cycles)	10,000

6	SPRING PLATED	1	PHOSPHOR BRONZE	Natural
5	CONTACT CLIP	1	PHOSPHORBRONZE	Ag-Plated
4	TERMINAL	4	BRASS	Ag-Plated
3	BASE	1	PHENOLIC RESIN	Natural
2	FRAME	1	SPCC	Ni-Plated
1	KNOB	1	POM	Black
NO.	DESCRIPTION	QTY	MATERIAL	REMARK

RoHS Compliant

TOLERANCES ARE

MORETHANALL
PCB CONNECTORS
Cable ASSEMBLIES

DRAWING BY CY

CHECKED BY GENIUS

UNIT / mm

SCALE 1 : 1

DATE

SIZE A4

P PROJECTION

Up to 5 ±0.2
Above 5 ~ 15 ±0.3
Above 15 ~ 30 ±0.4
Above 30 ~ 50 ±0.5
Angle ±0.3°

照片框

煜倫股份有限公司

www.morethanall.com

ORDER INFORMATION

SLSW20-DMxxx-1X05E2-LF

SERIES | | | LEADFREE
| | | JUMPS 2 PIN
X: 05 WAY
DIP 180° 020:2.0mm
METAL SHIELD 090:9.0mm

DESCRIPTION: SLIDE SWITCH