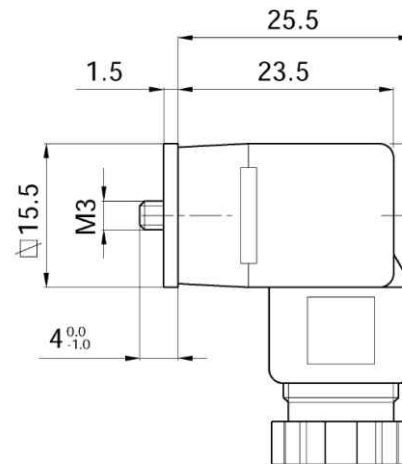
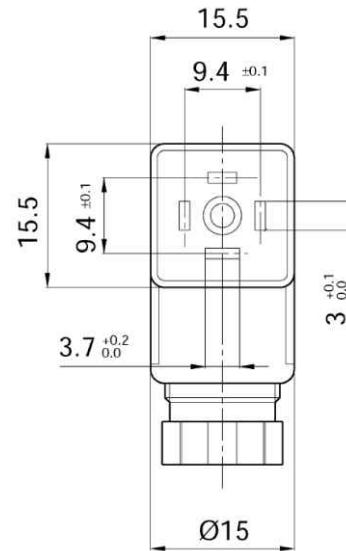


Contact spacing	9,4 mm (Industrial)
Nennspannung Rated voltage	250VAC / 300VDC
Dauerstrom Operating current	6A
Max. Strom Max. current	10A
Max. Leiterquerschnitt Max. wire gauge	1,5mm <sup>2</sup>
Kabelverschraubung Cable gland	PG7
Kabeldurchmesser Cable diameter	4-6 mm
Schutzart Protection class	IP 65 (EN 60529)
Gehäusematerial Housing material	PA + 30% GF
Kontaktmaterial Contact material	CuZn (Ag)
Dichtung (Profil=1 / Flach=2)* Gasket (profil=1 / flat=2)*	thermoplastisches Gummi
Befestigungsschraube Screw	M2.5 (DIN/EN) M3 (Industrial)
Temperaturbereich Temperature range	-40° C ... +125° C



**MORETHANALL**  
PCB CONNECTORS  
Cable ASSEMBLIES

煜倫股份有限公司

www.morethanall.com

**RoHS Compliant**

DRAWING BY CY

CHECKED BY GENIUS

UNIT / mm SCALE 1 : 1

DATE

SIZE A4

TOLERANCES ARE

X, ±  
.X ±  
.XX ±  
.XXX ±  
ANG ±

PJECTION

照片框

**ORDER INFORMATION**

SLN09-SAR-2E-LF

SERIES | | | LEADFREE  
| | | 2 POLES+EARTH  
| | | 90°  
| | | ASSEMBLY  
| | | FEMALE

DESCRIPTION: