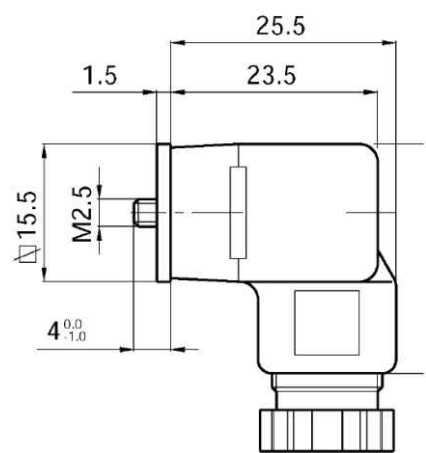
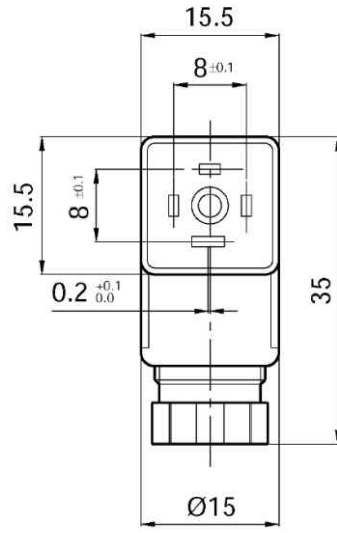


Kontaktabstand Pitch	8 mm (DIN/EN)
Nennspannung Rated voltage	250 VAC / 300 VDC
Dauerstrom Operating current	6 A
Max. Strom Max. current	10 A
Max. Leiterquerschnitt Max. wire gauge	1,5 mm ²
Kabelverschraubung Cable gland	PG7
Kabeldurchmesser Cable diameter	4-6 mm
Schutzart Protection class	IP 65 (EN 60529)
Gehäusematerial Housing material	PA + 30 % GF
Kontaktmaterial Contact material	CuZn (Ag)
Dichtung (Profil=1 / Flach=2)* Gasket (profil=1 / flat=2)*	thermoplastisches Gummi
Befestigungsschraube Screw	M2.5 (DIN/EN) M3 (Industrial)
Temperaturbereich Temperature range	-40° C ... + 125° C



RoHS Compliant

TOLERANCES ARE



DRAWING BY CY

CHECKED BY GENIUS

UNIT / mm SCALE 1 : 1

DATE

SIZE A4 PROJECTION

X, ±
.X ±
.XX ±
.XXX ±
ANG ±

煜倫股份有限公司

www.morethanall.com

照片框

ORDER INFORMATION

SLN08-SAR-2E-LF
 SERIES | | | LEADFREE
 | | | 2 POLES+EARTH
 | | | 90°
 | | | ASSEMBLY
 | | | FEMALE

DESCRIPTION: