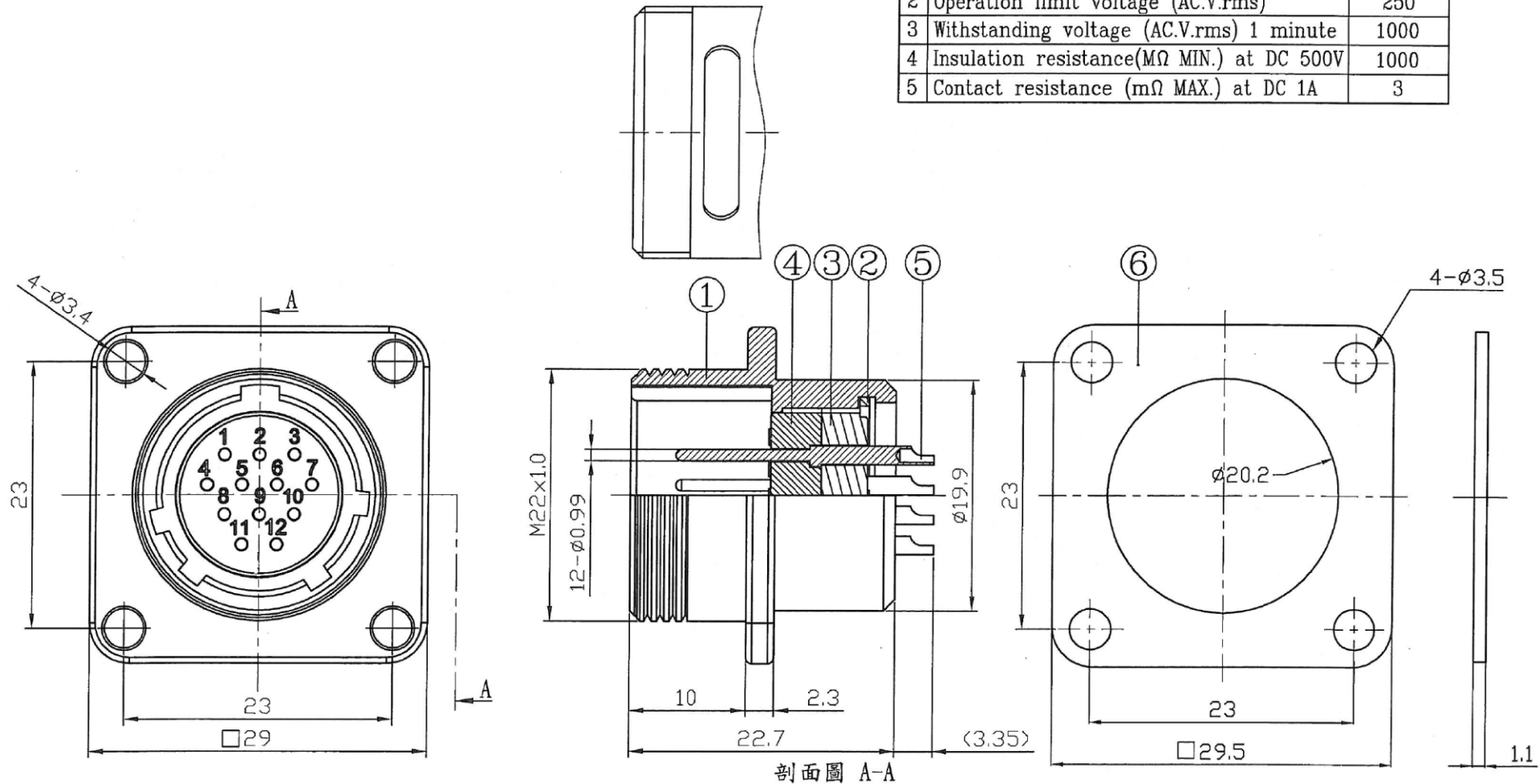


NO	品名	NAME	材質	MATL	件數	處理	TREAT	備註	REMARK
1	四角形本體	BODY	鋅合金	Zn ALLOY	1	鍍鉻	M-Cr		
2	扣環	RING	不銹鋼	SUS	1				
3	電木蓋	INSULATOR	電木	BAKELITE	1			黑色	BLACK
4	電木座	INSULATOR	電木	BAKELITE	1			黑色	BLACK

NO	品名	NAME	材質	MATL	件數	處理	TREAT
5	導針	CONTACT	銅合金	COPPER ALLOY	12	鍍銀	M-Ag
6	襯墊	PAD	橡膠	RUBBER	1		

NO.	ELECTRICAL CHARACTERISTICS	
1	Rated Current/voltage	5A 250V
2	Operation limit voltage (AC.V.rms)	250
3	Withstanding voltage (AC.V.rms) 1 minute	1000
4	Insulation resistance(MΩ MIN.) at DC 500V	1000
5	Contact resistance (mΩ MAX.) at DC 1A	3



RoHS Compliant

TOLERANCES ARE

MORETHANALL
PCB CONNECTORS
Cable ASSEMBLIES

DRAWING BY CY

X.±

CHECKED BY GENIUS

.X±

UNIT/mm

SCALE 1:1

.XXX±

DATE

ANG±

SIZE A4

PJECTION

照片框

ORDER INFORMATION

SLM22-PSPQ-12-LF

SERIES LEADFREE
12WAY
PANEL QUICK
SOLDER
MALE

煜倫股份有限公司

www.morethanall.com

DESCRIPTION: