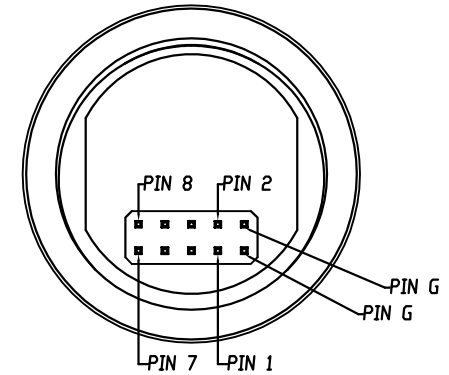
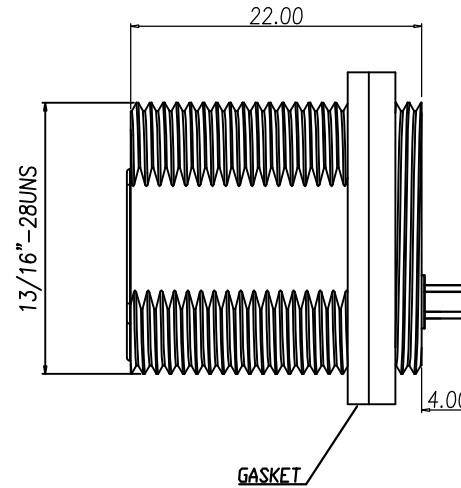
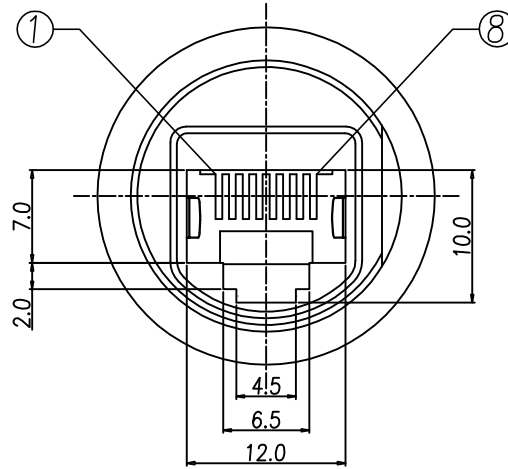


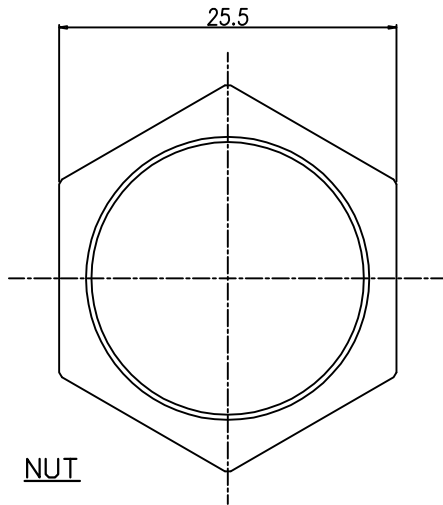
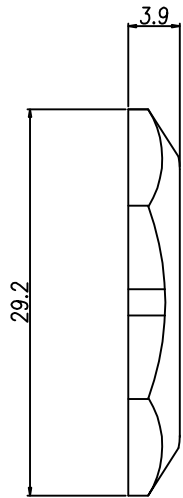
P.C.B LAYOUT (TOP VIEW)
SCALE 2:1



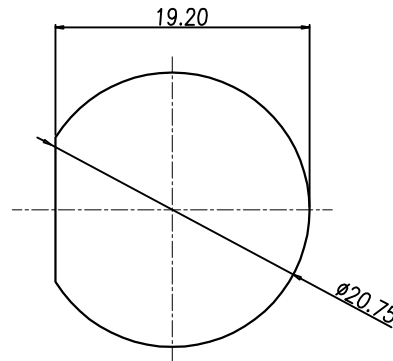
△

P.C.B LAYOUT (TOP VIEW)

SCALE 2:1



NUT



Panel Cut-Out

- △ 1. MATERIAL :
- 1-1. HOUSING : PBT UL94V-0 ; COLOR : BLACK.
 - 1-2. CONTACT : PHOSPHOR BRONZE
 - 1-3. SHELL : PA66
 - 1-4. GROUND : SUS 301
 - 1-5. GASKET : SILICONE ; COLOR : BLACK.
 - 1-6. NUT : PA66
- △ 2. FINISH :
- 2-1. CONTACT : GOLD FLASH MICRO INCHES MIN.
3. ELECTRICAL SPECIFICATION :
- 3-1. Rated current : 1.5A
 - 3-2. Rated Voltage : 125V
 - 3-3. Water proof : IPX7
4. Environmental :
- 4-1. Operation Temperature : -20℃~85℃

RoHS Compliant

TOLERANCES ARE

MORETHANALL
PCB CONNECTORS
Cable ASSEMBLIES

煜倫股份有限公司

www.morethanall.com

DRAWING BY CY

CHECKED BY GENIUS

UNIT / mm SCALE 1:1

DATE

SIZE A4

X, ±
.X ± 0.20
.XX ± 0.10
.XXX ± 0.05
ANG ± 1°

PJECTION

照片框

ORDER INFORMATION

SLKRJ-SDPBNW-0810-LF

SERIES JACK 180° LEADFREE 8P8C.DIP 10P
WASHER
NUT
BACK
PANEL

DESCRIPTION: 防水RJ45 8PIN(F)(全線型) 180度