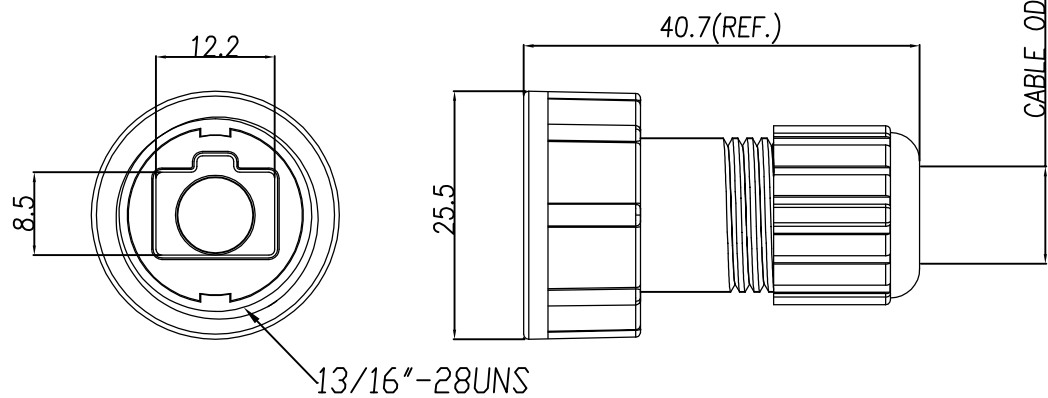
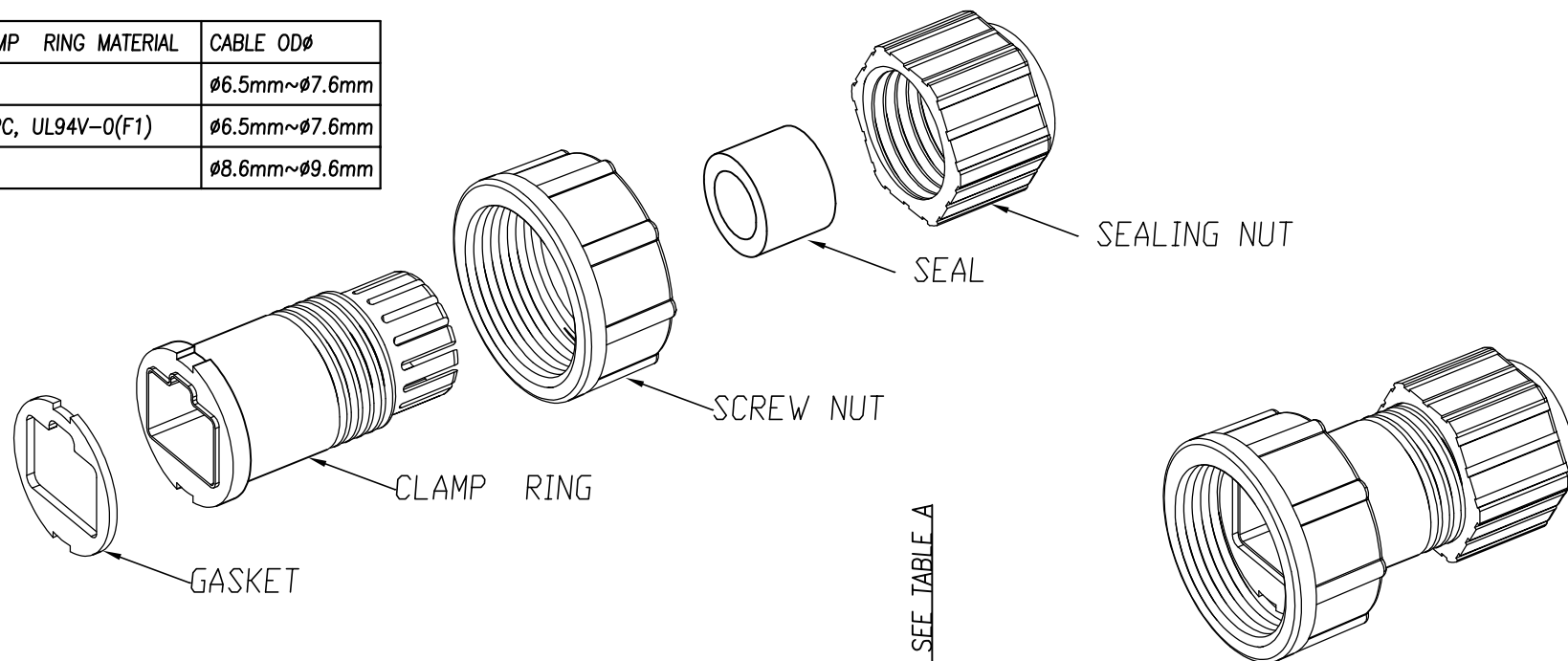


TABLE A

P/N	CLAMP RING MATERIAL	CABLE OD ϕ
SLKRJ-PAC-08D7	PA66	$\phi 6.5\text{mm} \sim \phi 7.6\text{mm}$
SLKRJ-PAC-08D7P	PBT+PC, UL94V-0(F1)	$\phi 6.5\text{mm} \sim \phi 7.6\text{mm}$
SLKRJ-PAC-08D9	PA66	$\phi 8.6\text{mm} \sim \phi 9.6\text{mm}$



CABLE OD SEE TABLE A

1. MATERIAL :
 - 1-1. GASKET : SILICONE
 - 1-2. CLAMP RING : SEE TABLE A
 - 1-3. SCREW NUT : PA66
 - 1-4. SEAL : SILICONE
 - 1-5. SEALING NUT : PA66
2. ELECTRICAL SPECIFICATION :
 - 1-1. Water proof : IP67

RoHS Compliant

TOLERANCES ARE



DRAWING BY CY		X, \pm .X \pm 0.20 .XX \pm 0.10 .XXX \pm 0.05 ANG \pm 1°
CHECKED BY GENIUS		
UNIT / mm	SCALE 1 : 1	
DATE		

煜倫股份有限公司

www.morethanall.com

SIZE A4 PPROJECTION



ORDER INFORMATION

SLKRJ-PAC-08Dx-LF			
SERIES	MALE	ASSEMBLY	COVER
		08 WAY	
			LEADFREE
			D7:OD6.5-7.6 ϕ
			D7P:OD6.5-7.6 ϕ /PBT+PC
			D9:OD8.6-9.6 ϕ

DESCRIPTION: 13/16"-28UNS RJ45 ASSEMBLY TYPE