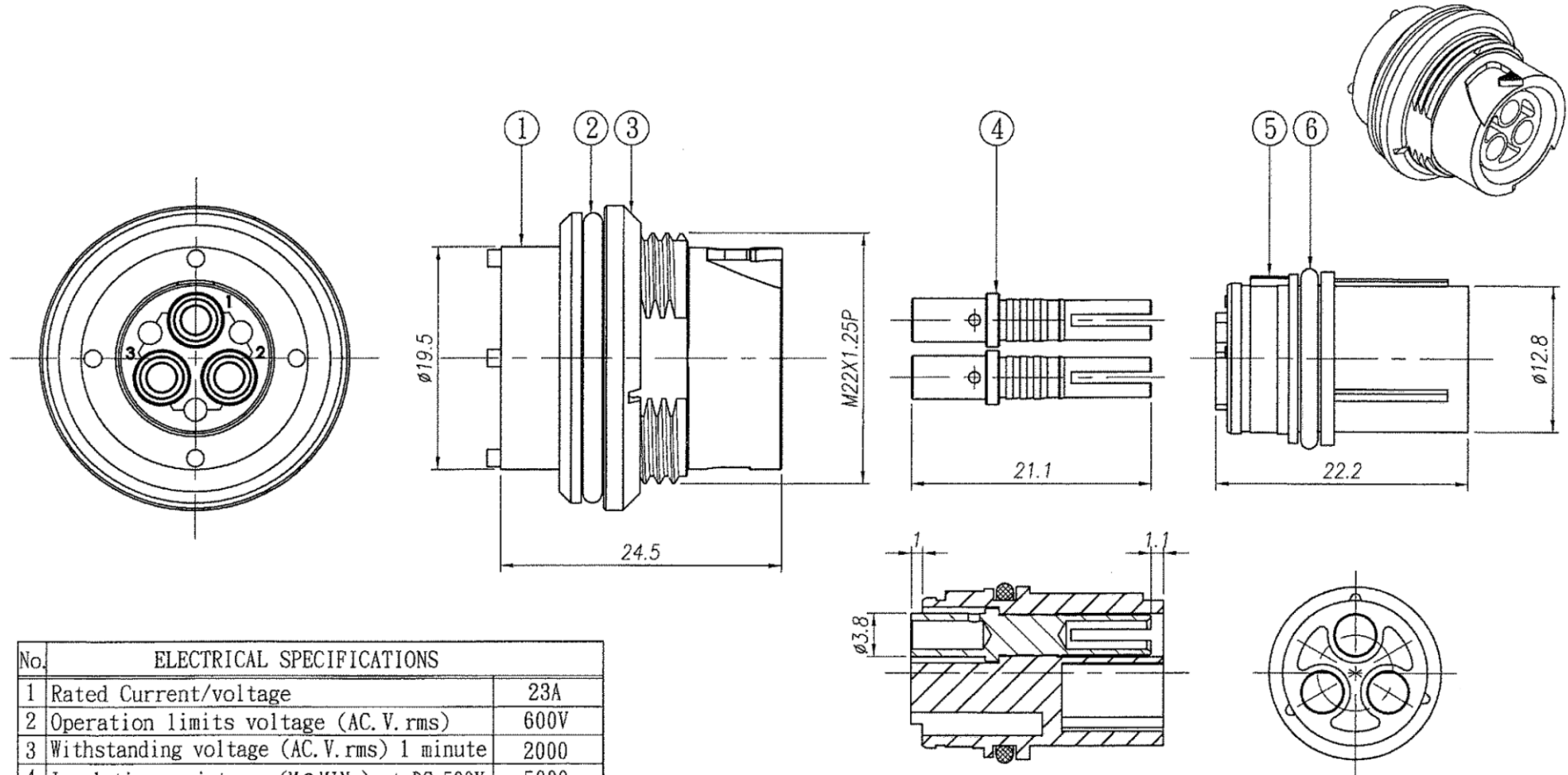


NO	名稱 NAME	材質 MATL	件數 SHT	處理 TREAT	備註 REMARK	NO	名稱 NAME	材質 MATL	件數 SHT	處理 TREAT	備註 REMARK
1	固定體 BODY	PLASTIC	1	黑色 BLACK	———	4	導銷 CONTACT	COPPER ALLOY	3	鍍金 M-Au	附件
2	O型環 O-RING	RUBBER	1	黑色 BLACK	ID 22x1.5W	5	絕緣體 INSULATOR	PLASTIC	1	黑色 BLACK	兩者組裝後成
3	固定螺帽 NUT	SUS 303	1	-	———	6	O型環 O-RING	RUBBER	1	黑色 BLACK	附件



No.	ELECTRICAL SPECIFICATIONS	
1	Rated Current/voltage	23A
2	Operation limits voltage (AC V.rms)	600V
3	Withstanding voltage (AC V.rms) 1 minute	2000
4	Insulation resistance (MΩMIN.) at DC 500V	5000
5	Contact resistance (mΩMAX.) at DC 1A	3

RoHS Compliant

TOLERANCES ARE

MORETHANALL
PCB CONNECTORS
Cable ASSEMBLIES

DRAWING BY CY

CHECKED BY GENIUS

UNIT / mm SCALE 1 : 1

DATE

SIZE A4

X, ±
.X ±
.XX ±
.XXX ±
ANG ±

P PROJECTION

照片框

ORDER INFORMATION

SLK2L-SSPBNO-03-LF

SERIES | | | | | LEADFREE
| | | | | 03 WAY
| | | | | RING
| | | | | NUT
FEMALE | | | | | PANEL BACK
| | | | | SOLDER

煜倫股份有限公司

www.morethanall.com

DESCRIPTION: