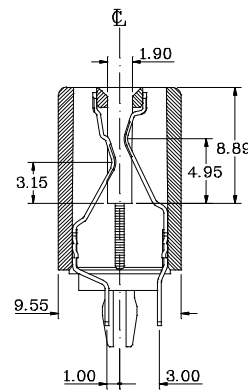


◆ Material

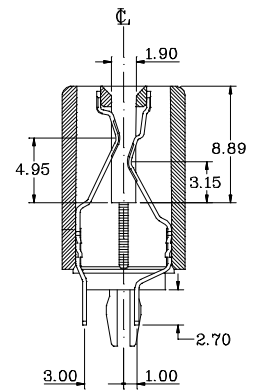
Body High Temperature Thermoplastic,
Polyphenylene Sulfide (P.P.S.)
Rated UL 94V-0. Color Brown.
Contacts Phosphor Bronze.
Retention Clip Copper Alloy.
Contact Plating Gold Plating Over Nickel On Contact
Area Tin/Lead Plating On Terminal.

◆ Mechanical

Contact Resistance 15 Milliohms Max. In Initial.
Insulation Resistance 1000 Megohms Min.
Withstanding Voltage 500 VAC. 1 Minute.
Current Rating 1 Ampere.
Insertion Force 100 Grams Max.
Withdrawal Force 15 Grams Min.
Retention Force 1 LB. Min.
Capacitance 2 pF Max.



Section X-X



Section Y-Y



PART NO. **SL1-D-242**
DWG NO. **SL1-D-242**

CHECKED BY **CY**
DRAWING BY

TOLERANCES ARE
.X ± 0.38
.XX ± 0.25
.XXX ±
AWG

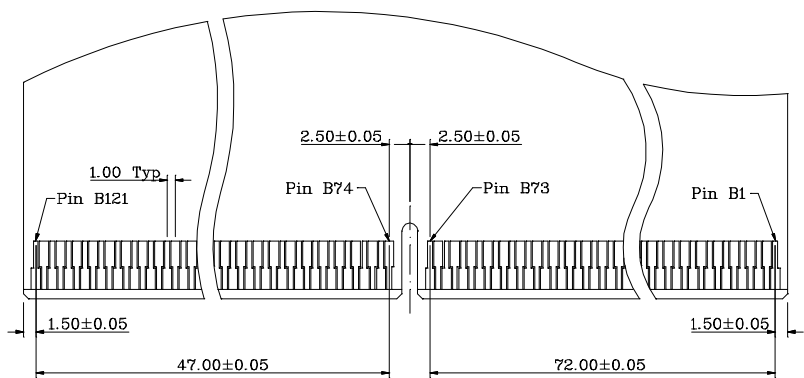
DESCRIPTION: **SLOT 1 242 Pins Connectors**

煜倫有限公司

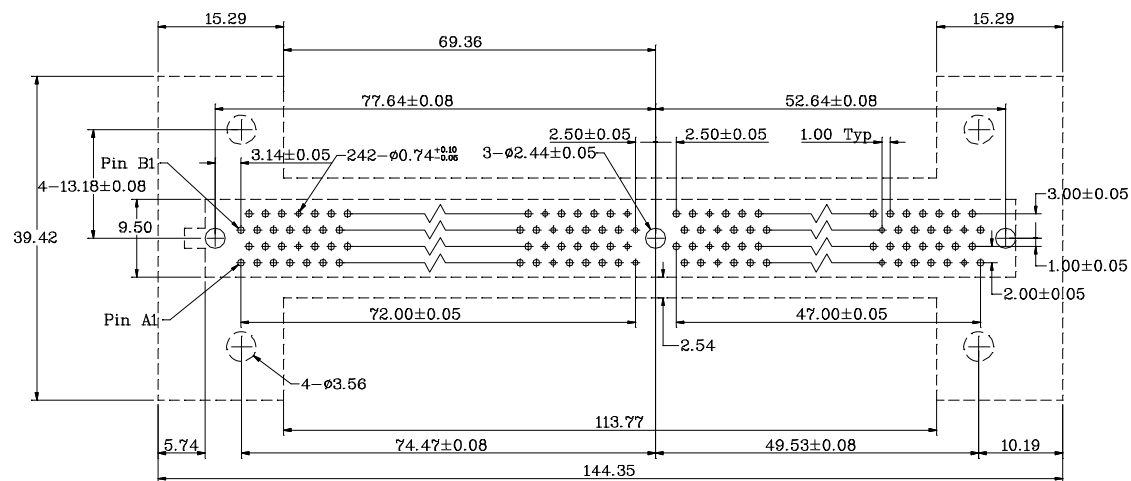
UNIT / mm SCALE 1:1

PROJECTION

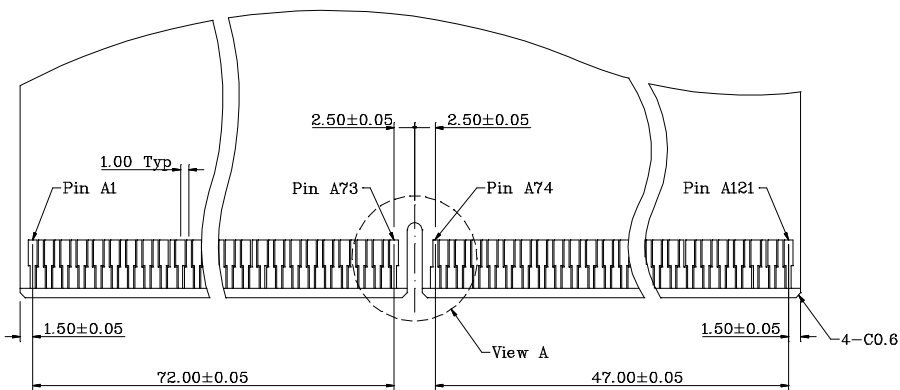
AREA	REVISIONS	HK	DATE
------	-----------	----	------



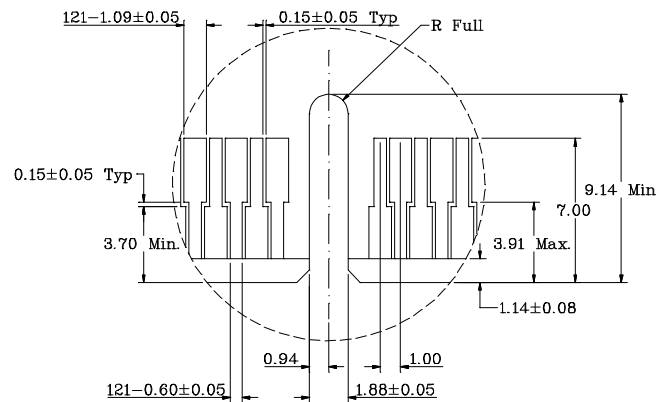
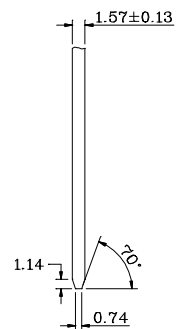
Daughter Card Requirements
(Secondary Side Shown)



P.C. Board Layout



Daughter Card Requirements
(Primary Side Shown)



View A

MORETHANALL
CONNECTORS
ASSEMBLIES

煜倫有限公司

PART NO. SL1-D-242	
DWG NO. SL1-D-242	
FILE NO.	
UNIT / mm	SCALE 1:1

CHECKED BY	CY
DRAWING BY	
PROJECTION	

TOLERANCES ARE
.X ±
.XX ±
.XXX ±
AWG

DESCRIPTION:	SLOT 1 242 Pins Connectors			
AREA	REVISIONS	HK	DATE	