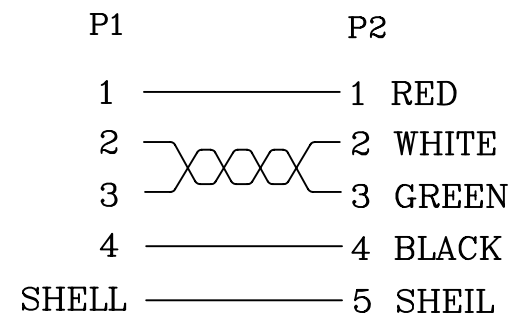


P1.

P2.

SHUB-054A28-A70C-LF
LEADFREE
RoHS Compliant

WIRING DIAGRAM



NO.	PART NO.	Q'TY	UNITS	DESCRIPTION
4	TERMINAL	5	PCS	SH-T-28
3	HOUSING	1	SET	SH-H-05
2	CONNE.	1	SET	USB A TYPE MALE 3U" WHITE(LD)
1	CABLE	700	mm	UL2725 28AWG*1P+28AWG*2C+AEB(64/0.10) OD:3.5±0.15mm #BLACK (LD) (VENDER FOR UL2725 USB2.0 APPROVED)



PART NO. SHUB-054A28-A70C

DWG NO. SHUB-054A28-A70C

FILE NO.

CHECKED BY CY

DRAWING BY

TOLERANCES ARE
.X ± 0.2
.XX ±
.XXX ±
AWG

DESCRIP TION: USB A M/1.0 SH 5P L:700mm BLACK

煜倫股份有限公司

UNIT / mm

SCALE 1:1

PROJECTION

AREA

REVISIONS

HK

DATE