

YXM-006

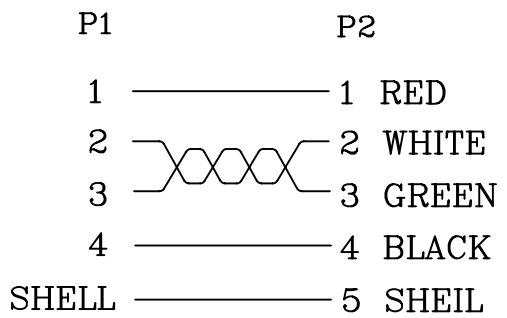
P1.

P2.

SHUB-054A-A70C-LF
LEADFREE

RoHS Compliant

WIRING DIAGRAM



4	TERMINAL	5	PCS	JST1.0-TP (LD)
3	HOUSING	1	SET	JST1.0-5PH (LD)
2	CONNE.	1	SET	USB A TYPE MALE 3U" WHITE(LD)
1	CABLE	700	mm	UL2725 28AWG*1P+28AWG*2C+AEB(64/0.10) OD:3.5±0.15mm #BLACK (LD) (VENDER FOR UL2725 USB2.0 APPROVED)
NO.	PART NO.	Q'TY	UNITS	DESCRIPTION



PART NO. SHUB-054A-A70C

DWG NO. SHUB-054A-A70C

FILE NO.

CHECKED BY CY

DRAWING BY

TOLERANCES ARE
.X ± 0.2
.XX ±
.XXX ±
AWG

DESCRIP TION: USB A M/1.0 SH 5P L:700mm BLACK

煜倫股份有限公司

UNIT / mm SCALE 1:1

PROJECTION

AREA	REVISIONS	HK	DATE
------	-----------	----	------