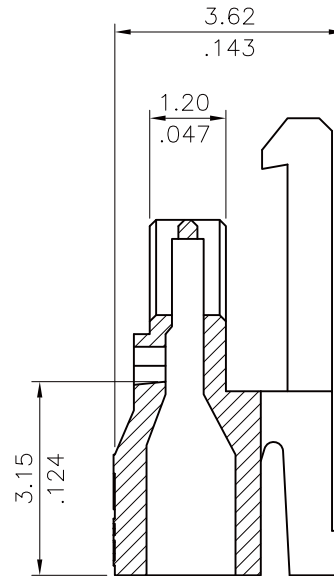
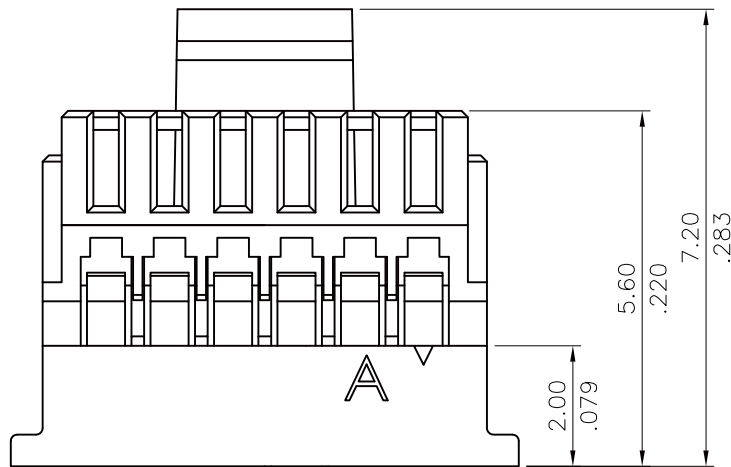


Material:  
 NYLON 66 UL 94V-0,  
 Color Nature



DIM. A = 1.00 x NO. OF SPACES  
 DIM. B = DIM. A + 2.00  
 DIM. C = DIM. A + 1.50  
 \* AVAILABLE IN 2 THROUGH 20

RoHS Compliant

TOLERANCES ARE

**MORETHANALL**  
 PCB CONNECTORS  
 Cable ASSEMBLIES

煜倫股份有限公司

www.morethanall.com

DRAWING BY CY

CHECKED BY GENIUS

UNIT / mm

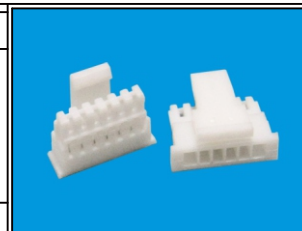
SCALE 1 : 1

DATE

SIZE A4

PJECTION

X. ±  
 .X ± 0.25  
 .XX ± 0.15  
 .XXX ± 0.08  
 ANG ±



ORDER INFORMATION

SHL1-H-xx-LF  
 SERIES | T LEADFREE  
 | 02~20 WAY  
 HOUSING

DESCRIPTION: