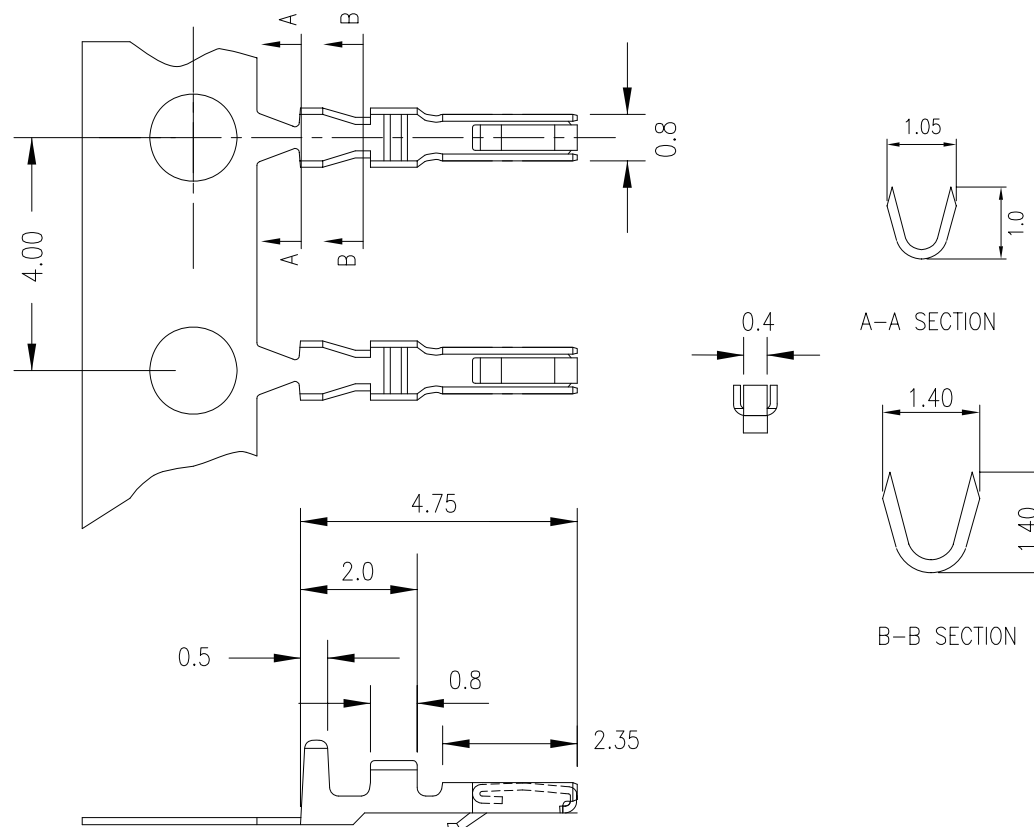


■ TERMINAL

- Material: Phos. bronze
- Thickness: 0.12mm
- Plating: Tin plated
- Wire Range: Suitable for AWG#28~32
- Insulation O.D: 0.75mm (max)
- Q'TY: 15,000 pcs/reel



Ordering Information

Part No.	Wire Range	Insulation O.D.	Material	Finish	Q'ty/reel	Note
SHL-T-28	AWG #28~32	0.75mm (max)	Phos. bronze	Tin plated	15,000 pcs	

RoHS Compliant

TOLERANCES ARE

MORETHANALL
PCB CONNECTORS
Cable ASSEMBLIES

煜倫股份有限公司

www.morethanall.com

DRAWING BY CY

CHECKED BY GENIUS

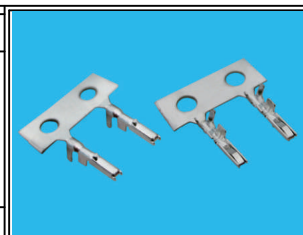
UNIT/mm SCALE 1:1

DATE

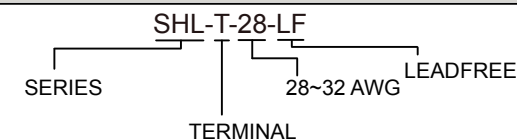
SIZE A4

PROJECTION

X. ±
.X ±
.XX ±
.XXX ±
ANG ±



ORDER INFORMATION



DESCRIPTION: