

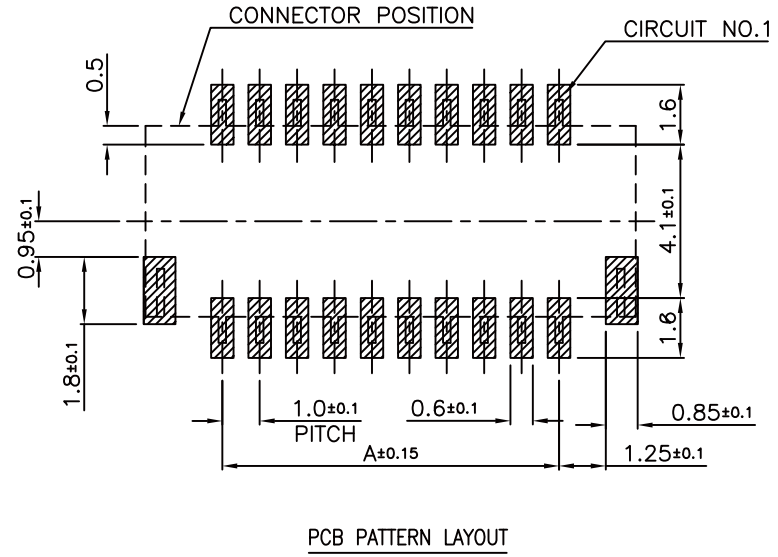
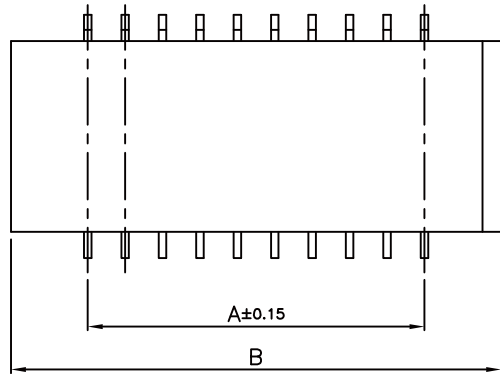
NOTES:



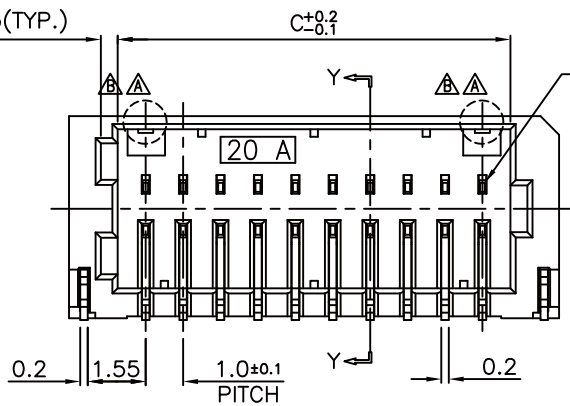
1.MATERIAL:

HOUSING:Pls see P/N LEGEND  
 TERMINAL:COPPER ALLOY  
 FITTING NAIL:COPPER ALLOY

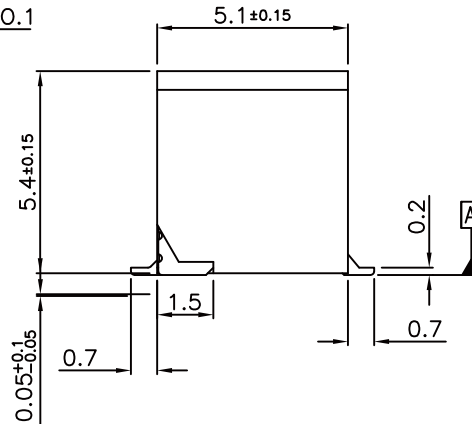
2.COPLANARITY 0.1 MM MAX. BASE ON DATUM A  
 Gold Flash over all(Lead Free)



△ 0.45(TYP.)



CIRCUIT NO.1



CKT	Dim A	Dim B	Dim C	狀態欄
△ 8	3.0	7.1	4.5	v
△ 10	4.0	8.1	5.5	v
△ 12	5.0	9.1	6.5	v
△ 16	7.0	11.1	8.5	v
△ 18	8.0	12.1	9.5	v
△ 20	9.0	13.1	10.5	v
△ 24	11.0	15.1	12.5	v
△ 30	14.0	18.1	15.5	v
△ 34	16.0	20.1	17.5	v
△ 40	19.0	23.1	20.5	v
△ 50	24.0	28.1	25.5	v
△ 60	29.0	33.1	30.5	v

RoHS Compliant

TOLERANCES ARE

**MORETHANALL**  
 PCB CONNECTORS  
 Cable ASSEMBLIES

煜倫股份有限公司

www.morethanall.com

DRAWING BY CY

CHECKED BY GENIUS

UNIT/mm

SCALE 1:1

DATE

SIZE A4

P PROJECTION

X. ± 0.50  
 X. ± 0.25  
 .XX ± 0.15  
 .XXX ± 0.10  
 ANG ± 2°

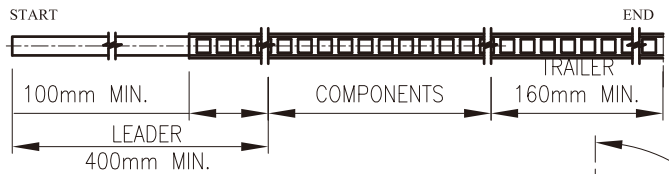
照片框

ORDER INFORMATION

SHD-WXGR-xx-LF

SERIES | | | | LEADFREE  
 08-60WAY  
 REEL  
 GOLD/PLATED  
 NON POST  
 90°SMT

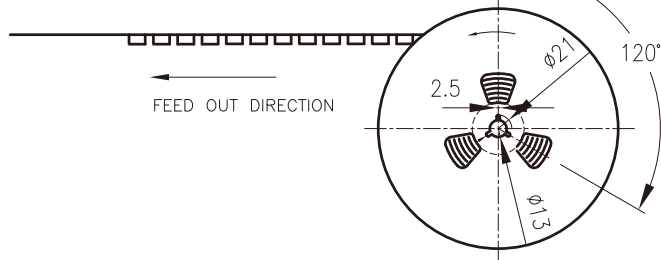
DESCRIPTION: 1.0mm WTB WAFER SMT R/A D/R TYPE



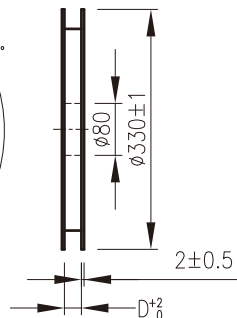
LEADER  
400mm MIN.

COMPONENTS

TRAILER  
160mm MIN.

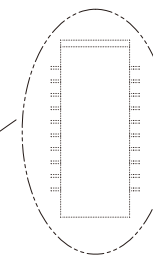
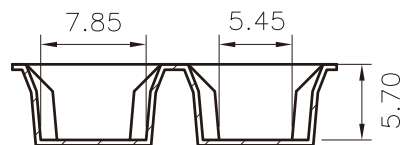
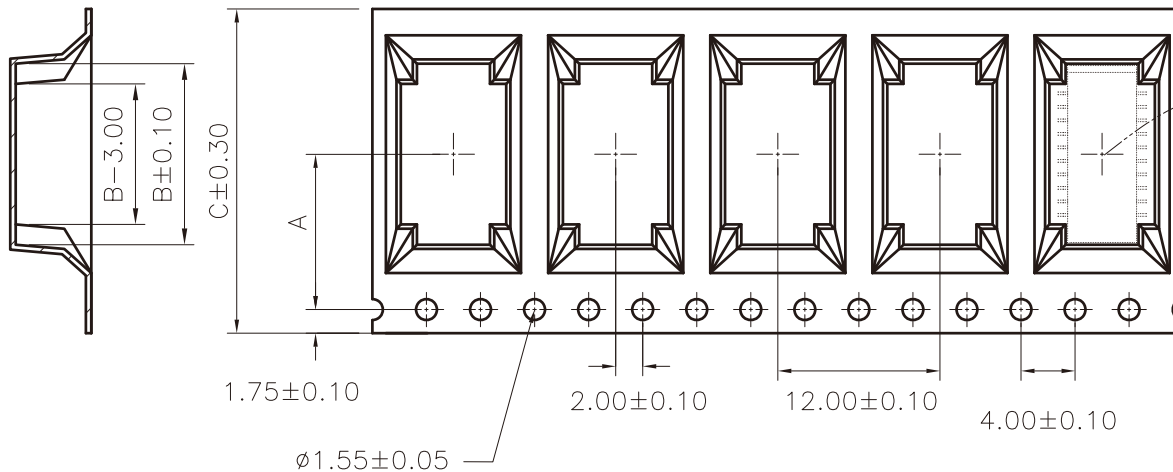


FEED OUT DIRECTION



	$\triangle G$	$\triangle B$	$\triangle A$	$\triangle A$	$\triangle B$	$\triangle A$
C.K.T	8	10	12	16	18	20
A	11.50					
B	7.45	8.45	9.45	11.45	12.45	13.45
C	24.00					
D	24.40					

1. Thickness :  $0.35 \pm 0.05$ mm.
2. Packing length per 13" reel : 11.8 Meters.
3. Component load per 13" reel : 900 pcs.



RoHS Compliant

TOLERANCES ARE

**MORETHANALL**  
PCB CONNECTORS  
Cable ASSEMBLIES

DRAWING BY CY

CHECKED BY GENIUS

UNIT/mm SCALE 1:1

DATE

SIZE A4

X.  $\pm 0.50$   
X.  $\pm 0.25$   
.XX  $\pm 0.15$   
.XXX  $\pm 0.10$   
ANG  $\pm 2^\circ$

P PROJECTION

照片框

ORDER INFORMATION

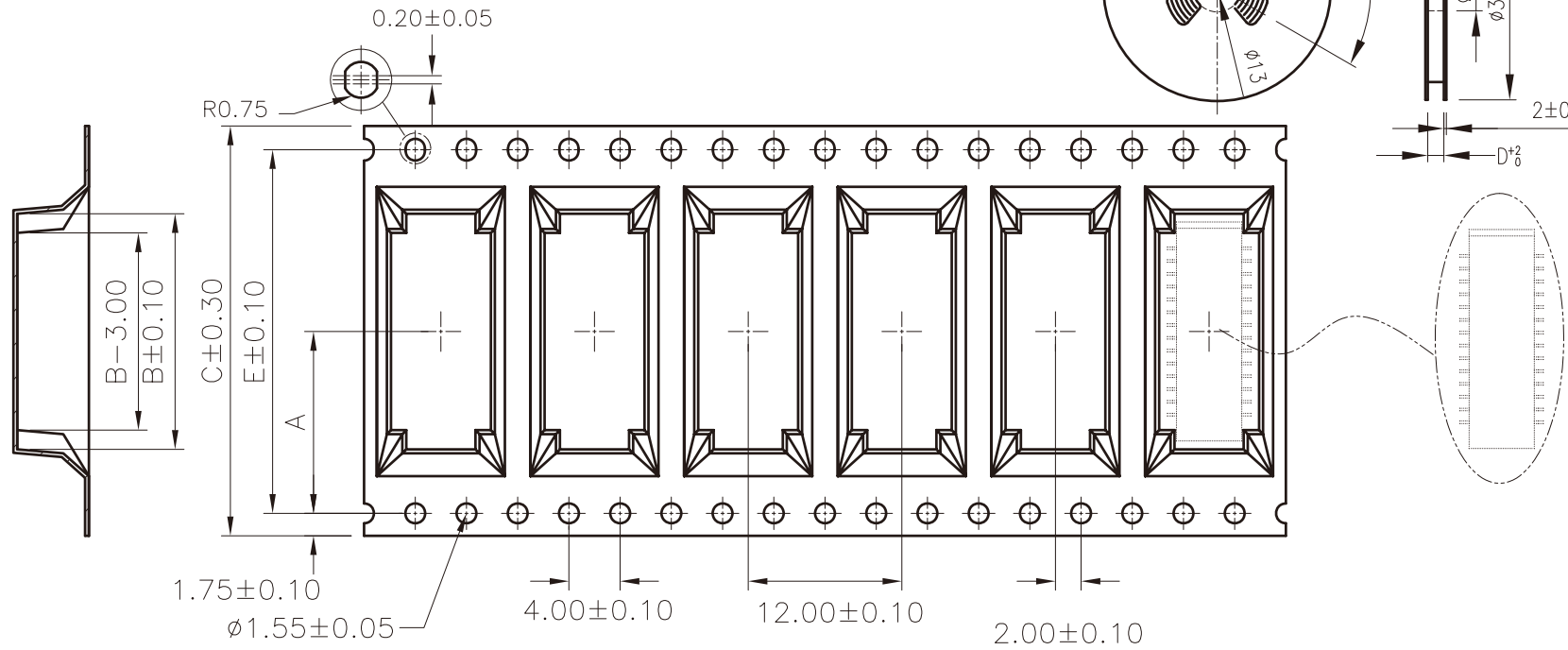
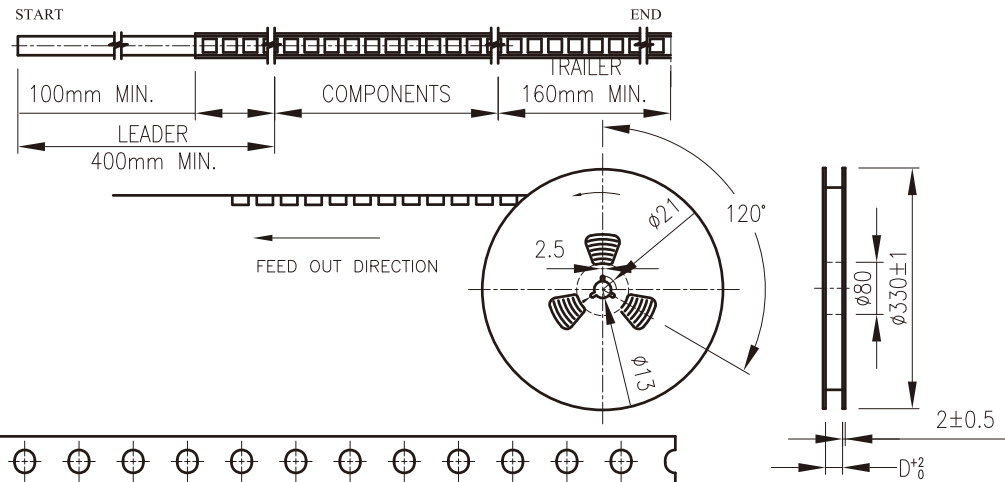
SHD-WXGR-xx-LF  
SERIES | | | | | LEADFREE  
08-60WAY  
REEL  
GOLD/PLATED  
NON POST  
90°SMT

DESCRIPTION:

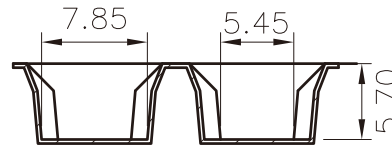
煜倫股份有限公司

www.morethanall.com

CKT.	24	30	34	40	50	60
A	14.20±0.10		20.20±0.15		26.20±0.15	
B	15.45	18.45	20.45	23.45	28.45	33.45
C	32.00		44.00		56.00	
D	32.40		44.40		56.40	
E	28.40		40.40		52.40	



1. Thickness : 0.35±0.05mm.
2. Packing length per 13" reel : 11.8 Meters.
3. Component load per 13" reel : 900 pcs.



**MORETHANALL**  
PCB CONNECTORS  
Cable ASSEMBLIES

煜倫股份有限公司

www.morethanall.com

**RoHS Compliant**

DRAWING BY CY

CHECKED BY GENIUS

UNIT/mm SCALE 1:1

DATE

SIZE A4

TOLERANCES ARE

X. ± 0.50  
.X ± 0.25  
.XX ± 0.15  
.XXX ± 0.10  
ANG ± 2°

PJECTION

照片框

**ORDER INFORMATION**

**SHD-WXGR-xx-LF**

SERIES | | | | LEADFREE  
08-60WAY  
REEL  
GOLD/PLATED  
NON POST  
90°SMT

DESCRIPTION: