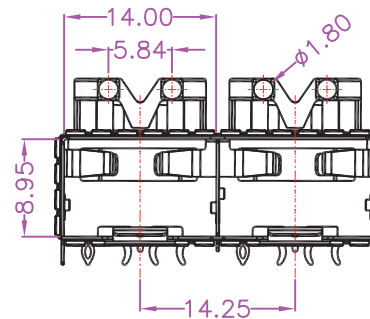
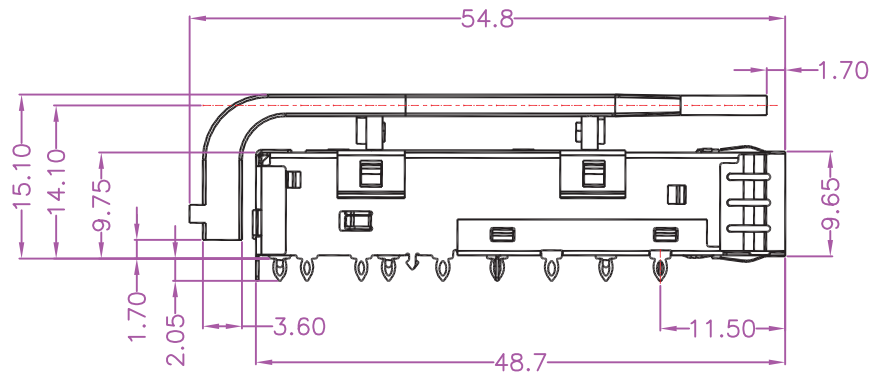


MATERIALS

METAL SHIELD: COPPER ALLOY

SPRING: COPPER ALLOY

LIGHT PIPE: PC



RoHS Compliant

TOLERANCES ARE

**MORETHANALL**  
PCB CONNECTORS  
Cable ASSEMBLIES

煜倫股份有限公司

www.morethanall.com

DRAWING BY CY

CHECKED BY GENIUS

UNIT / mm

SCALE 1 : 1

DATE

SIZE A4

X, ± 0.40

.X, ± 0.30

.XX, ± 0.20

.XXX, ± 0.10

ANG ±

PJECTION

照片框

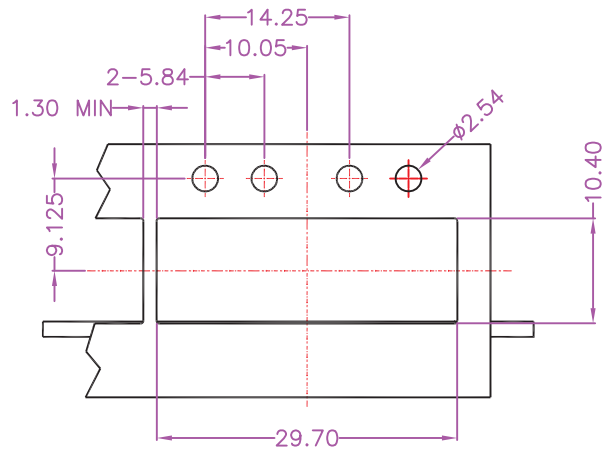
ORDER INFORMATION

SFPA2-SCQLP2-20-LF

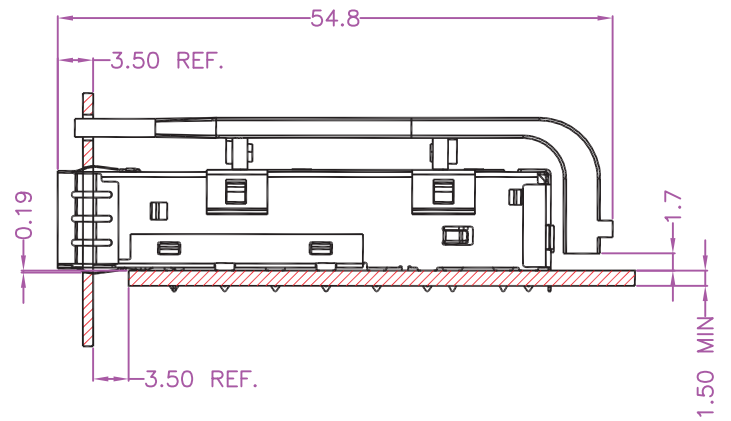
SERIES

LEADFREE  
20 WAY  
LIGHT PIPE  
90° PRESS FIT  
CAGE  
FEMALE

DESCRIPTION: SFP+ 1x2 CAGE, R/A, METAL SHIELD, PRESS FIT TYPE WITH SPRING & LIGHT PIPE

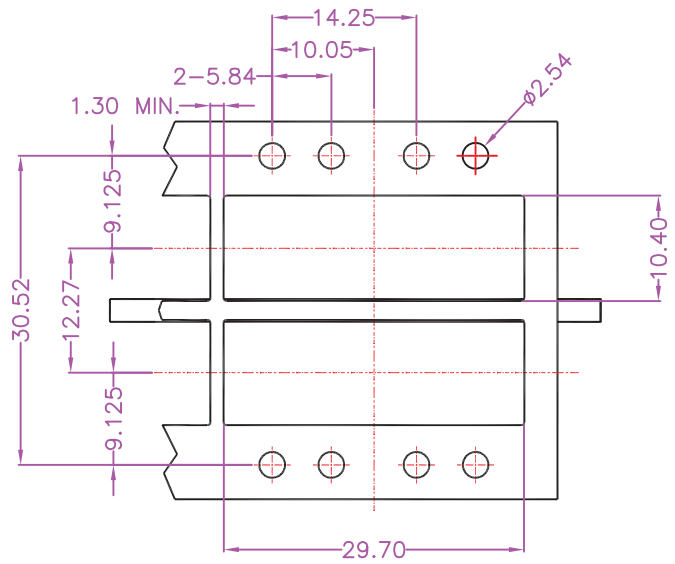


RECOMMENDED PANEL CUTOUT AND PC BOARD  
PANEL POSITION AND THICKNESS 0.8-2.6

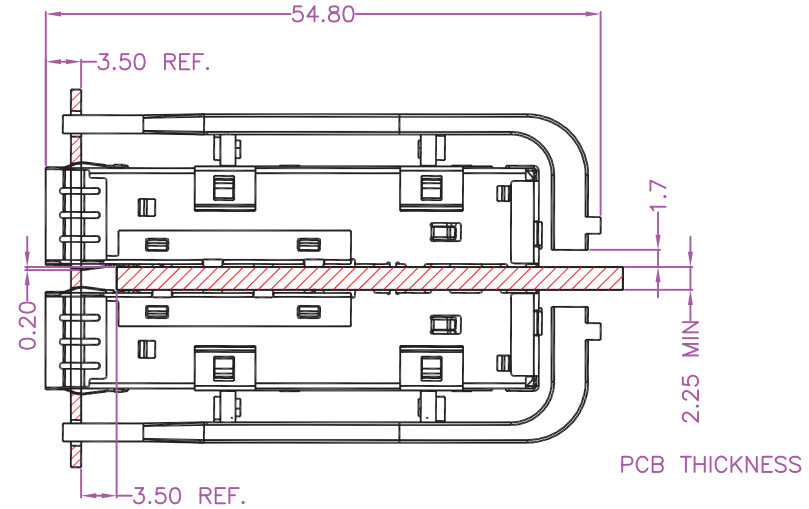


BEZEL OPENING  
BELOW TOP OF PCB

PCB THICKNESS



RECOMMENDED PANEL CUTOUT AND PC BOARD  
PANEL POSITION AND THICKNESS 0.8-2.6



BEZEL OPENING  
BELOW TOP OF PCB

PCB THICKNESS



煜倫股份有限公司

www.morethanall.com

RoHS Compliant

TOLERANCES ARE

DRAWING BY	CY	X, ± 0.40
CHECKED BY	GENIUS	.X ± 0.30
UNIT / mm	SCALE 1 : 1	.XX ± 0.20
DATE		.XXX ± 0.10
		ANG ±

SIZE A4

PJECTION

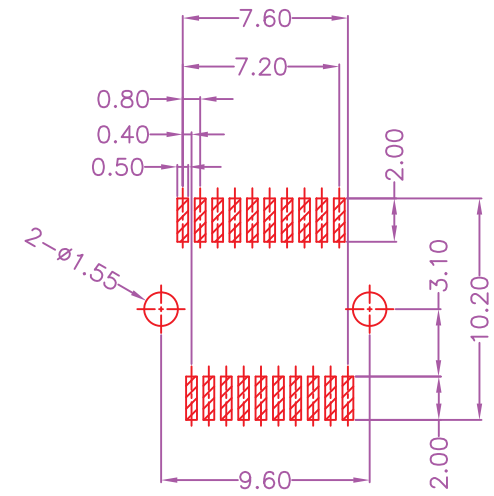
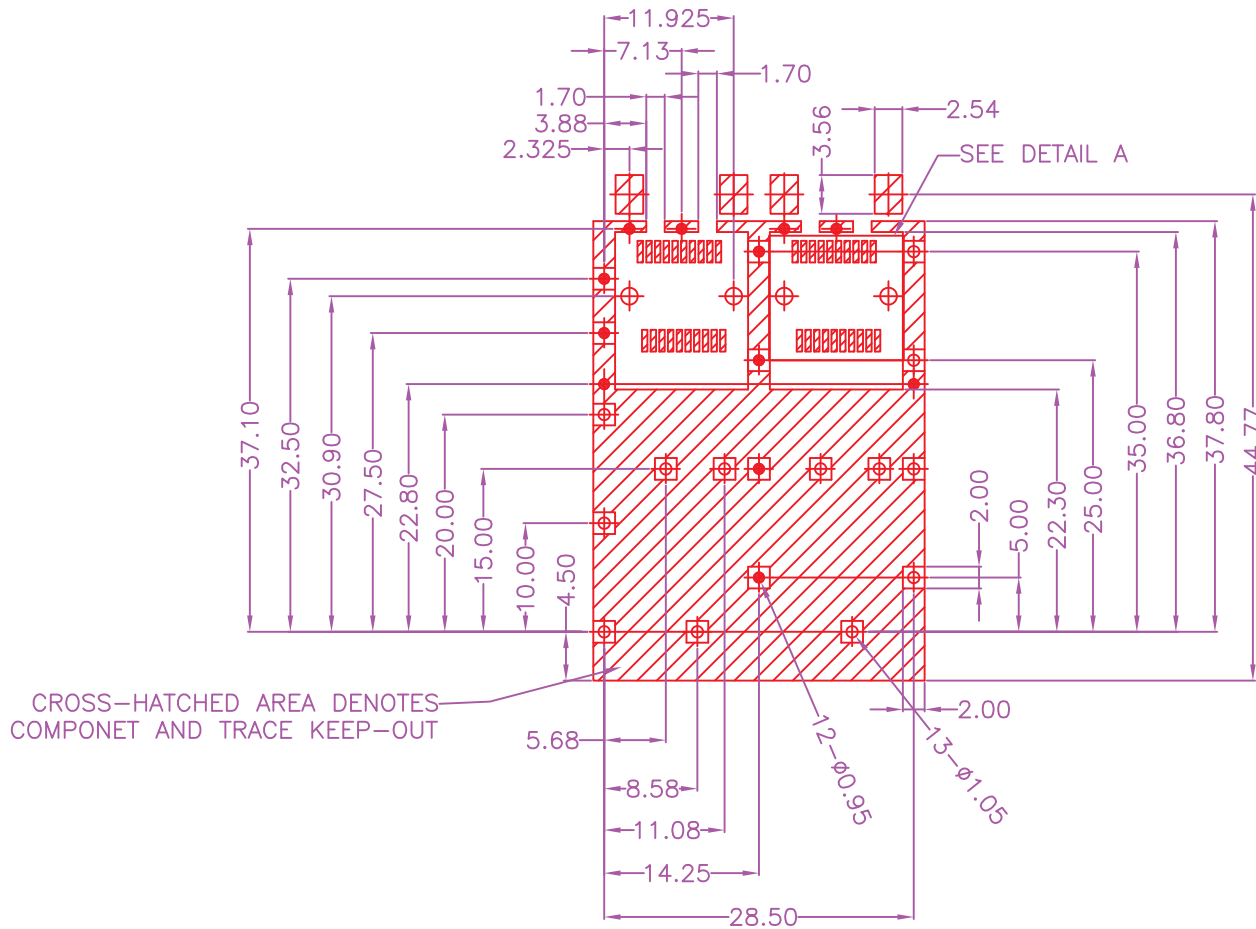


ORDER INFORMATION

SFPA2-SCQLP2-20-LF

SERIES	LEADFREE
	20 WAY
	LIGHT PIPE
	90° PRESS FIT
CAGE	
FEMALE	

DESCRIPTION: SFP+ 1x2 CAGE, R/A, METAL SHIELD, PRESS FIT TYPE WITH SPRING & LIGHT PIPE



NOTE:   13- $\phi$ 1.05  
• 12- $\phi$ 0.95

P.C.B. LAYOUT  
TOP VIEW  $\pm 0.05$

**RoHS Compliant**

TOLERANCES ARE

**MORETHANALL**  
PCB CONNECTORS  
Cable ASSEMBLIES

DRAWING BY CY

X  $\pm$  0.40

CHECKED BY GENIUS

.X  $\pm$  0.30

UNIT / mm

SCALE 1 : 1

.XX  $\pm$  0.20

DATE

.XXX  $\pm$  0.10

ANG  $\pm$

煜倫股份有限公司

www.morethanall.com

SIZE A4

PPOJECTION

TEK

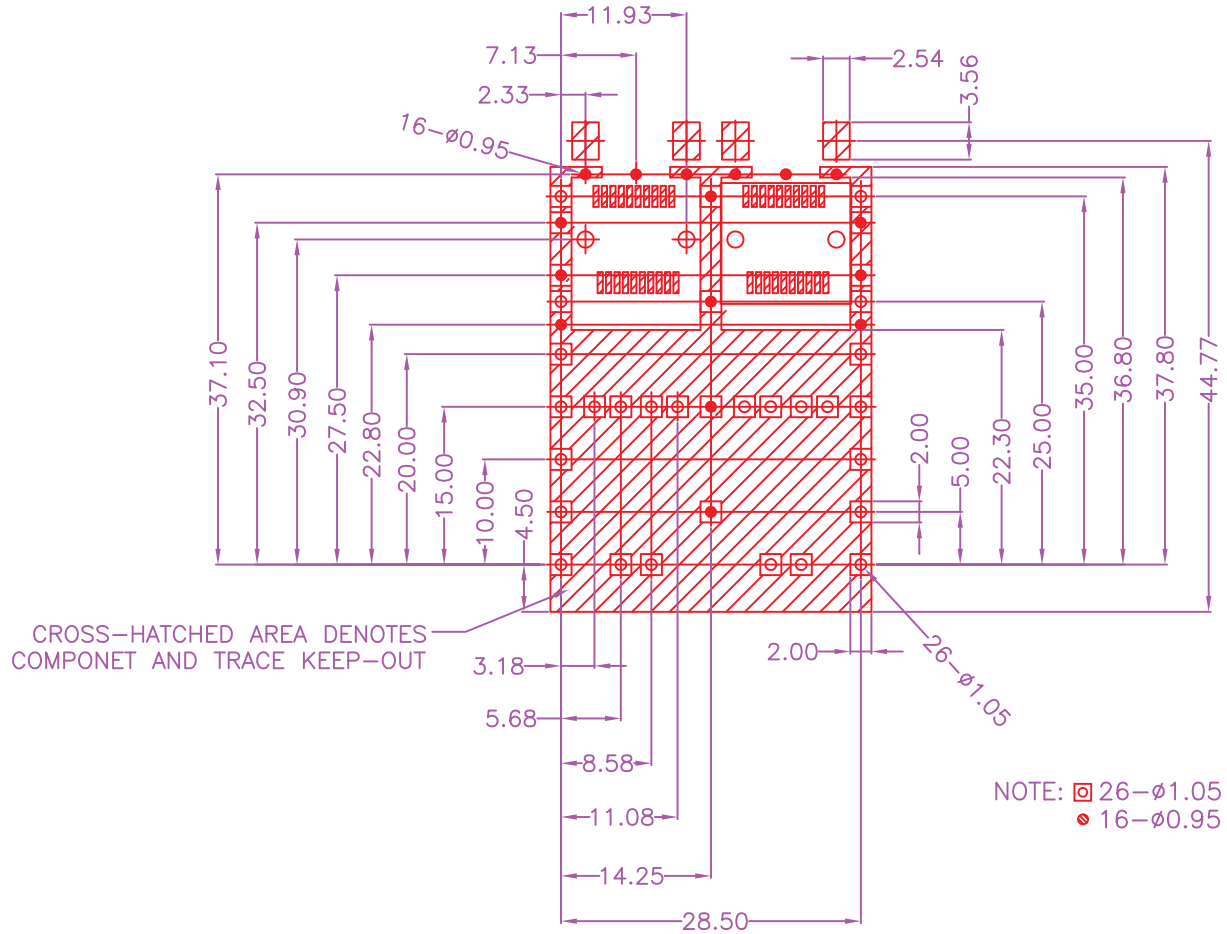
ORDER INFORMATION

SFPA2-SCQLP2-20-LF

SERIES | | | | |  
LEADFREE  
20 WAY  
LIGHT PIPE  
90° PRESS FIT  
CAGE  
FEMALE

DESCRIPTION: SFP+ 1x2 CAGE, R/A, METAL SHIELD, PRESS FIT TYPE WITH SPRING & LIGHT PIPE

BELLY TO BELLY



P.C.B. LAYOUT  
TOP VIEW ±0.05

RoHS Compliant

TOLERANCES ARE

**MORETHANALL**  
PCB CONNECTORS  
Cable ASSEMBLIES

DRAWING BY CY

X. ± 0.40

CHECKED BY GENIUS

.X ± 0.30

UNIT / mm

SCALE 1 : 1

.XXX ± 0.10

DATE

ANG ±

SIZE A4

PPOJECTION

煜倫股份有限公司

www.morethanall.com

天 辰

ORDER INFORMATION

SFPA2-SCQLP2-20-LF

SERIES

LEADFREE  
20 WAY  
LIGHT PIPE  
90° PRESS FIT  
CAGE  
FEMALE

DESCRIPTION: SFP+ 1x2 CAGE, R/A, METAL SHIELD, PRESS FIT TYPE WITH SPRING & LIGHT PIPE