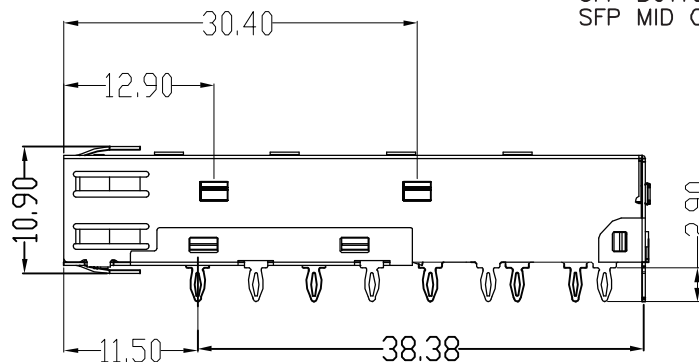


DESCRIPTION	
SFP 1X2 CAGE (Press-fit)	NICKLE PLATING(30u" Min) W/O LOGO

NOTE:

1, DESCRIPTION	Q'ty	MATERIAL
SFP TOP CAGE	1PCS	COPPER ALLOY T=0.25
SFP BOTTOM CAGE	1PCS	COPPER ALLOY T=0.25
SFP MID CAGE	1PCS	COPPER ALLOY T=0.25



RoHS Compliant

TOLERANCES ARE

MORETHANALL
PCB CONNECTORS
Cable ASSEMBLIES

DRAWING BY CY

CHECKED BY GENIUS

UNIT/mm SCALE 1:1

DATE

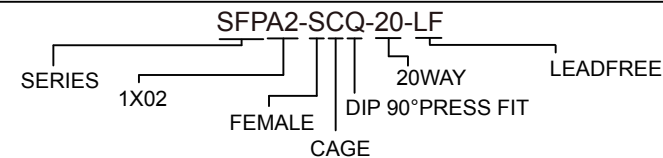
SIZE A4

X, ±
.X ± 0.25
.XX ± 0.20
.XXX ± 0.10
ANG ±

P PROJECTION

照片框

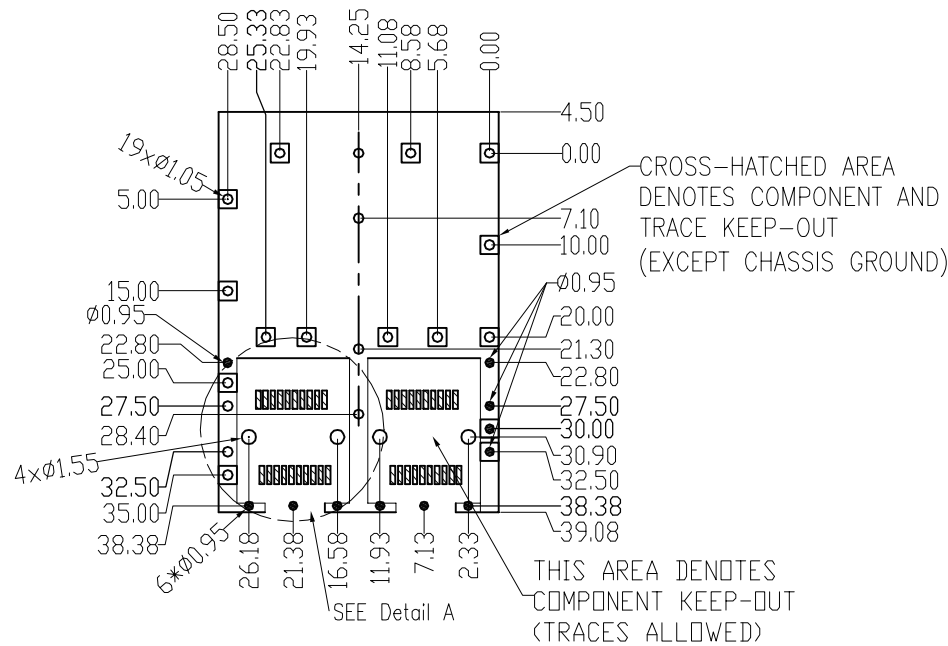
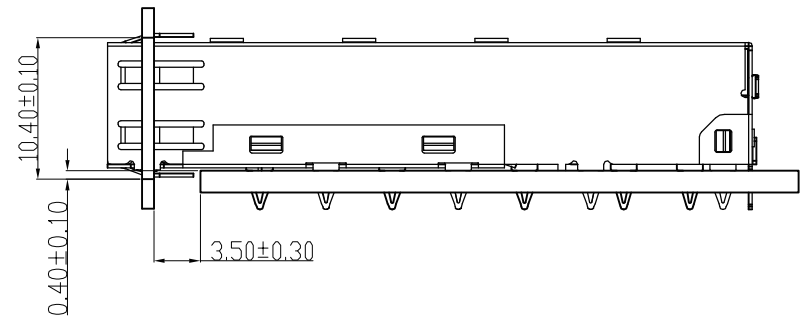
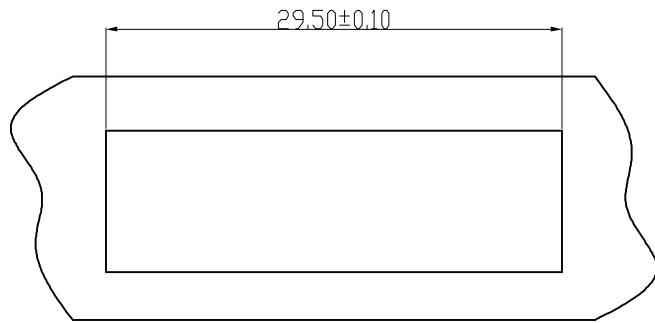
ORDER INFORMATION



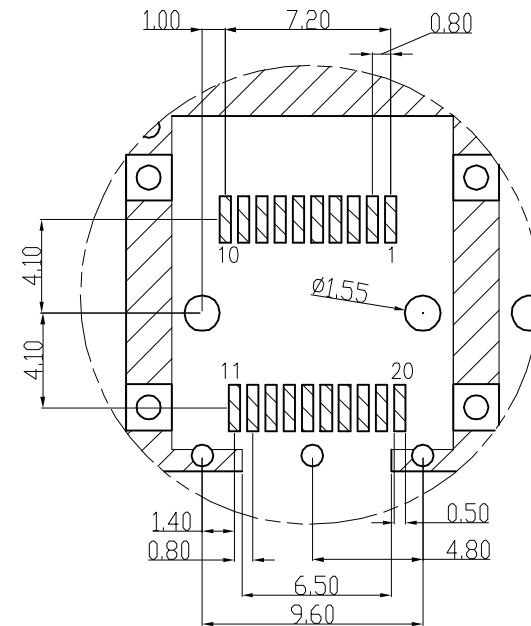
DESCRIPTION: SFP 1X2 CAGE PRESS FIT

煜倫股份有限公司

www.morethanall.com



PCB LAYOUT THICKNESS=3.0MM (TOP VIEW)



SEE Detail A
SCALE 2.5:1

MORETHANALL
PCB CONNECTORS
Cable ASSEMBLIES

煜倫股份有限公司

www.morethanall.com

RoHS Compliant

DRAWING BY CY

CHECKED BY GENIUS

UNIT/mm SCALE 1:1

DATE

SIZE A4

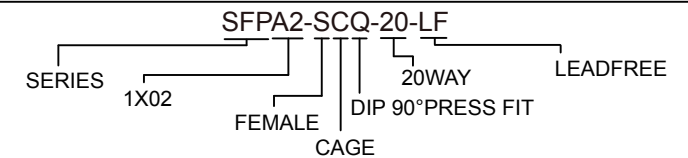
TOLERANCES ARE

X. ±
.X ± 0.25
.XX ± 0.20
.XXX ± 0.10
ANG ±

PJECTION

照片框

ORDER INFORMATION



DESCRIPTION: SFP 1X2 CAGE PRESS FIT