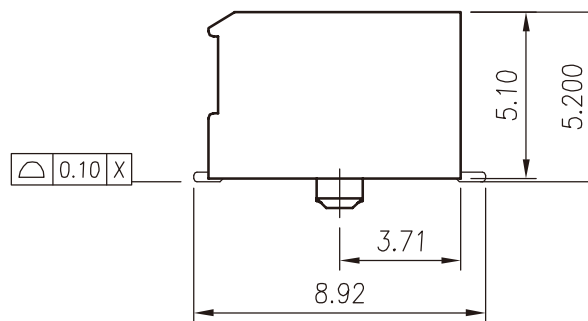
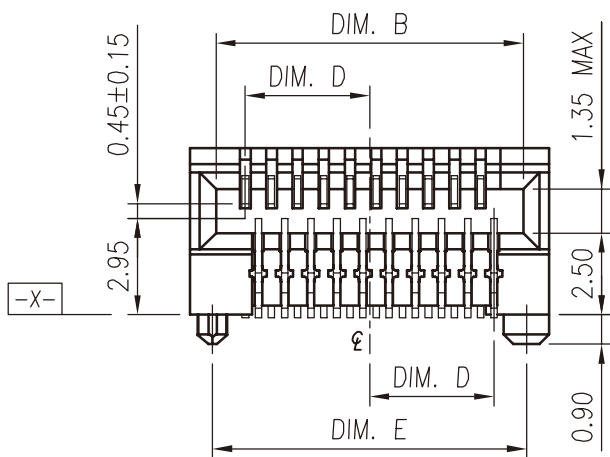


**RECOMMENDED PCB LAYOUT**

Tolerance:  $\pm 0.05$



**RoHS Compliant**

TOLERANCES ARE

**MORETHANALL**  
PCB CONNECTORS  
Cable ASSEMBLIES

DRAWING BY CY

X.  $\pm 0.40$

CHECKED BY GENIUS

.X  $\pm 0.30$

UNIT / mm

SCALE 1 : 1

.XX  $\pm 0.20$

.XXX  $\pm 0.10$

ANG  $\pm$

DATE

SIZE A4

P PROJECTION

照片框

**ORDER INFORMATION**

**SFP-SWPSxx-xx-LF**

SERIES | LEADFREE  
20.30.70 WAY  
S15: SEMI GOLD 15u"  
S30: SEMI GOLD 30u"  
FEMALE POST  
90°SMT

DESCRIPTION: SFP Connector 0.8mm Pitch

煜倫股份有限公司

www.morethanall.com

TABLE 1					
Pos. No.	DIM. A	DIM. B	DIM. C	DIM. D	DIM. E
20	7.60	9.40	11.00	3.80	9.60
30	11.60	13.40	15.00	5.80	13.60
70	27.60	29.40	31.00	13.80	29.60

TABLE 2					
Pos. No.	W	X	Y		
20	10	11	20		
30	15	16	30		
70	35	36	70		

**Material:**

Insulator: Glass-Reinforced Thermoplastic, UL 94V-0, Color: Black.  
 Contact: Copper Alloy.  
 Contact Plating: Selective Gold Plating On Contact Area.  
 G/F or Tin Over Nickel Underplated On Solder Tail Area .  
 ROHS Compliant

**Electrical:**

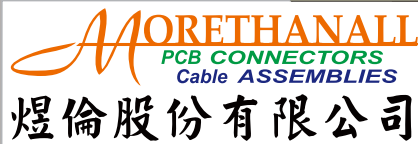
Voltage Rating: 30V AC.  
 Current Rating: 0.5 A.  
 Contact Resistance: 40 milliohms Max.  
 Dielectric Withstanding Voltage: 300V AC Min.  
 Insulation Resistance: 500 Megaohms Min.

**Environmental:**

Temperature Range: -40°C to +85°C.

**RoHS Compliant**

TOLERANCES ARE



DRAWING BY CY

CHECKED BY GENIUS

UNIT / mm

SCALE 1 : 1

DATE

X. ± 0.40  
 .X ± 0.30  
 .XX ± 0.20  
 .XXX ± 0.10  
 ANG ±

照片框

**ORDER INFORMATION**

SFP-SWPSxx-xx-LF  
 SERIES | LEADFREE  
 | 20.30.70 WAY  
 | S01:SEMI GOLD 1u"  
 FEMALE | S30:SEMI GOLD 30u"  
 90°SMT POST

www.morethanall.com

SIZE A4

P PROJECTION

DESCRIPTION: SFP Connector 0.8mm Pitch