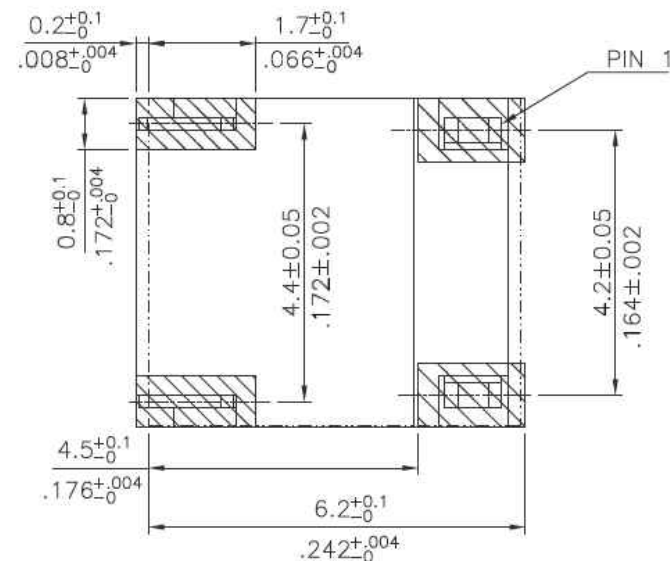
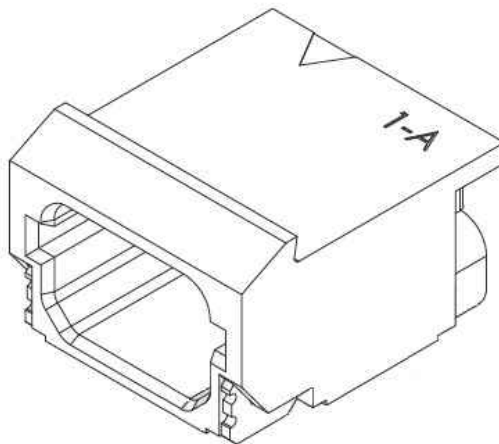
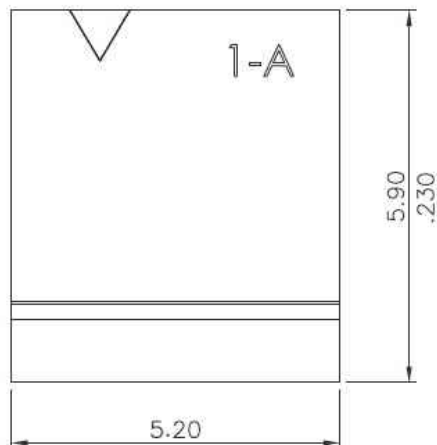


Material:

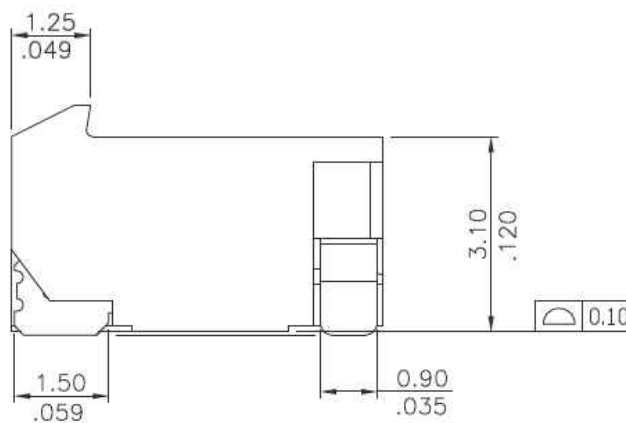
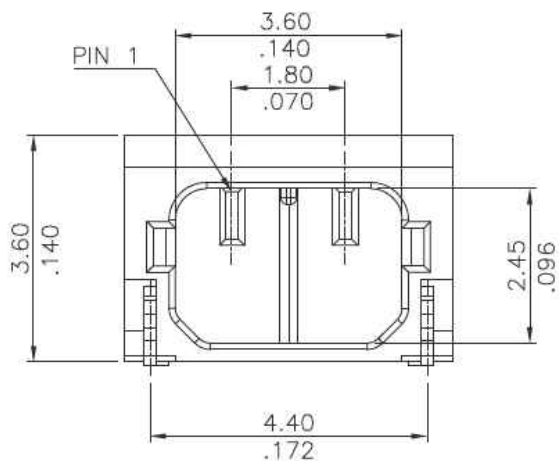
Base: High temperature plastic UL 94V-0, Color Nature

Contact: Copper alloy with Matte Tin plated

Tab: Copper alloy with Matte Tin plated



Recommended P.C. Board Layout



RoHS Compliant

TOLERANCES ARE

**MORETHANALL**  
PCB CONNECTORS  
Cable ASSEMBLIES

煜倫股份有限公司

www.morethanall.com

DRAWING BY CY

CHECKED BY GENIUS

UNIT / mm SCALE 1 : 1

DATE

SIZE A4

X, ±  
X, ±  
.XX ±  
.XXX ±  
ANG ±

PJECTION

照片框

ORDER INFORMATION

SFH-W-02-LF  
SERIES | LEADFREE  
02 WAY  
90°SMT

DESCRIPTION: