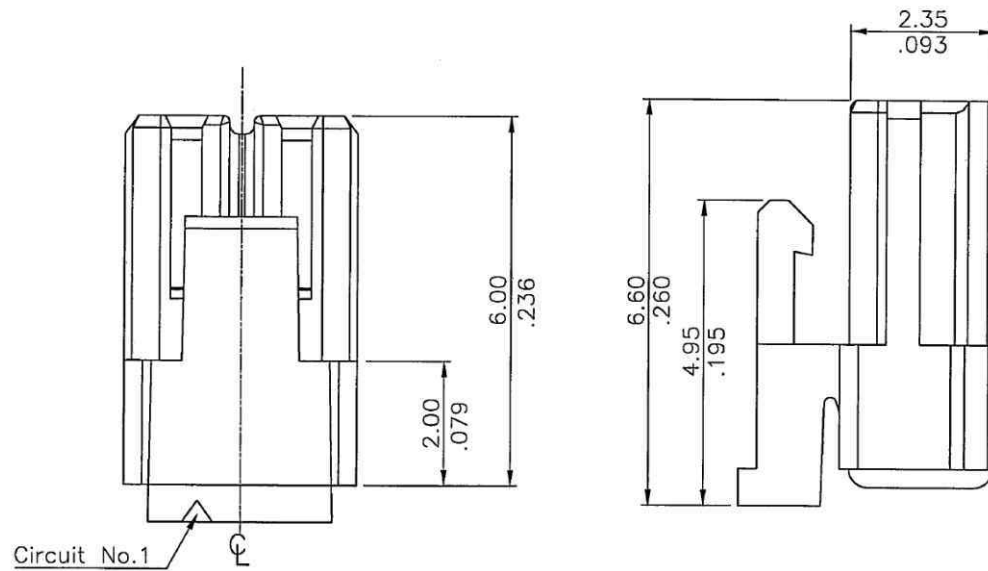


Material:  
Nylon 66 UL 94V-0, Color Nature



**RoHS Compliant**

TOLERANCES ARE

**MORETHANALL**  
PCB CONNECTORS  
Cable ASSEMBLIES

DRAWING BY CY

CHECKED BY GENIUS

UNIT / mm

SCALE 1 : 1

DATE

SIZE A4

PROJECTION

X, ±  
.X ±  
.XX ±  
.XXX ±  
ANG ±

照片框

**ORDER INFORMATION**

SFH-H-02-LF  
SERIES | LEADFREE  
02 WAY  
HOUSING

煜倫股份有限公司

www.morethanall.com

DESCRIPTION: