

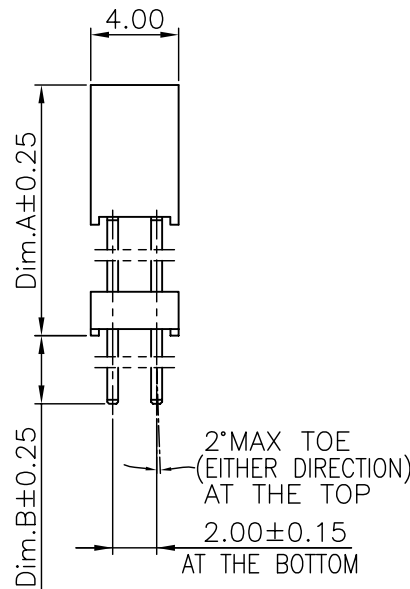
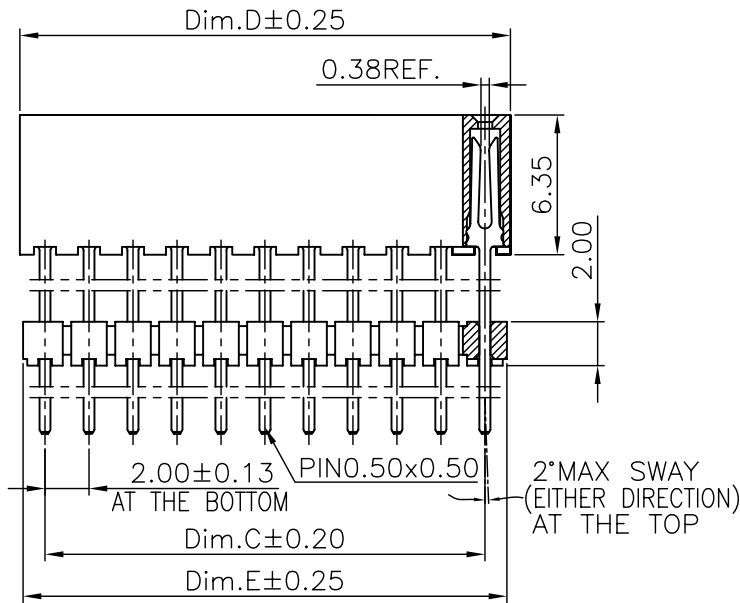
Recommended P.C.B. Layout  
(Tolerance:0.05mm)

1. Specifications:

- 1.1 Current Rating: 2.0Amp
- 1.2 Insulation Resistance: 1000MΩ Min.
- 1.3 Dielectric Withstanding: 500V AC
- 1.4 Contact Resistance: 20mΩ Max.
- 1.5 Operating Temperature: -40°C to +105°C

2. Materials:

- 2.1 Contact Material: Phosphor Bronze
- 2.2 Insulation Material: High Temperature Thermoplastic, UL 94V-0



RoHS Compliant

TOLERANCES ARE

**MORETHANALL**  
PCB CONNECTORS  
Cable ASSEMBLIES

煜倫股份有限公司

www.morethanall.com

DRAWING BY CY

CHECKED BY GENIUS

UNIT / mm

SCALE 1 : 1

DATE

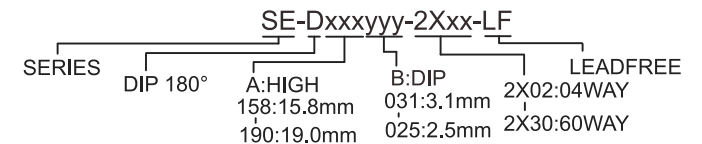
SIZE A4

X. ± 0.30  
.X ± 0.25  
.XX ± 0.15  
.XXX ± 0.10  
ANG ±

P PROJECTION

照片框

ORDER INFORMATION



DESCRIPTION: 2.00 FEMALE HEADER DUAL ROWS DIP TYPE CONNECTOR

TABLE 1

Serial No.	Dimension Information		Material housing	KEY	Remark
	Dim.A	Dim.B			
	15.80	3.10	B	-----	
	19.30	2.30	B	-----	
	15.25	2.30	B	-----	
	13.85	3.70	B	-----	
	17.00	4.60	B	-----	
	12.70	5.65	B	-----	
	11.25	3.15	B	-----	
	13.00	2.80	B	-----	
	9.35	2.30	B	-----	
	8.90	2.75	B	-----	
	11.95	2.80	B	-----	
	11.95	2.80	C	-----	▲
	9.60	12.00	B	-----	
	12.70	3.15	B	-----	
	8.35	2.10	B	-----	
	12.70	9.10	B	-----	
	8.35	3.40	B	-----	
	18.20	3.40	B	-----	
	17.70	2.80	B	-----	暫無相配端子
	19.05	2.55	B	-----	
	19.05	2.55	B	No. 3留pin塞KEY	
	9.10	2.50	B	-----	
	10.35	7.20	B	-----	
	12.35	3.55	B	-----	
	8.35	9.15	B	-----	
	14.90	2.65	B	-----	
	14.90	6.70	B	-----	
	18.80	2.80	B	-----	
	8.50	3.20	C	-----	
	19.00	2.50	C	-----	

TABLE 2

No. of PIN/ROW	Dimension Information		
	Dim.C	Dim.D	Dim.E
02	2.00	4.30	4.00
03	4.00	6.30	6.00
04	6.00	8.30	8.00
05	8.00	10.30	10.00
06	10.00	12.30	12.00
07	12.00	14.30	14.00
08	14.00	16.30	16.00
09	16.00	18.30	18.00
10	18.00	20.30	20.00
11	20.00	22.30	22.00
12	22.00	24.30	24.00
13	24.00	26.30	26.00
14	26.00	28.30	28.00
15	28.00	30.30	30.00
16	30.00	32.30	32.00
17	32.00	34.30	34.00
18	34.00	36.30	36.00
19	36.00	38.30	38.00
20	38.00	40.30	40.00
21	40.00	42.30	42.00
22	42.00	44.30	44.00
23	44.00	46.30	46.00
24	46.00	48.30	48.00
25	48.00	50.30	50.00
26	50.00	52.30	52.00
27	52.00	54.30	54.00
28	54.00	56.30	56.00
29	56.00	58.30	58.00
30	58.00	60.30	60.00

RoHS Compliant

TOLERANCES ARE

**MORETHANALL**  
PCB CONNECTORS  
Cable ASSEMBLIES

DRAWING BY CY

CHECKED BY GENIUS

UNIT / mm

SCALE 1 : 1

DATE

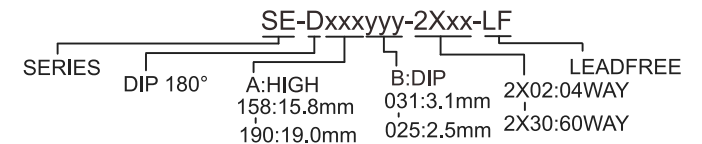
SIZE A4

X. ± 0.30  
.X ± 0.25  
.XX ± 0.15  
.XXX ± 0.10  
ANG ±

PPOJECTION 

照片框

ORDER INFORMATION



DESCRIPTION:2.00 FEMALE HEADER DUAL ROWS DIP TYPE CONNECTOR

煜倫股份有限公司

www.morethanall.com

TABLE 1

Serial No.	Dimension Information		Material	KEY	Remark
	Dim.A	Dim.B	housing		
	16.40	2.50	B	-----	
	8.60	3.05	B	-----	
	8.60	3.05	R	-----	
	10.35	7.20	R	-----	
	12.35	3.55	R	-----	
	10.35	1.25	B	-----	
	13.60	8.00	B	-----	
	13.00	8.60	B	-----	
	14.90	6.70	R	-----	△14
	13.00	8.60	R	-----	△15
	17.70	2.30	B	-----	△16
	10.00	11.60	C △17	-----	△17
	8.36	5.20	R	-----	△18
	12.40	9.20	R	-----	△19
	8.35	2.80	C	-----	△20
	12.10	9.50	C	-----	△21
	12.90	2.20	C	-----	△22
	8.35	2.10	C	-----	△23
	15.30	6.30	C	-----	△24
	10.35	3.15	R	-----	暫無相配端子 △25
	18.80	2.80	C	-----	△26
	10.35	4.50	R	-----	△27
	12.70	9.10	R	-----	△28
	12.70	5.65	R	-----	△29
	13.00	2.80	R	-----	△30
	11.05	4.00	R	-----	△31
	11.25	3.15	R	-----	△32
	8.35	2.10	R	-----	△33
	11.00	9.00	C	-----	△34
	11.10	10.50	C	-----	△35

TABLE 2

No. of PIN/ROW	Dimension Information		
	Dim.C	Dim.D	Dim.E
02	2.00	4.30	4.00
03	4.00	6.30	6.00
04	6.00	8.30	8.00
05	8.00	10.30	10.00
06	10.00	12.30	12.00
07	12.00	14.30	14.00
08	14.00	16.30	16.00
09	16.00	18.30	18.00
10	18.00	20.30	20.00
11	20.00	22.30	22.00
12	22.00	24.30	24.00
13	24.00	26.30	26.00
14	26.00	28.30	28.00
15	28.00	30.30	30.00
16	30.00	32.30	32.00
17	32.00	34.30	34.00
18	34.00	36.30	36.00
19	36.00	38.30	38.00
20	38.00	40.30	40.00
21	40.00	42.30	42.00
22	42.00	44.30	44.00
23	44.00	46.30	46.00
24	46.00	48.30	48.00
25	48.00	50.30	50.00
26	50.00	52.30	52.00
27	52.00	54.30	54.00
28	54.00	56.30	56.00
29	56.00	58.30	58.00
30	58.00	60.30	60.00

RoHS Compliant

TOLERANCES ARE

**MORETHANALL**  
PCB CONNECTORS  
Cable ASSEMBLIES  
煜倫股份有限公司

DRAWING BY CY

X. ± 0.30

CHECKED BY GENIUS

.X ± 0.25

UNIT / mm

SCALE 1:1

.XX ± 0.15

DATE

.XXX ± 0.10

ANG ±

SIZE A4

PROJECTION 

照片框

ORDER INFORMATION

SE-Dxxxxyyy-2Xxx-LF

SERIES	DIP 180°	A:HIGH	B:DIP	LEADFREE
		158:15.8mm	031:3.1mm	2X02:04WAY
		190:19.0mm	025:2.5mm	2X30:60WAY

DESCRIPTION:2.00 FEMALE HEADER DUAL ROWS DIP TYPE CONNECTOR

www.morethanall.com

TABLE 1

Serial No.	Dimension Information		Material housing	KEY	Remark
	Dim.A	Dim.B			
	13.00	4.50	C	-----	
	18.20	3.40	R	-----	
	20.30	1.30	R	-----	
	14.35	7.20	R	-----	
	10.65	3.20	C	-----	
	10.35	11.25	R	-----	
	15.80	3.10	R	-----	
	8.35	3.40	R	-----	
	12.45	2.70	R	-----	
	12.45	2.70	C	-----	
	19.00	2.50	R	-----	
	16.90	3.10	R	-----	
	12.70	3.15	R	-----	
	15.50	3.50	R	-----	
	17.80	3.80	C	-----	
	10.70	2.40	R	-----	暫無相配端子
	10.00	2.60	C	-----	
	17.70	2.30	R	-----	
	8.60	13.00	C	-----	

TABLE 2

No. of PIN/ROW	Dimension Information		
	Dim.C	Dim.D	Dim.E
02	2.00	4.30	4.00
03	4.00	6.30	6.00
04	6.00	8.30	8.00
05	8.00	10.30	10.00
06	10.00	12.30	12.00
07	12.00	14.30	14.00
08	14.00	16.30	16.00
09	16.00	18.30	18.00
10	18.00	20.30	20.00
11	20.00	22.30	22.00
12	22.00	24.30	24.00
13	24.00	26.30	26.00
14	26.00	28.30	28.00
15	28.00	30.30	30.00
16	30.00	32.30	32.00
17	32.00	34.30	34.00
18	34.00	36.30	36.00
19	36.00	38.30	38.00
20	38.00	40.30	40.00
21	40.00	42.30	42.00
22	42.00	44.30	44.00
23	44.00	46.30	46.00
24	46.00	48.30	48.00
25	48.00	50.30	50.00
26	50.00	52.30	52.00
27	52.00	54.30	54.00
28	54.00	56.30	56.00
29	56.00	58.30	58.00
30	58.00	60.30	60.00

RoHS Compliant

TOLERANCES ARE

**MORETHANALL**  
PCB CONNECTORS  
Cable ASSEMBLIES

DRAWING BY CY

CHECKED BY GENIUS

UNIT / mm

SCALE 1 : 1

DATE

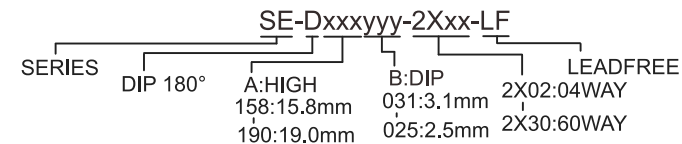
SIZE A4

X, ± 0.30  
.X ± 0.25  
.XX ± 0.15  
.XXX ± 0.10  
ANG ±

PPOJECTION

照片框

ORDER INFORMATION



DESCRIPTION: 2.00 FEMALE HEADER DUAL ROWS DIP TYPE CONNECTOR

煜倫股份有限公司

www.morethanall.com