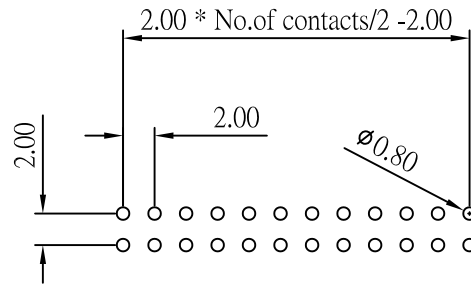
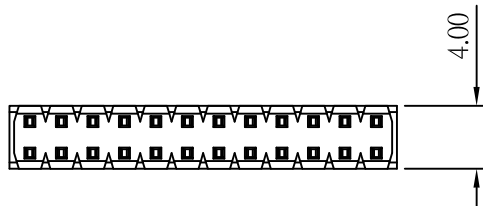
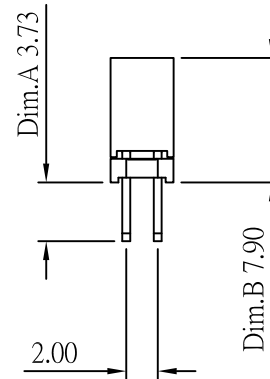
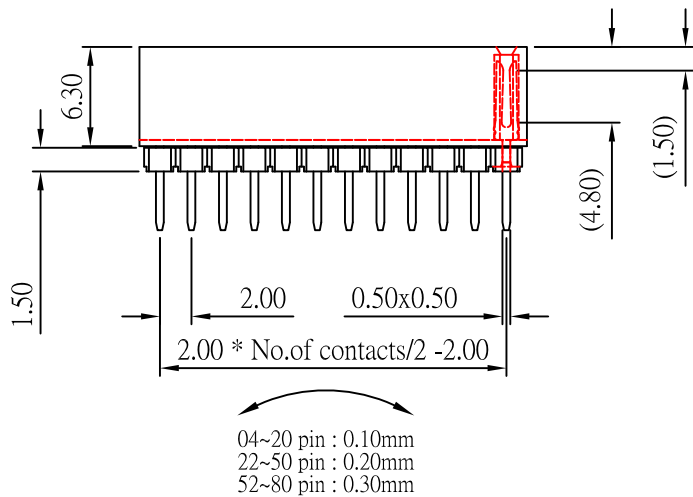
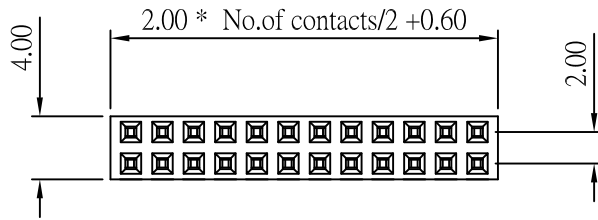


Recommended P.C. Board Hole Layout



Current Rating and voltage: 2 Amps 250V(r.m.s)
 Insulator Resistance: 5000 Megohms min
 Contact Resistance: 20 m ohms max
 Dielectric Withstanding: 500 V AC
 Operating Temperature: - 40° ~ +105° C
 Max Processing Temp: 230° C for 60 seconds
 Max Processing Temp: 260° C for 10 seconds
 Contact Material: Copper Alloy
 Insulator Material: High Temperature Plastic,UL 94V-0
 Finish: Standard: Gold Flash all over



RoHS Compliant

TOLERANCES ARE

MORETHANALL
 PCB CONNECTORS
 Cable ASSEMBLIES

DRAWING BY CY

CHECKED BY GENIUS

UNIT / mm

SCALE 1 : 1

DATE

SIZE A4

PJECTION

X ±
 .X ± 0.30
 .XX ± 0.20
 .XXX ± 0.10
 ANG ±

照片框

ORDER INFORMATION

SE-D079037-2Xxx-LF
 SERIES LEADFREE
 2X02:04WAY
 2X40:80WAY
 DIP 3.70mm
 HIGH 7.90mm
 DIP 180°

煜倫股份有限公司

www.morethanall.com

DESCRIPTION: