

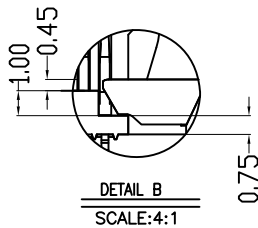
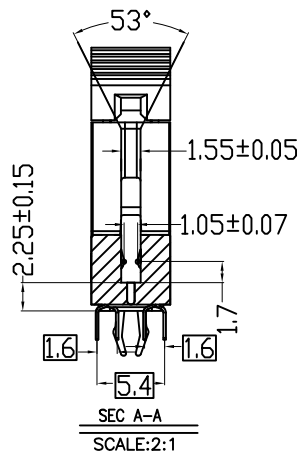
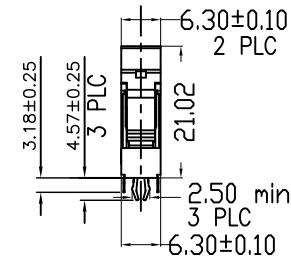
**Material:**

Housing: High Temperature Plastic UL94V-0  
 Ear: High Temperature Plastic UL94V-0  
 Contact: Copper Alloy.  
 Board Lock: Metal.

**Electrical Characteristics:**

Current Rating: 0.75 AMP.  
 Dielectric Withstanding Voltage: AC 500V For 1 minute.  
 Insulator Resistance: 1MΩ min. at DC 500V.  
 Contact Resistance: 10mΩ max.  
 Operating Temperature: -44°C ~+85°C.

**\*RoHS Compliant**



**RoHS Compliant**

TOLERANCES ARE

X, ±  
 .X ± 0.50  
 .XX ± 0.25  
 .XXX ± 0.15  
 ANG ±

DRAWING BY CY  
 CHECKED BY GENIUS  
 UNIT / mm SCALE 1 : 1  
 DATE  
 SIZE A4 PPROJECTION

照片框

**ORDER INFORMATION**

**SDM85-D65V12-154134-LF**

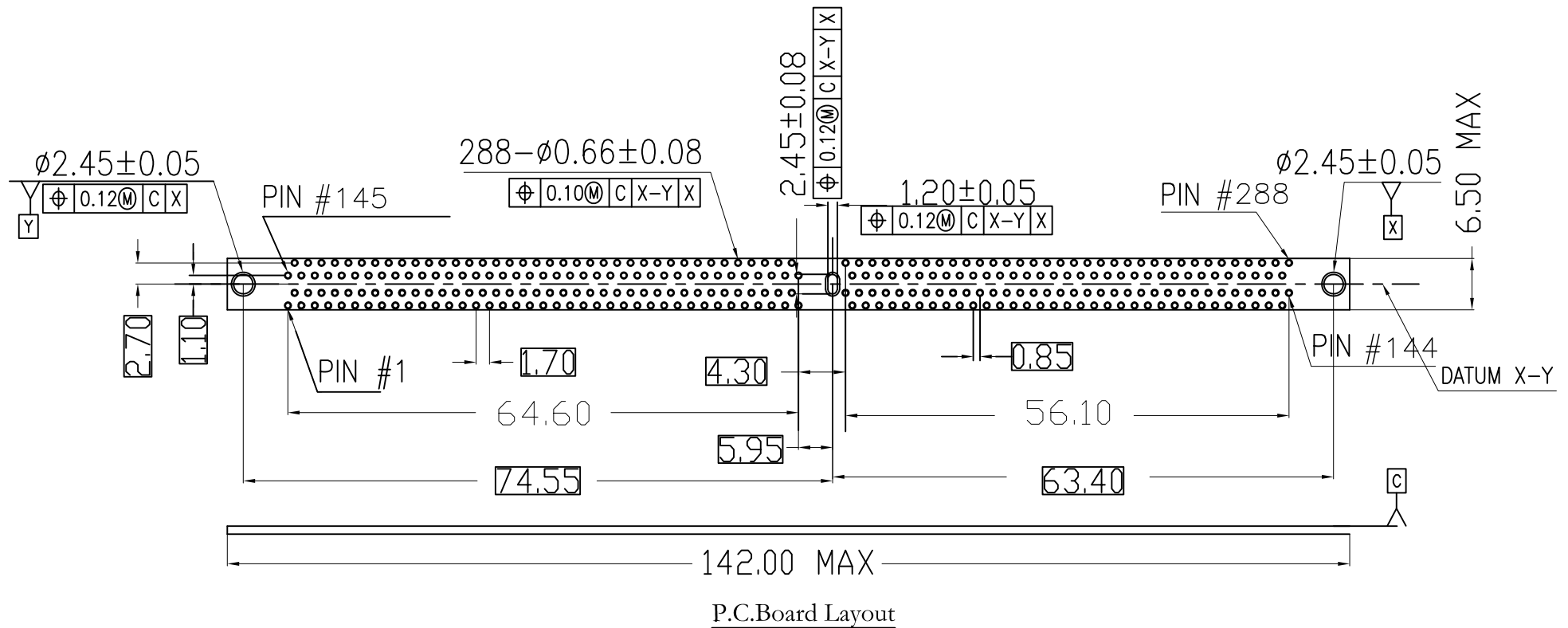
SERIES | 1.2V | LEADFREE  
 | 6.5mm | 154+134 WAY  
 DIP 180°

DESCRIPTION: 0.85mm Pitch DDR 4 , 288 PIN

**MORETHANALL**  
 PCB CONNECTORS  
 Cable ASSEMBLIES

煜倫股份有限公司

www.morethanall.com



RoHS Compliant

TOLERANCES ARE

**MORETHANALL**  
PCB CONNECTORS  
Cable ASSEMBLIES

DRAWING BY CY

X, ±  
.X ± 0.50  
.XX ± 0.25  
.XXX ± 0.15  
ANG ±

CHECKED BY GENIUS

UNIT / mm SCALE 1 : 1

DATE

SIZE A4

P PROJECTION

照片框

ORDER INFORMATION

SDM85-D65V12-154134-LF

SERIES

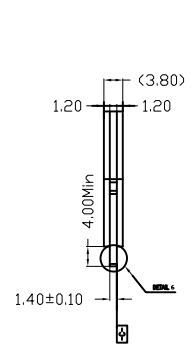
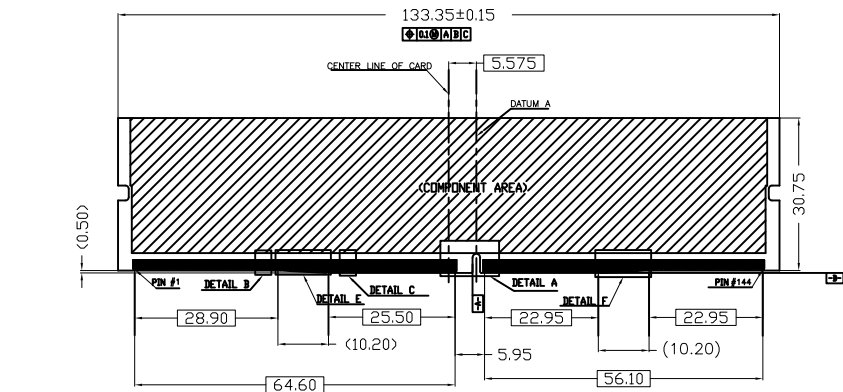
1.2V  
6.5mm  
DIP 180°

LEADFREE  
154+134 WAY

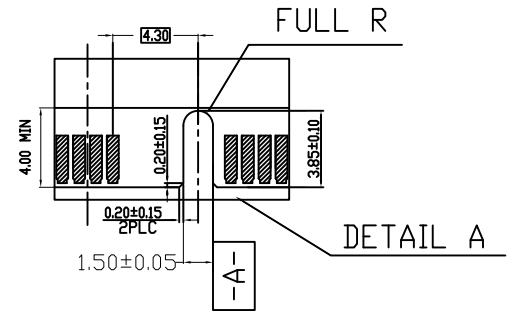
煜倫股份有限公司

www.morethanall.com

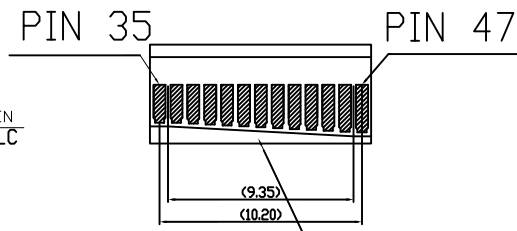
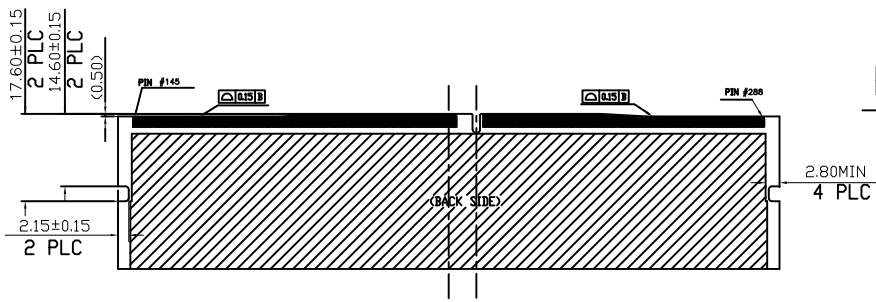
DESCRIPTION: 0.85mm Pitch DDR 4 , 288 PIN



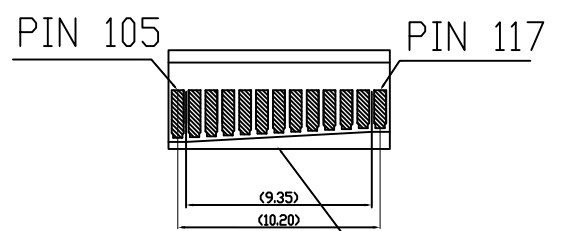
DETAIL G  
SCALE 4:1



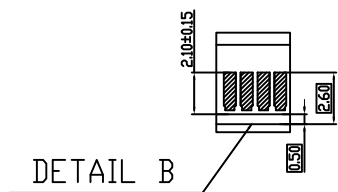
DETAIL A  
SCALE 4:1



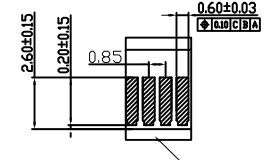
DETAIL E  
SCALE 4:1



DETAIL F  
SCALE 4:1



DETAIL B  
SCALE 4:1



DETAIL C  
SCALE 4:1



煜倫股份有限公司

www.morethanall.com

RoHS Compliant

DRAWING BY CY

CHECKED BY GENIUS

UNIT / mm SCALE 1 : 1

DATE

SIZE A4

TOLERANCES ARE

X ±  
.X ± 0.50  
.XX ± 0.25  
.XXX ± 0.15  
ANG ±

PJECTION

照片框

ORDER INFORMATION

SDM85-D65V12-154134-LF

SERIES

1.2V  
6.5mm  
DIP 180°

LEADFREE  
154+134 WAY

DESCRIPTION: 0.85mm Pitch DDR 4 , 288 PIN