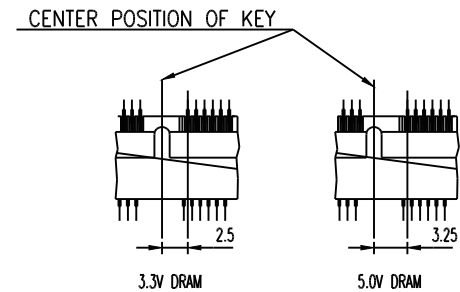
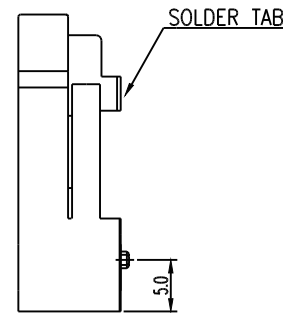
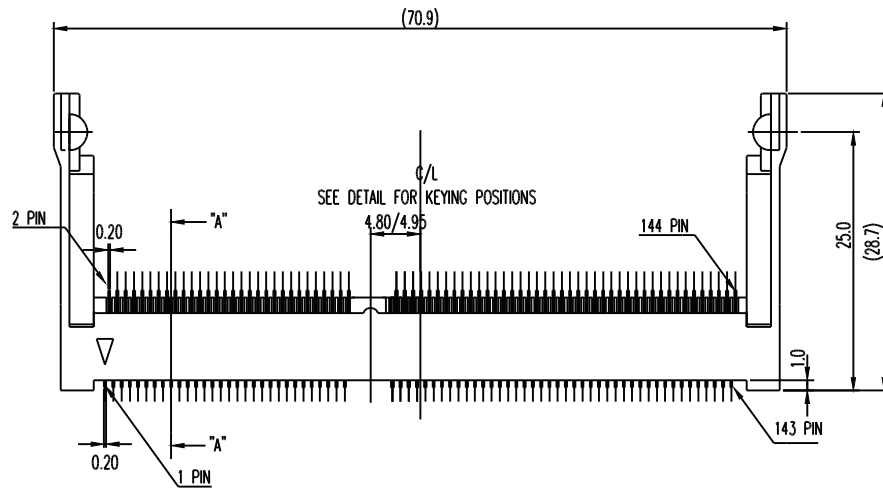


SECT "A"-"A" (S=8/1)



DETAIL FOR KEY POSITIONS

NOTES;

- 1, GENERAL TOLERANCE IS ± 0.1 , $\pm 0'30''$.
- 2, NO DAMAGE AFTER ASSEMBLE.
- 3, MATERIAL: HOUSING=LCP / UL94V-0
 COLOR: NATURAL=3.3V DRAM, BLACK=X.XV DRAM.
 CONTACT=PHOS-BRONZE($t=0.2$)
 SOLDER TAB=PHOS-BRONZE($t=0.35$)

- 4, FINISH: CONTACT GOLD PLATING ON CONTACT AREA
 (PLEASE REFER TO PART NUMBER)
 (100 μ " TIN OR GOLD FLASH) LEAD ON SOLDER AREA
 40 μ " NICKEL UNDERPLATED FOR ENTIRE CONTACT

SOLDER TAB=120 μ "TIN LEAD 90/10
 40 μ "NICKEL UNDERPLATED FOR ENTIRE TAB.

- 5, PACKAGING SPEC. PK-501-01

RoHS Compliant

TOLERANCES ARE

MORETHANALL
 PCB CONNECTORS
 Cable ASSEMBLIES

DRAWING BY CY

CHECKED BY GENIUS

UNIT / mm

SCALE 1 : 1

DATE

SIZE A4

PJECTION

X, \pm
 .X \pm
 .XX \pm
 .XXX \pm
 ANG \pm

照片框

ORDER INFORMATION

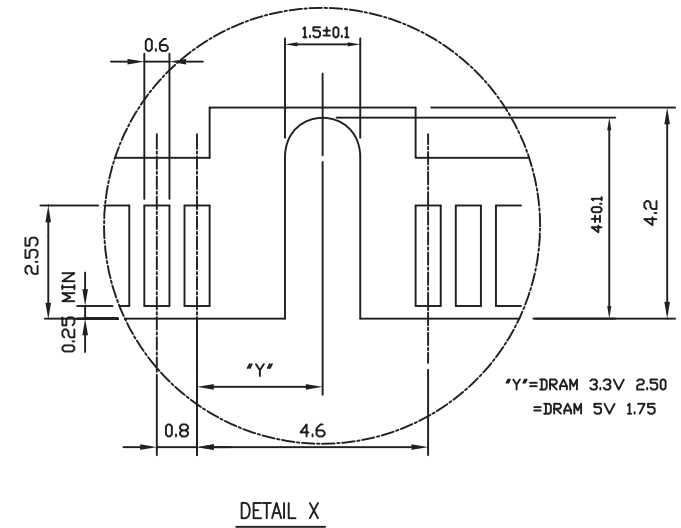
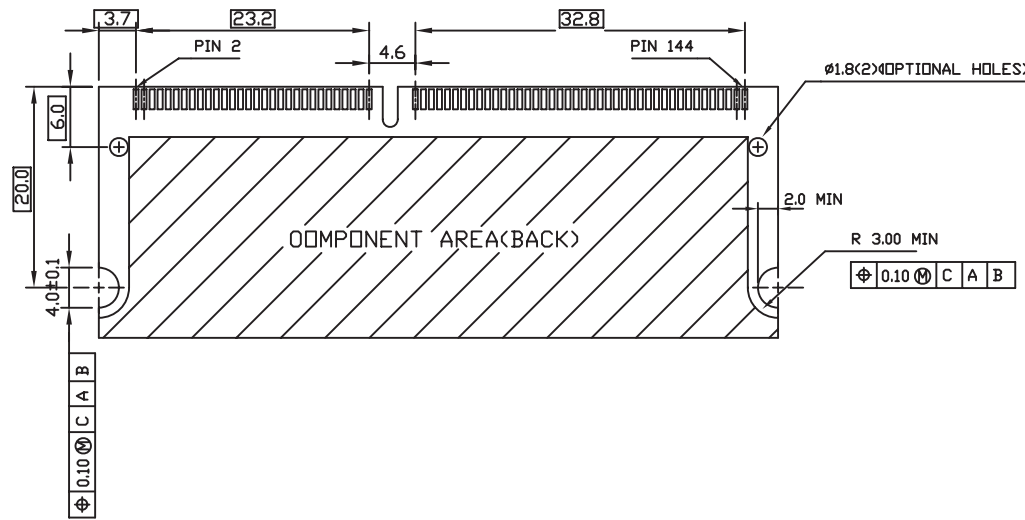
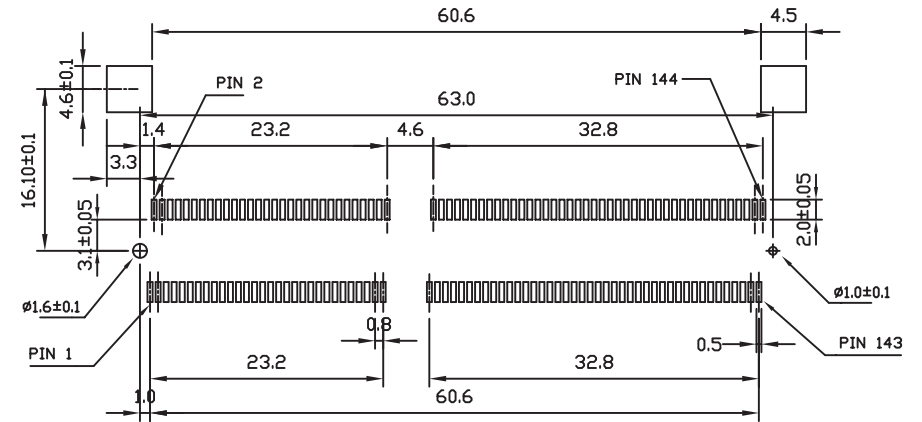
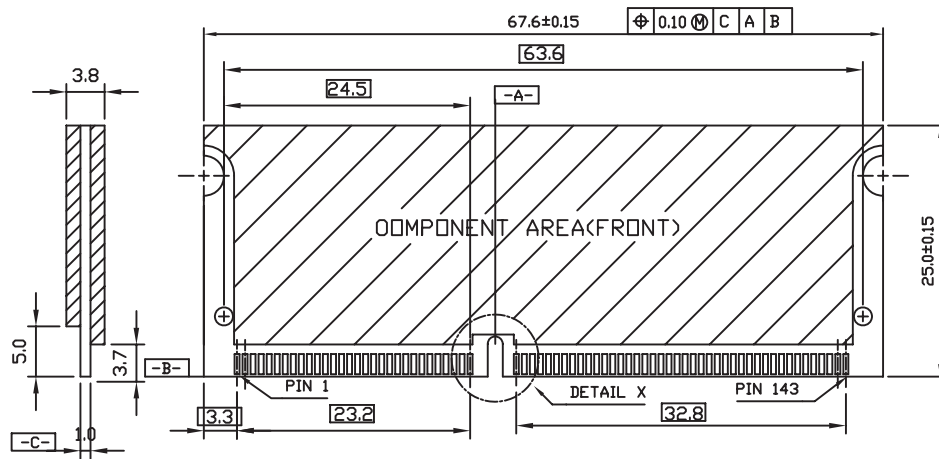
SDM8-W99Vxx-6084-LF

SERIES	LEADFREE
	60+84WAY
	V33:3.3V
	V50:5.0V
	HIGH 9.9mm
	90°SMT

DESCRIPTION: S.O.DIMM 144 POS (9.9) ASSEMBLY COSUTOMER DRAWING

煜倫股份有限公司

www.morethanall.com



RoHS Compliant

TOLERANCES ARE

MORETHANALL
PCB CONNECTORS
Cable ASSEMBLIES

DRAWING BY CY

X ±

CHECKED BY GENIUS

.X ±

UNIT / mm

SCALE 1 : 1

.XX ±

DATE

.XXX ±

ANG ±

SIZE A4

P PROJECTION

照片框

ORDER INFORMATION

SDM8-W99Vxx-6084-LF

SERIES LEADFREE
60+84WAY

V33:3.3V
V50:5.0V
HIGH 9.9mm
90°SMT

煜倫股份有限公司

www.morethanall.com

DESCRIPTION:RECOMMENDED PCB LAYOUT FOR S.O.DIMM MODULE AND PATTERN