

NOTE:

1. MATERIAL:
HOUSING : LCP - UL94V-0, COLOR: BLACK
CONTACTS : COPPER ALLOY
LOCK LEVER : STAINLESS STEEL
2. FINISH:
CONTACT AREA : REFER TABLE IN SHEET 1.
SOLDER TAIL AREA : 100 MICROINCH / 2.54 MICROMETER TIN OVER
50 MICROINCH / 1.27 MICROMETER NICKEL.
LOCK LEVER SOLDER PAD : 100 MICROINCH / 2.54 MICROMETER TIN OVER
50 MICROINCH / 1.27 MICROMETER NICKEL.
3. RECOMMENDED MODULE LAYOUT SHALL BE AS PER JEDEC MO-268
4. PRODUCT SPECIFICATION AS PER MTA
5. PART SHALL BE PACKED PER MTA
6. EDGE OF CONTACT PADS SHALL BE FREE OF BURRS AND EXTERNAL TIE BARS.
7. THE ADDITION OF THIS BEVEL IS A FABRICATION OPTION AND IS NOT REQUIRED. THE BEVEL AIDS THE INSERTION OF THE MODULES INTO THE CONNECTOR. THE BEVEL MUST NOT ENCORACH ONTO GOLD OADS.
8. COPLANARITY INCLUDES HOLD DOWN 0.1 MAX.

RoHS Compliant

TOLERANCES ARE



煜倫股份有限公司

www.morethanall.com

DRAWING BY CY

CHECKED BY GENIUS

UNIT / mm SCALE 1 : 1

DATE

SIZE A4

X, ±
.X ±
.XX ±
.XXX ±
ANG ±

PJECTION

照片框

ORDER INFORMATION

SDM6-WxxV15-A372-LF

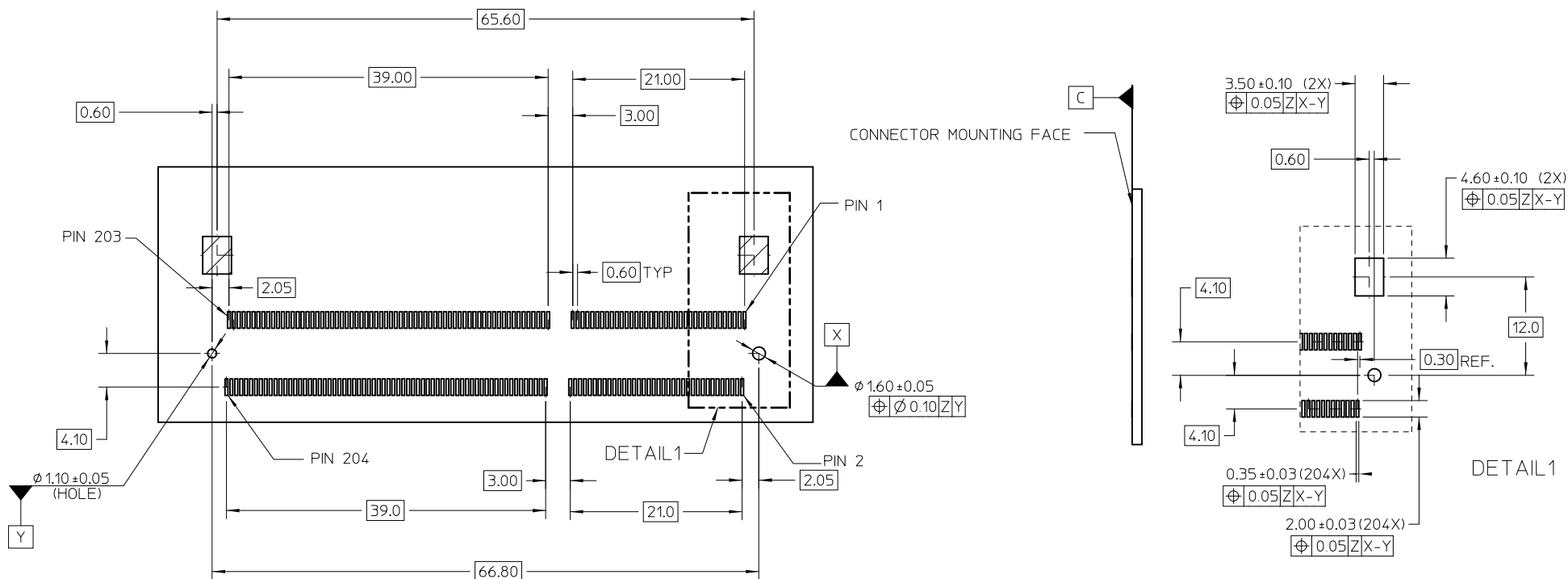
SERIES LEADFREE
204 WAY

1.5V
40:4.0mm HIGH
90°SMT 52:5.2mm HIGH
56:5.6mm HIGH

DESCRIPTION: DDR3 SO. DIMM 0.60MM PITCH, 204 CIRCUITS REVERSE TYPE

RECOMMENDED PCB LAYOUT

(PLS REFER TO THE JEDEC SPEC. SO-006)



RoHS Compliant

TOLERANCES ARE

MORETHANALL
PCB CONNECTORS
Cable ASSEMBLIES

DRAWING BY CY

X, ±

CHECKED BY GENIUS

.X ±

UNIT / mm

SCALE 1 : 1

.XX ±

DATE

.XXX ±

ANG ±

照片框

ORDER INFORMATION

SDM6-WxxV15-A372-LF

SERIES LEADFREE
204 WAY

1.5V
40:4.0mm HIGH
52:5.2mm HIGH
56:5.6mm HIGH

90°SMT

www.morethanall.com

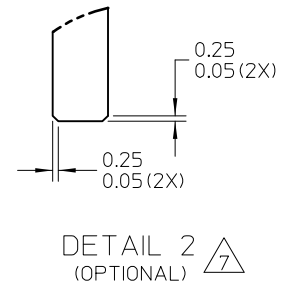
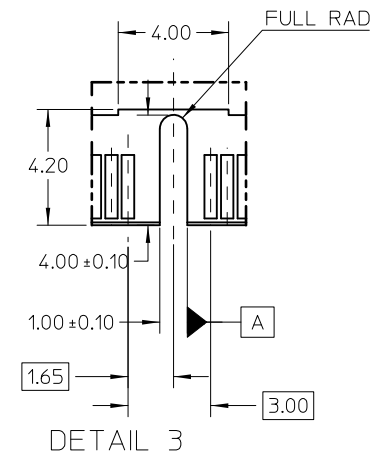
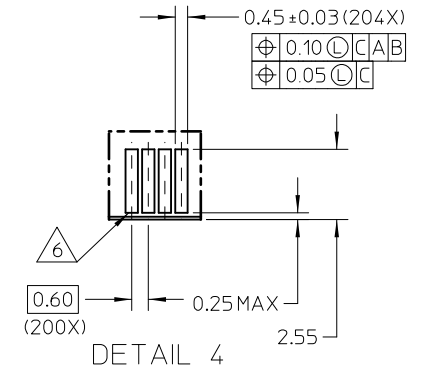
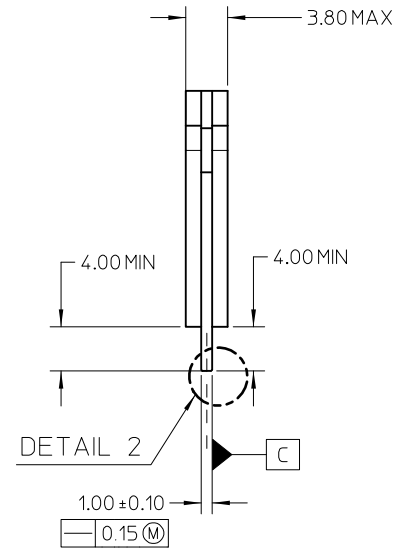
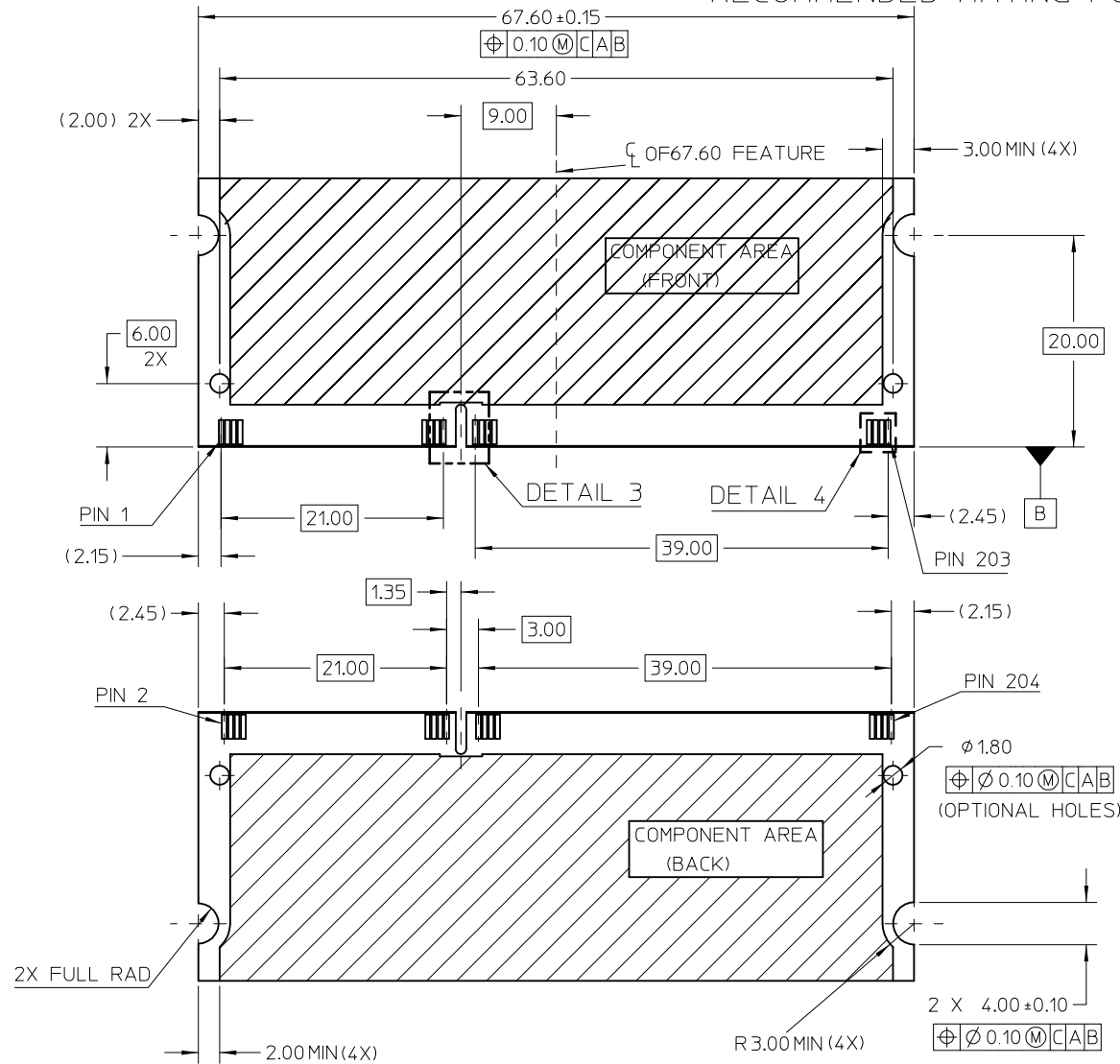
SIZE A4

PJECTION

DESCRIPTION: DDR3 SO. DIMM 0.60MM PITCH, 204 CIRCUITS REVERSE TYPE

煜倫股份有限公司

RECOMMENDED MATING PCB CONFIGURATION



RoHS Compliant

TOLERANCES ARE

MORETHANALL
 PCB CONNECTORS
 Cable ASSEMBLIES

DRAWING BY CY
 CHECKED BY GENIUS
 UNIT / mm SCALE 1 : 1
 DATE

X, ±
 .X ±
 .XX ±
 .XXX ±
 ANG ±

照片框

ORDER INFORMATION

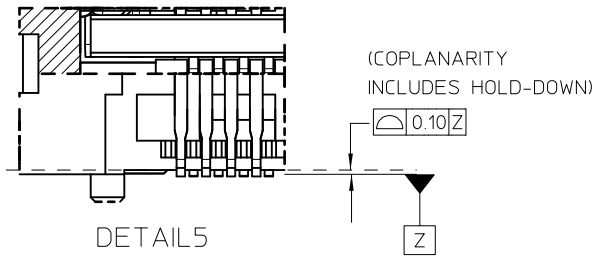
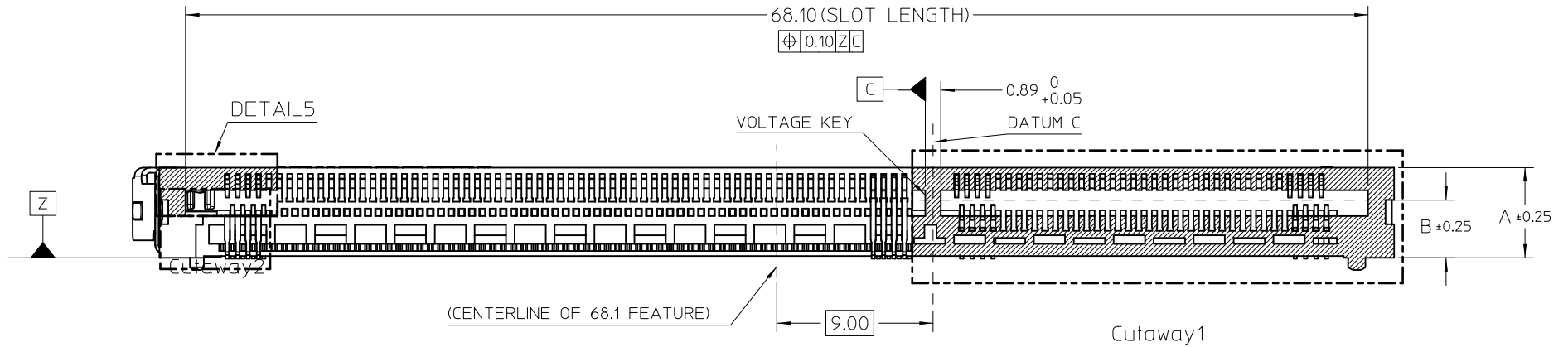
SDM6-WxxV15-A372-LF
 SERIES LEADFREE
 204 WAY
 1.5V
 40:4.0mm HIGH
 52:5.2mm HIGH
 56:5.6mm HIGH
 90°SMT

www.morethanall.com

SIZE A4

PJECTION

DESCRIPTION: DDR3 SO. DIMM 0.60MM PITCH, 204 CIRCUITS REVERSE TYPE



SDM6-W40V15-A372	GOLD FLASH OVER 50 MICROINCH / 1.27 MICROMETER NICKEL	4.00	2.10	
SDM6-W52V15-A372	GOLD FLASH OVER 50 MICROINCH / 1.27 MICROMETER NICKEL	5.20	3.30	
SDM6-W56V15-A372	GOLD FLASH OVER 50 MICROINCH / 1.27 MICROMETER NICKEL	5.60	3.70	
PART NO.	CONTACT AREA FINISH		DIM A	DIM B
				REMARK

RoHS Compliant

MORETHANALL
PCB CONNECTORS
Cable ASSEMBLIES

煜倫股份有限公司

www.morethanall.com

DRAWING BY CY

CHECKED BY GENIUS

UNIT / mm SCALE 1:1

DATE

SIZE A4

TOLERANCES ARE

X, ±
.X ±
.XX ±
.XXX ±
ANG ±

P PROJECTION

照片框

ORDER INFORMATION

SDM6-WxxV15-A372-LF

SERIES LEADFREE
204 WAY

1.5V
40:4.0mm HIGH
90°SMT 52:5.2mm HIGH
56:5.6mm HIGH

DESCRIPTION: DDR3 SO. DIMM 0.60MM PITCH, 204 CIRCUITS REVERSE TYPE