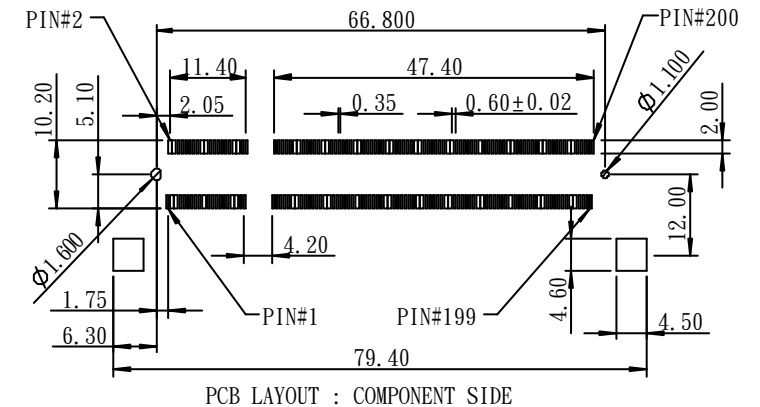
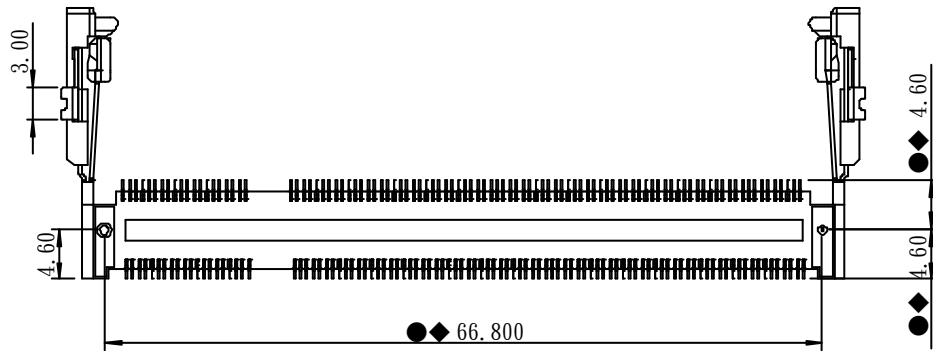
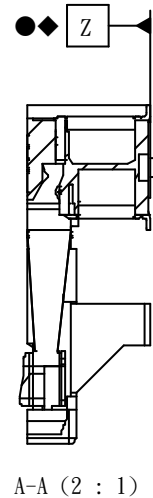
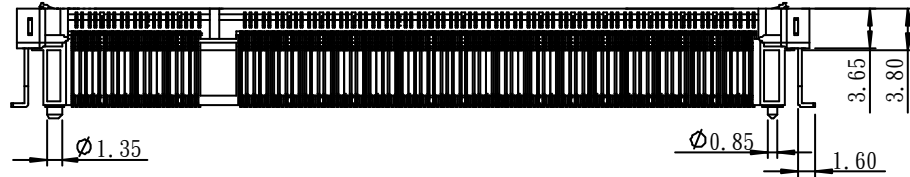


NOTE:

1. SOLDERTAIL TO BE WITHIN 0.05 UPWARD AND 0.2 DOWNWARD FROM Z-DATUM PLACE, AND COPLANALITY OF SOLDERTAILS TO BE WITHIN 0.10. MEASUREMENT POINT IS SOLDERTAILS TIP.
2. CONTACT PLATING: UNDERPLATE 50 μ" NICKEL, CONTACT AREA: GOLD 3 μ" SELECTIVE SOLDERTAILS AREA
3. INSPECTION SYMBOL:
 ● : MANUFACTURER INSPECTION
 ◆ : Q. C INSPECTION



RoHS Compliant

TOLERANCES ARE

MORETHANALL
 PCB CONNECTORS
 Cable ASSEMBLIES

DRAWING BY CY

X. ±

CHECKED BY GENIUS

.X ±

UNIT / mm

SCALE 1 : 1

.XX ±

DATE

.XXX ±

ANG ±

SIZE A4

PPOJECTION

照片框

ORDER INFORMATION

SDM6-W92V25-A640-LF

SERIES

LEADFREE

160+40 WAY

2.5V

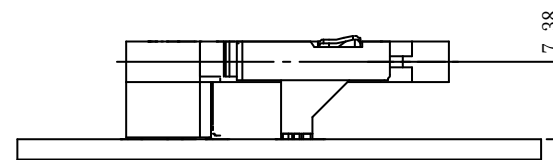
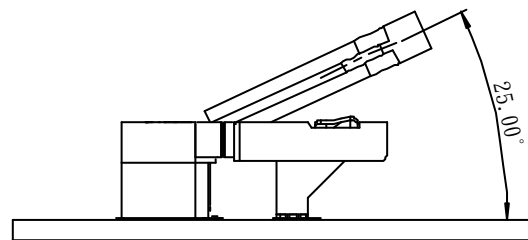
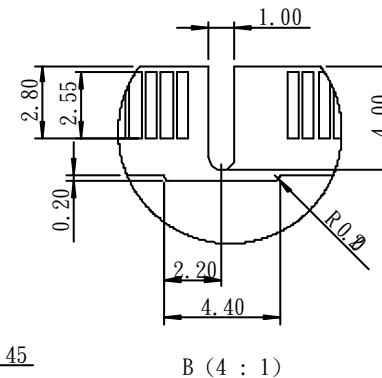
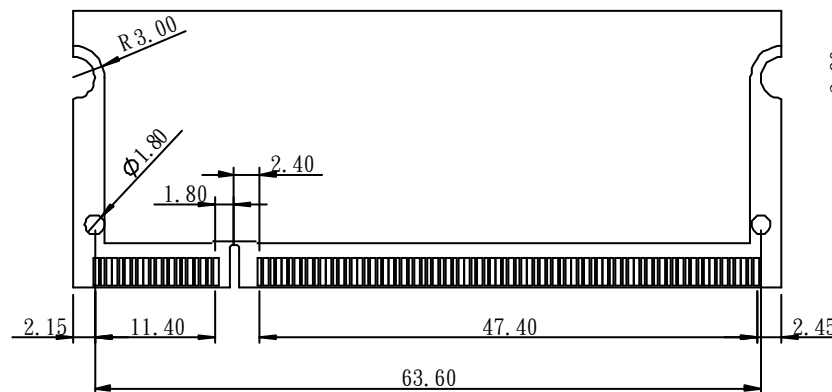
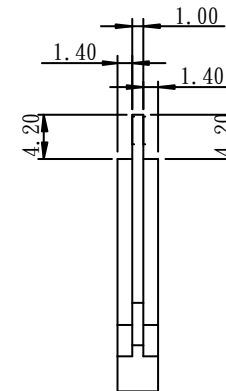
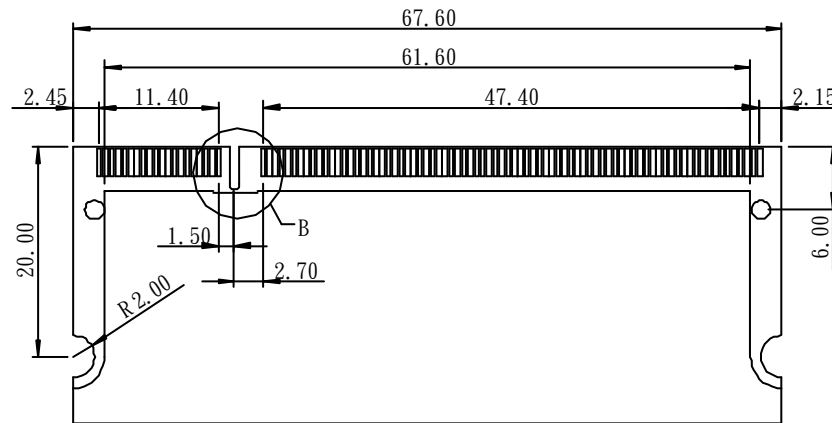
HIGH:9.2mm

90°SMT

煜倫股份有限公司

www.morethanall.com

DESCRIPTION: DDR S.O. DIMM 200P ASSEMBLY



RoHS Compliant

TOLERANCES ARE

MORETHANALL
PCB CONNECTORS
Cable ASSEMBLIES

DRAWING BY CY

X.±

CHECKED BY GENIUS

.X±

UNIT / mm

SCALE 1 : 1

.XX±

DATE

.XXX±

ANG ±

SIZE A4

PJECTION

照片框

ORDER INFORMATION

SDM6-W92V25-A640-LF

SERIES

LEADFREE

160+40 WAY

2.5V
HIGH:9.2mm

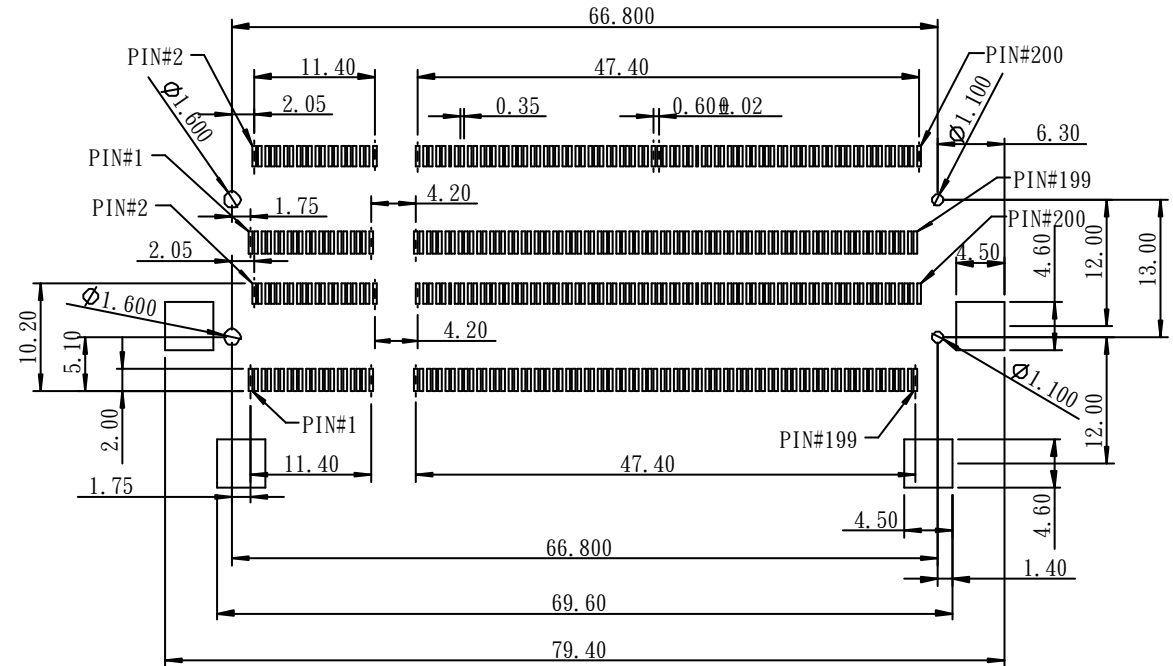
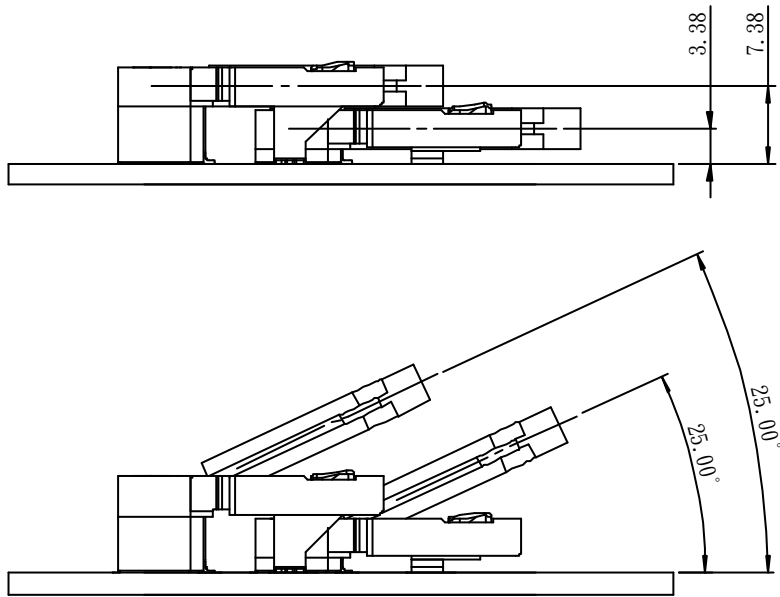
90°SMT

煜倫股份有限公司

www.morethanall.com

DESCRIPTION: DDR S.O. DIMM 200P ASSEMBLY

DDR S.O. DIMM 200P 5.2&9.2 OVERLAY FIGURE



PCB LAYOUT : COMPONENT SIDE(5.2&9.2 TYPE)

RoHS Compliant

TOLERANCES ARE



煜倫股份有限公司

www.morethanall.com

DRAWING BY CY		X. ± .X ± .XX ± .XXX ± ANG ±
CHECKED BY GENIUS		
UNIT / mm	SCALE 1 : 1	
DATE		
SIZE A4	P PROJECTION	

照片框

ORDER INFORMATION

SDM6-W92V25-A640-LF

SERIES | LEADFREE
2.5V | 160+40 WAY
HIGH:9.2mm
90°SMT

DESCRIPTION: DDR S.O. DIMM 200P ASSEMBLY