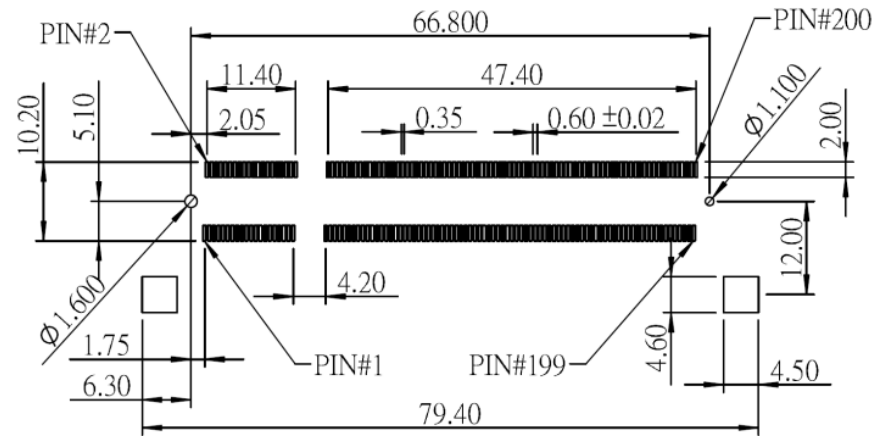
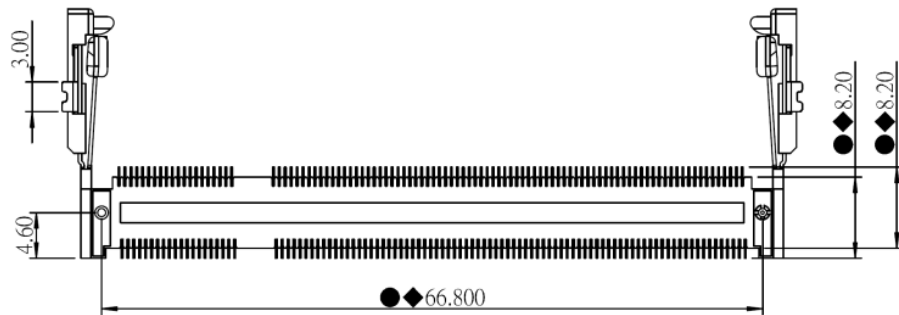
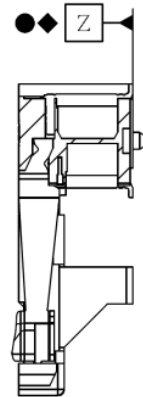


NOTE:
 1. SOLDER TAIL TO BE WITHIN 0.05 UPWARD AND 0.2 DOWNWARD FROM Z-DATUM PLACE, AND COPLANALITY OF SOLDER TAILS TO BE WITHIN 0.10. MEASUREMENT POINT IS SOLDER TAIL TIP.
 2. INSPECTION SYMBOL:
 ● : MANUFACTURER INSPECTION
 ◆ : Q.C INSPECTION



MORETHANALL
 PCB CONNECTORS
 Cable ASSEMBLIES
 煜倫股份有限公司
 www.morethanall.com

RoHS Compliant

DRAWING BY CY
 CHECKED BY GENIUS
 UNIT / mm SCALE 1 : 1
 DATE
 SIZE A4

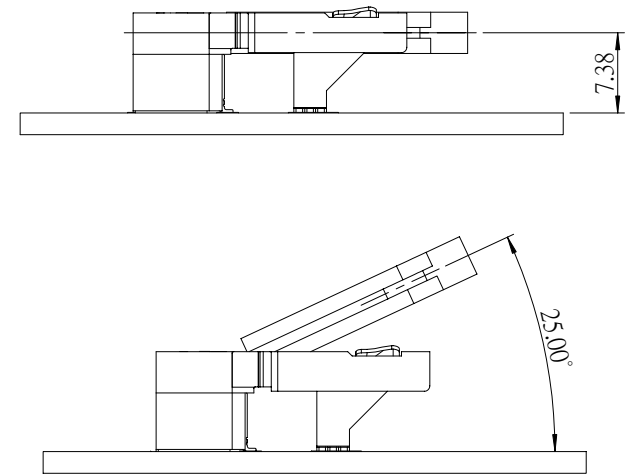
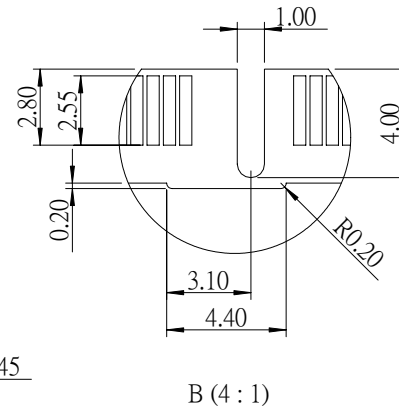
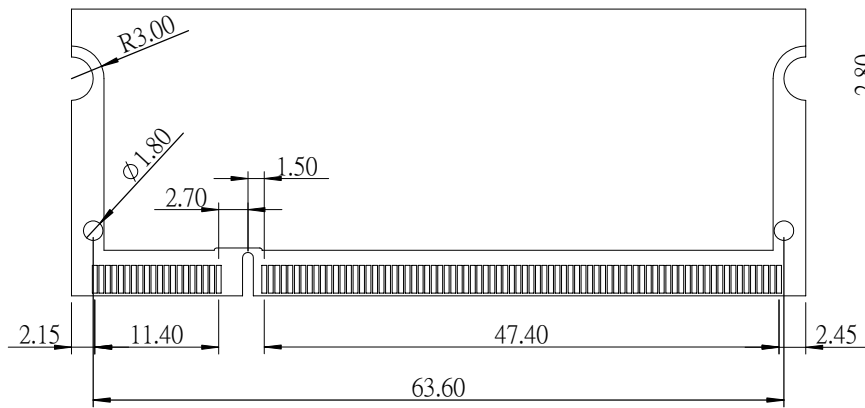
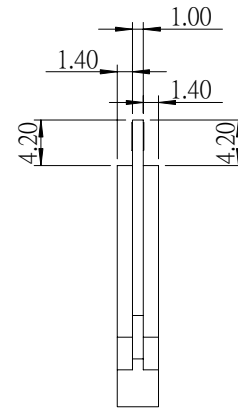
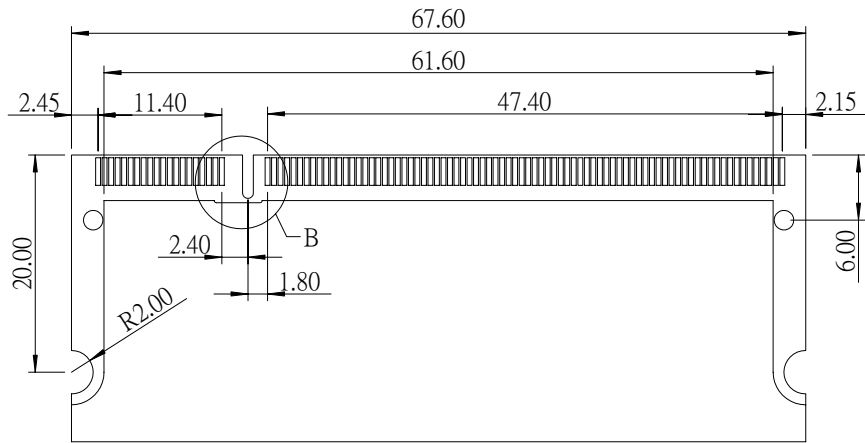
TOLERANCES ARE
 X. ±
 .X ±
 .XX ±
 .XXX ±
 ANG ±

照片框

ORDER INFORMATION

SDM6-W92V18-A640-LF
 SERIES | LEADFREE
 1.8V
 HIGH: 9.2mm
 90°SMT

DESCRIPTION:



RoHS Compliant

TOLERANCES ARE

MORETHANALL
PCB CONNECTORS
Cable ASSEMBLIES

DRAWING BY CY

X. ±

CHECKED BY GENIUS

.X ±

UNIT / mm

SCALE 1 : 1

.XX ±

DATE

.XXX ±

ANG ±

煜倫股份有限公司

www.morethanall.com

SIZE A4

PROJECTION

照片框

ORDER INFORMATION

SDM6-W92V18-A640-LF

SERIES

LEADFREE

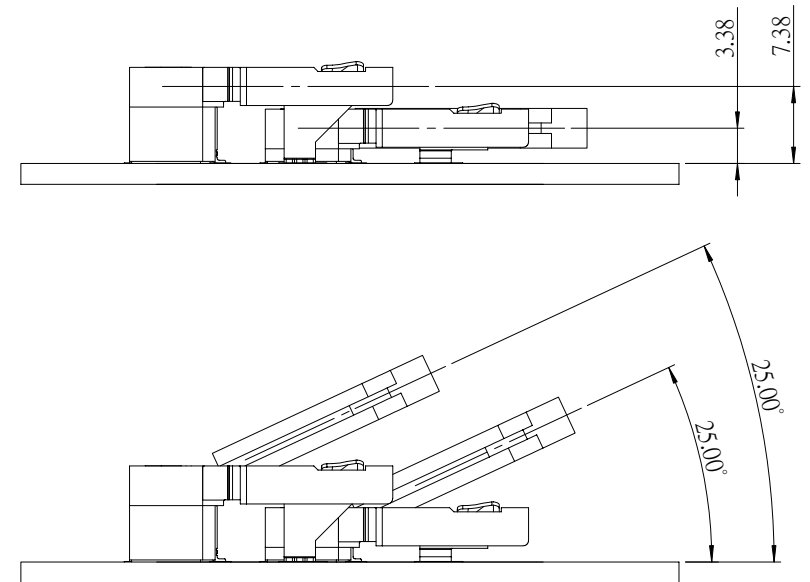
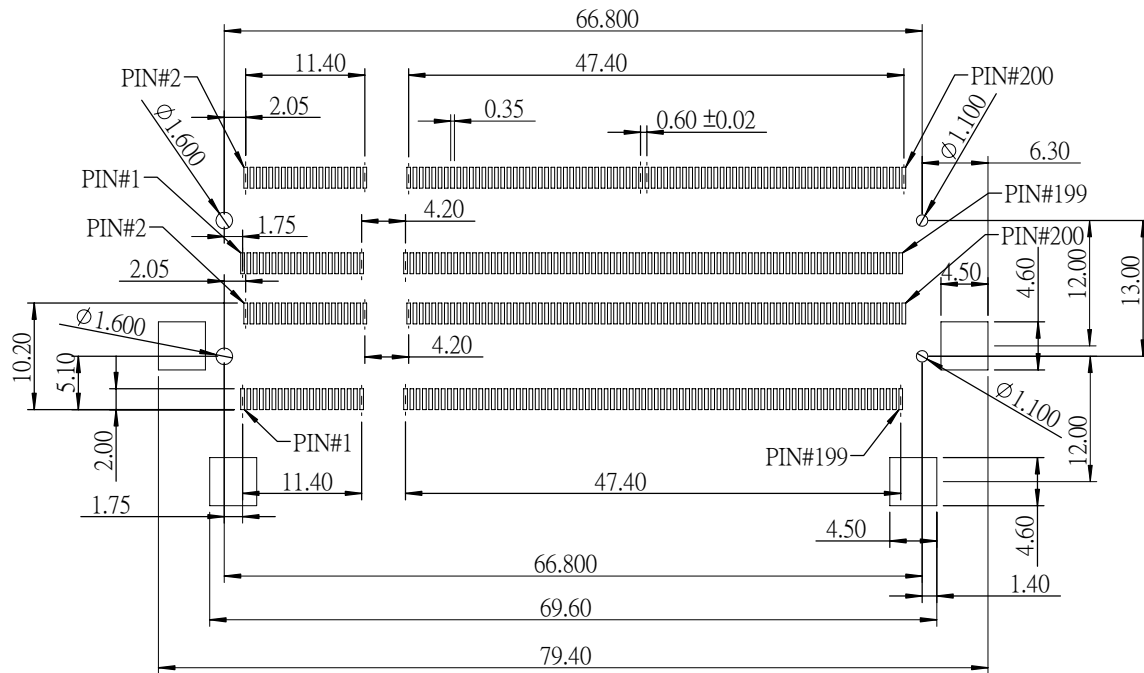
160+40 WAY

1.8V

HIGH:9.2mm

90°SMT

DESCRIPTION:



PCB LAYOUT : COMPONENT SIDE(5.2&9.2 TYPE)

RoHS Compliant

TOLERANCES ARE

MORETHANALL
PCB CONNECTORS
Cable ASSEMBLIES

DRAWING BY CY
CHECKED BY GENIUS
UNIT / mm SCALE 1 : 1
DATE

X. ±
.X ±
.XX ±
.XXX ±
ANG ±

照片框

ORDER INFORMATION

SDM6-W92V18-A640-LF

SERIES | LEADFREE
160+40 WAY
1.8V
HIGH:9.2mm
90°SMT

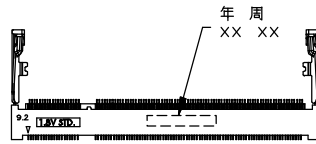
煜倫股份有限公司

www.morethanall.com

SIZE A4

PJECTION

DESCRIPTION:

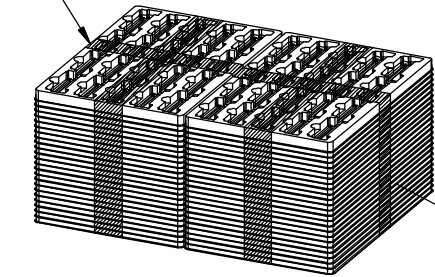
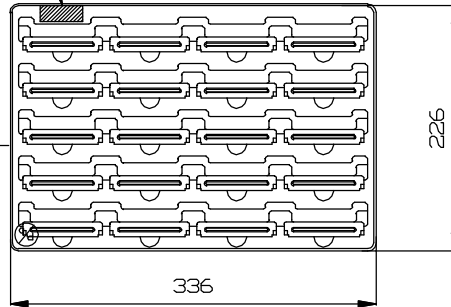


⑥ LABEL
(4cm*1.6cm, GREEN)

① TRAY

② COVER

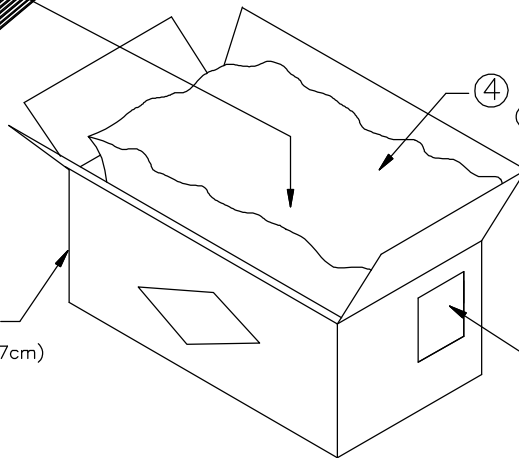
⑦ TAPE



4X(1COVER+9TRAY)

④ POLY BAG
(95cm*85cm*0.05mm)

③ CARTON
(48.5cm*35.5cm*27cm)



⑤ LABEL
(10cm*10cm, GREEN)

	MATERIAL	P/N	REMARKS
1	TRAY	TRAY 070-004B	36 TRAY X 20PCS
2	COVER	TRAY 070-004B	4X(1COVER+9TRAY)
3	CARTON	CTN-1100D	CARTON/36 TRAYS/720PCS
4	POLY BAG	P-0001	1 POLY BAG/CARTON
5	LABEL(for RoHS)	CTP-00004	1 LABEL/CARTON
6	LABEL(for RoHS)	CTB-00002	1 LABEL/TRAY
7	TAPE		

RoHS Compliant

TOLERANCES ARE

MORETHANALL
PCB CONNECTORS
Cable ASSEMBLIES

DRAWING BY CY

CHECKED BY GENIUS

UNIT / mm

SCALE 1 : 1

DATE

SIZE A4

X. ±
.X ±
.XX ±
.XXX ±
ANG ±

PJECTION

照片框

ORDER INFORMATION

SDM6-W92V18-A640-LF

SERIES

LEADFREE

160+40 WAY

1.8V
HIGH:9.2mm

90°SMT

煜倫股份有限公司

www.morethanall.com

DESCRIPTION: