

NOTES:

1. MATERIAL SPECIFICATION:
  - 1-1. HOUSING: LCP+40%GF, UL94V-0, COLOR:SEE TABLE.
  - 1-2. CONTACT:COPPER ALLOY\_C7025.
  - 1-3. LATCH: STAINLESS STEEL-SUS301.
2. PLATING SPECIFICATION:
  - 2-1. CONTACT: 50u" MIN.NICKEL UNDER PLATING OVER ALL. GOLD FLASH ON SOLDER AREA. GOLD PLATING ON CONTACT AREA.(DETAIL SEE TABLE)
  - 2-2. LATCH: 50u" MIN. NICKEL UNDER PLATING OVER ALL . 80u" MIN. MATTE TIN PLATING ON SOLDER AREA.
3. HF COMPLIANT.
4. MECHANICAL PERFORMANCE:
  - 4-1. DURABILITY: 25 CYCLES.
5. ELECTRICAL PERFORMANCE:
  - 5-1. CURRENT: 0.5A MAX. PER PIN.
  - 5-2. LLCR: INITIAL 30mΩ MAX. ; FINAL ΔLLCR=10mΩ MAX..
  - 5-3. INSULATION RESISTANCE: DC 100V 500MΩ MIN..
6. RESISTANCE TO HEAT:
 

THE TEMPERATURE SHALL BE 260±5° C MAINTAINING 10±1 SECONDS.

RoHS Compliant

TOLERANCES ARE

**MORETHANALL**  
PCB CONNECTORS  
Cable ASSEMBLIES

DRAWING BY CY

CHECKED BY GENIUS

UNIT / mm

SCALE 1 : 1

DATE

SIZE A4

X. ±  
.X ± 0.35  
.XX ± 0.25  
.XXX ± 0.15  
ANG ±

PJECTION

照片框

ORDER INFORMATION

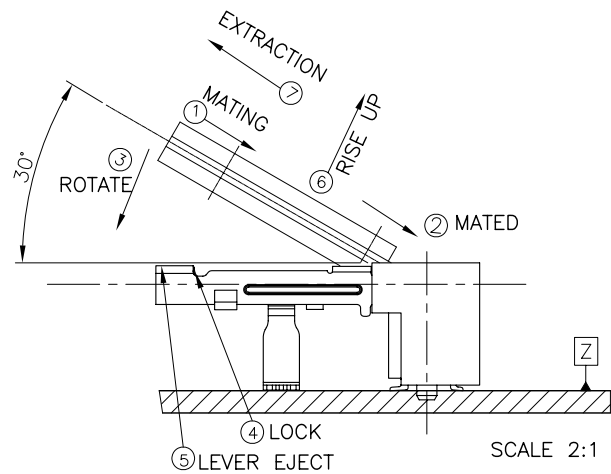
SDM6-W92V15CFGR-A372-LF

SERIES | | | | | LEADFREE  
| | | | | 204 WAY  
| | | | | REEL  
90°SMT | | | | | COMPACT FOOTPRINT  
| | | | | 1.5V  
HIGH 9.2mm

煜倫股份有限公司

www.morethanall.com

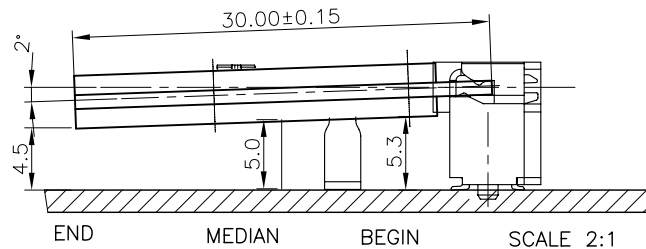
DESCRIPTION: CFC SODDR3 9.2H RVS TYPE ;HF



**HOW TO MATE AND UNMATE**

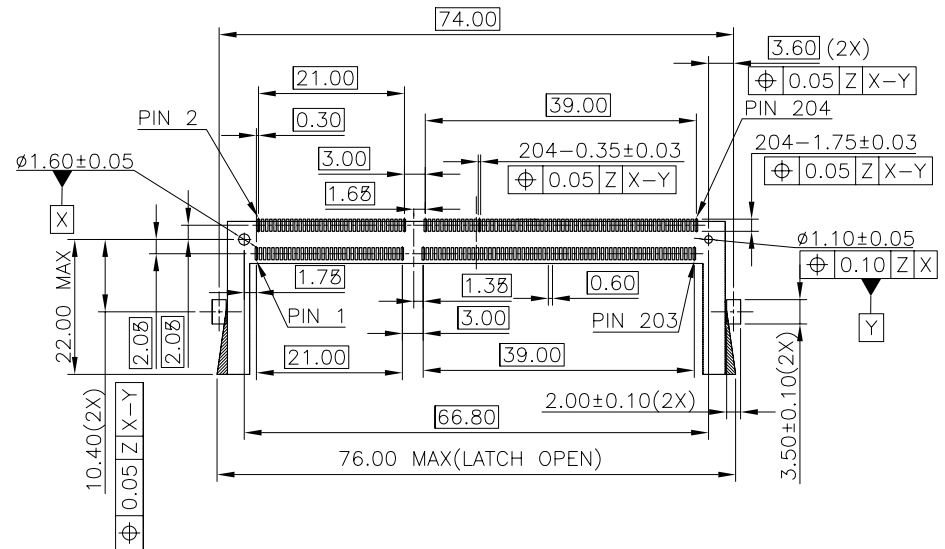
- MATE: ① → ④  
 UNMATE: ⑤ → ⑦

30° MAX. MODULE INSERTION ANGLE TO ENGAGE LATCH



MAX. MODULE HEIGHT=30.15MM		
END	MEDIAN	BEGIN
4.50	5.00	5.30

2° MAX. MODULE OVERLOAD ANGLE TO ENGAGE LATCH.  
 MAXIMUM RECOMMENDED COMPONENT HEIGHT ALLOWED ON MOTHERBOARD.



**RECOMMENDED PCB LAYOUT(TOP VIEW)**  
 DEFAULT TOLERANCE ±0.05MM



煜倫股份有限公司

www.morethanall.com

**RoHS Compliant**

DRAWING BY CY  
 CHECKED BY GENIUS  
 UNIT / mm SCALE 1 : 1  
 DATE  
 SIZE A4 PPROJECTION

TOLERANCES ARE

X. ±  
 .X ± 0.35  
 .XX ± 0.25  
 .XXX ± 0.15  
 ANG ±

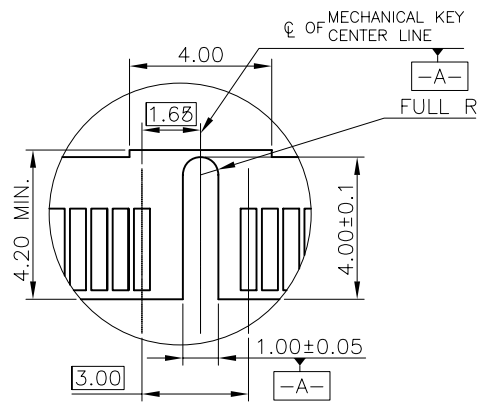
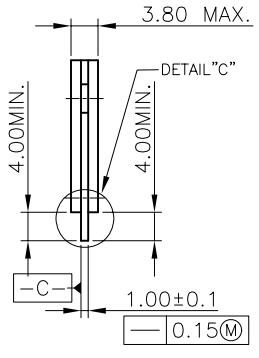
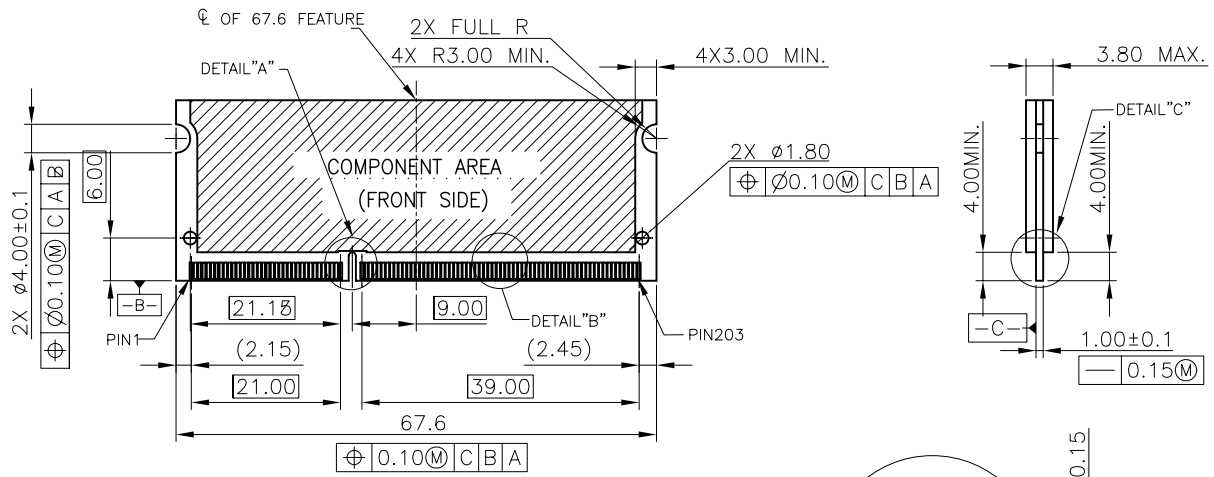
照片框

**ORDER INFORMATION**

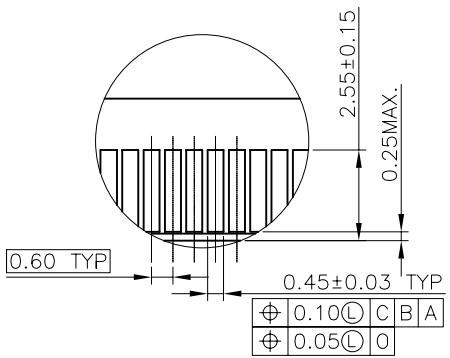
**SDM6-W92V15CFGR-A372-LF**

SERIES | 90°SMT | 1.5V | HIGH 9.2mm | 204 WAY | REEL | COMPACT FOOTPRINT | LEADFREE

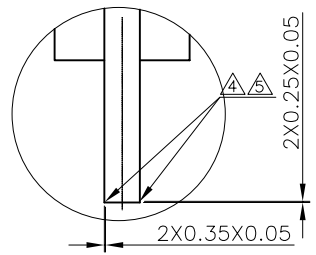
DESCRIPTION: CFC SODDR3 9.2H RVS TYPE ;HF



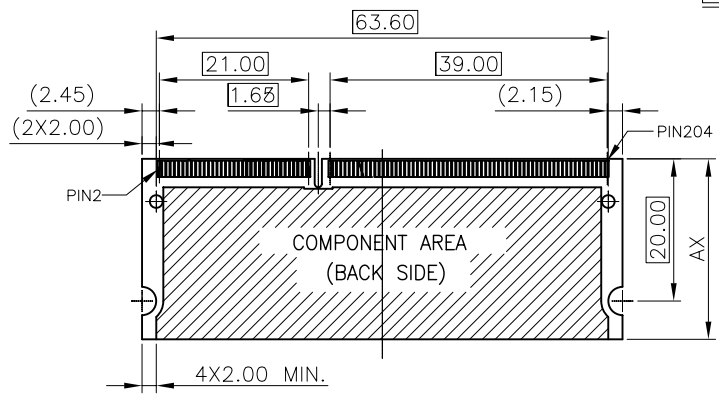
DETAIL A  
SCALE 5:1



DETAIL B  
SCALE 5:1



DETAIL 'C'  
SCALE 5:1



RECOMMENDED MATING P.C.B CONFIGURATION  
RECOMMENDED P.C.B THICKNESS: 1.00±0.05MM  
DEFAULT TOLERANCE ±0.05MM

- NOTES:
- 1.PCB THICKNESS APPLIES ACROSS TABS AND INCLUDES PLATING AND/OR METALIZATION.
  - 2.FINISH OF PAD: Au PLATING 0.76um MIN. OVER Ni PLATING 2um MIN.
  - 3.NO BURR.
  - 4.CHAMFER 0.25mm MAX. X 45° IF EXIST.

SDRAM VARIATIONS			
"A" DIMENSION	A1	A2	A3
MIN.	25.25	29.85	31.60
NOMINAL	25.40	30.00	31.75
MAX.	25.55	30.15	31.90

RoHS Compliant

TOLERANCES ARE



DRAWING BY CY

CHECKED BY GENIUS

UNIT / mm SCALE 1:1

DATE

SIZE A4

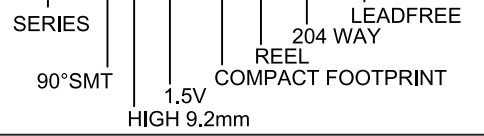
X, ±  
.X ± 0.35  
.XX ± 0.25  
.XXX ± 0.15  
ANG ±

PJECTION

照片框

ORDER INFORMATION

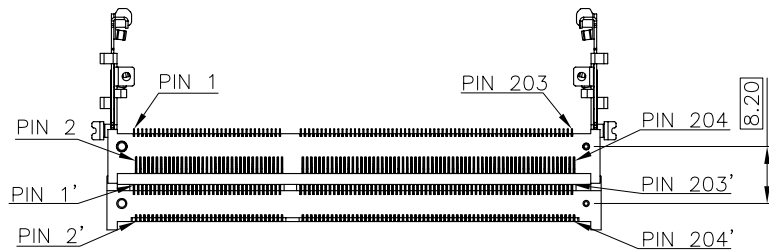
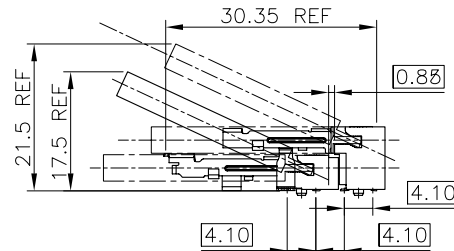
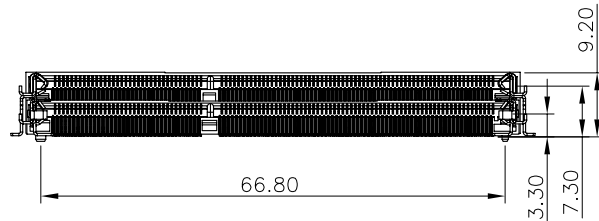
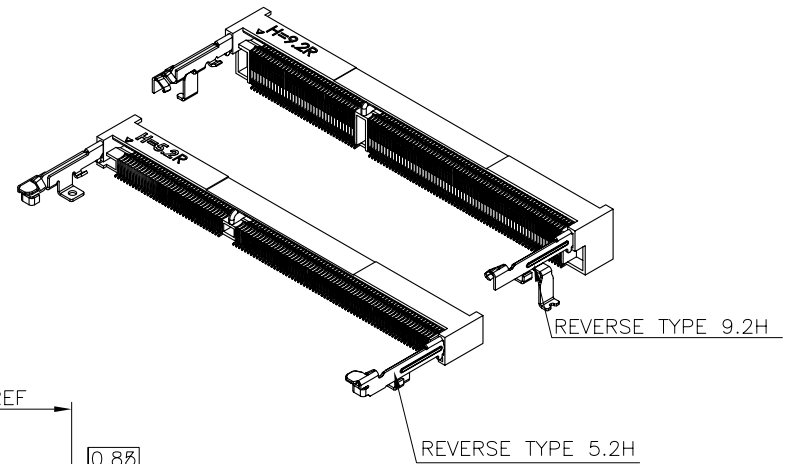
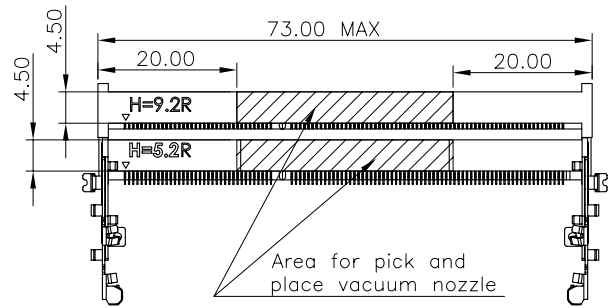
SDM6-W92V15CFGR-A372-LF



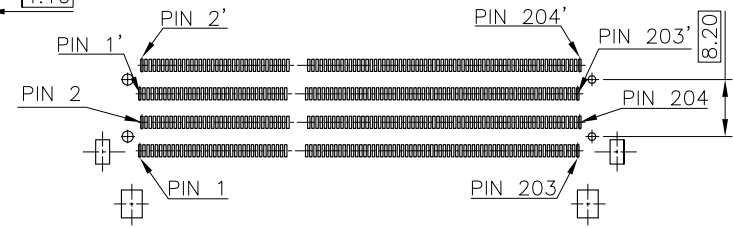
DESCRIPTION: CFC SODDR3 9.2H RVS TYPE ;HF

煜倫股份有限公司

www.morethanall.com



STACKED REVERSE ORIENTATION



RECOMMENDED PCB LAYOUT(TOP VIEW)  
DEFAULT TOLERANCE ±0.05MM

RoHS Compliant

TOLERANCES ARE

**MORETHANALL**  
PCB CONNECTORS  
Cable ASSEMBLIES

DRAWING BY CY

CHECKED BY GENIUS

UNIT / mm SCALE 1 : 1

DATE

SIZE A4

X, ±  
.X ± 0.35  
.XX ± 0.25  
.XXX ± 0.15  
ANG ±

PJECTION

照片框

ORDER INFORMATION

SDM6-W92V15CFGR-A372-LF

SERIES

90°SMT

1.5V

HIGH 9.2mm

LEADFREE

204 WAY

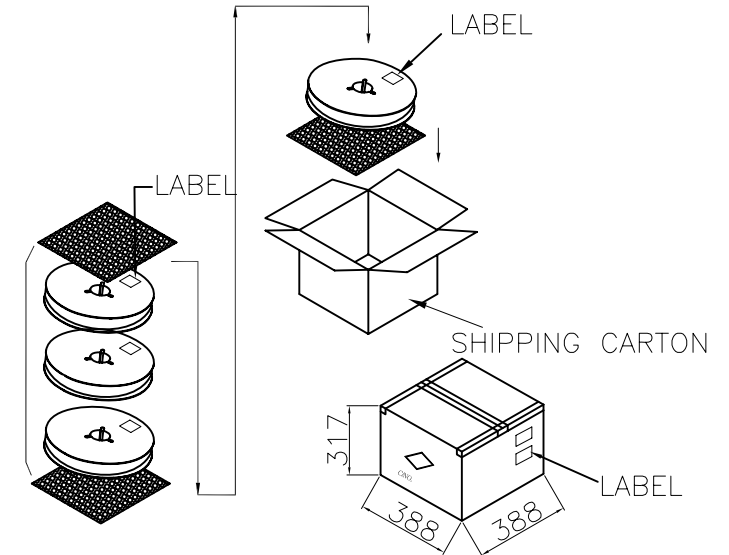
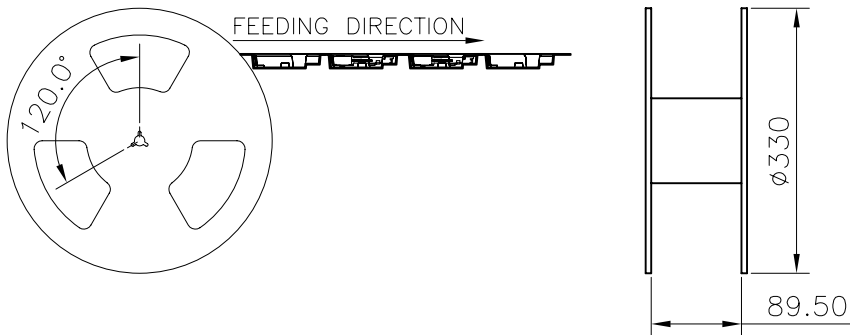
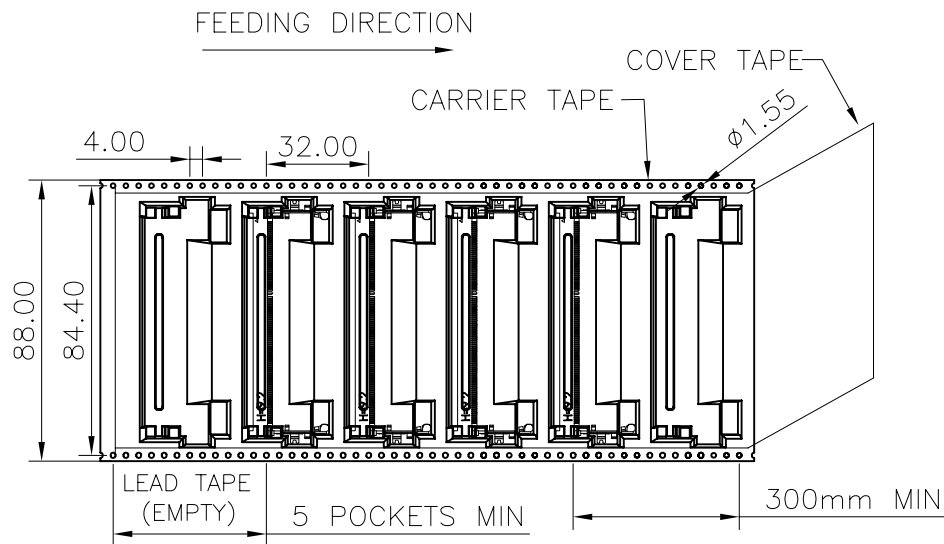
REEL

COMPACT FOOTPRINT

煜倫股份有限公司

www.morethanall.com

DESCRIPTION: CFC SODDR3 9.2H RVS TYPE ;HF



NOTES:

1. MATERIAL :
  - 1.1 CARRY TAPE: PS
  - 1.2 COVER TAPE: PET
  - 1.3 SHIPPING CARTON: CORRUGATED FIBER
2. DIMENSION :
  - 2.1 REEL: W=88.0,  $\phi A=380$
  - 2.2 SHIPPING CARTON: L=335, W=335, H=300 (INNER)
3. QUANTITY :
  - 3.1 PRIMARY PACKING: 100 PCS/REEL
  - 3.2 SECONDARY PACKING: 3 REELS/CARTON(300PCS)
4. PEELING RESISTANCE: 20gf~120gf.
5. PEELING SPEED: 300mm/minutes.

RoHS Compliant

TOLERANCES ARE

**MORETHANALL**  
PCB CONNECTORS  
Cable ASSEMBLIES

煜倫股份有限公司

www.morethanall.com

DRAWING BY CY

CHECKED BY GENIUS

UNIT / mm SCALE 1 : 1

DATE

SIZE A4

X,  $\pm$   
.X  $\pm$  0.35  
.XX  $\pm$  0.25  
.XXX  $\pm$  0.15  
ANG  $\pm$

P PROJECTION

照片框

ORDER INFORMATION

SDM6-W92V15CFGR-A372-LF

SERIES | 90°SMT | 1.5V | HIGH 9.2mm | 204 WAY | REEL | COMPACT FOOTPRINT | LEADFREE

DESCRIPTION: CFC SODDR3 9.2H RVS TYPE ;HF