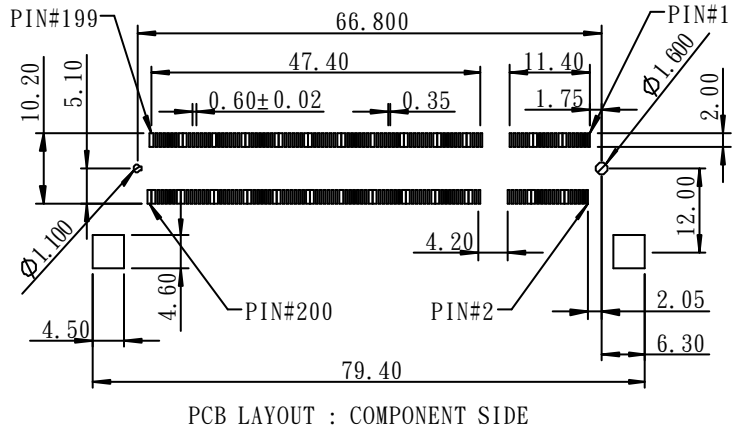


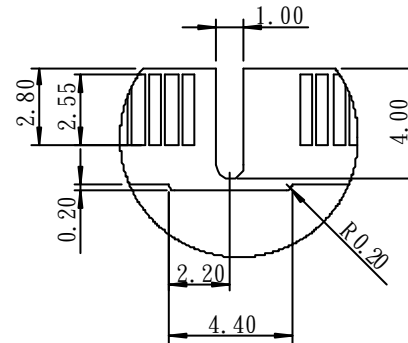
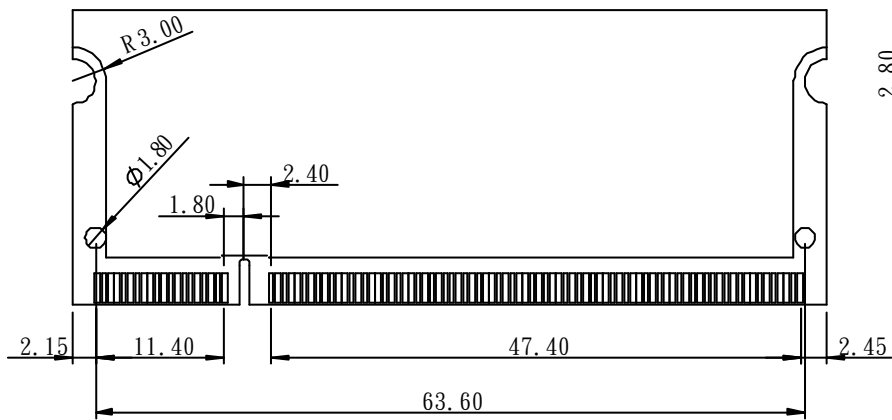
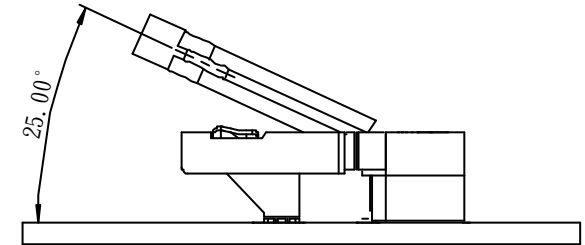
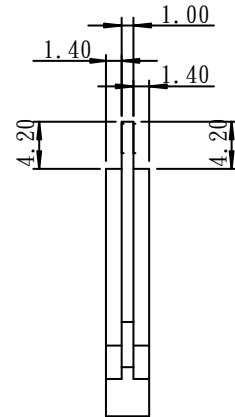
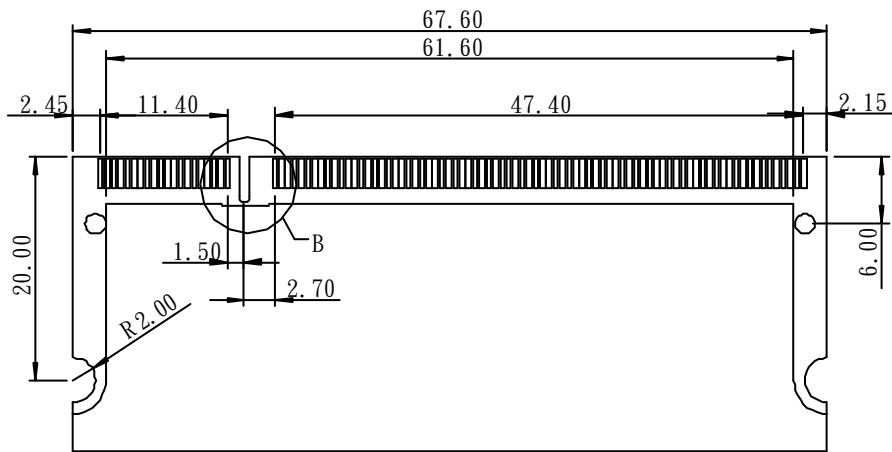
NOTE:  
 1. SOLDERTAIL TO BE WITHIN 0.05 UPWARD AND 0.2 DOWNWARD FROM Z-DATUM PLACE, AND COPLANALITY OF SOLDERTAILS TO BE WITHIN 0.10 MEASUREMENT POINT IS SOLDERTAILS TIP.  
 2. CONTACT PLATING: UNDERPLATE 50 μ" NICKEL, CONTACT AREA: GOLD 3 μ" SELECTIVE SOLDERTAILS AREA  
 3. INSPECTION SYMBOL:  
 ● : MANUFACTURER INSPECTION  
 ◆ : Q.C INSPECTION



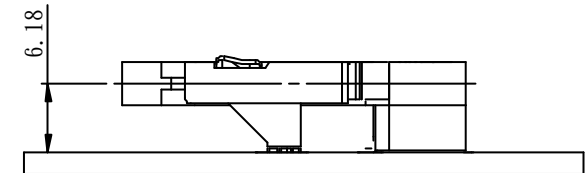
SDM6-W80V25-40A6-LF  
 LEADFREE

RoHS Compliant

B			PART NO. SDM6-W80V25-40A6		TOLERANCES ARE	DESCRIPTION: DDR S.O. DIMM 200P ASSEMBLY				
			DWG NO. SDM6-W80V25-40A6							CHECKED BY CY
A	焯倫股份有限公司		FILE NO.		DRAWING BY	.X ± 0.2 .XX ± .XXX ± AWG	AREA	REVISIONS	HK	DATE
			UNIT / mm	SCALE 1:1						



B (4 : 1)



**MORETHANALL**  
CONNECTORS  
ASSEMBLIES

煜倫股份有限公司

PART NO. SDM6-W80V25-40A6

DWG NO. SDM6-W80V25-40A6

FILE NO.

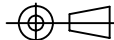
UNIT / mm

SCALE 1:1

CHECKED BY CY

DRAWING BY

PROJECTION



TOLERANCES ARE

.X ± 0.2

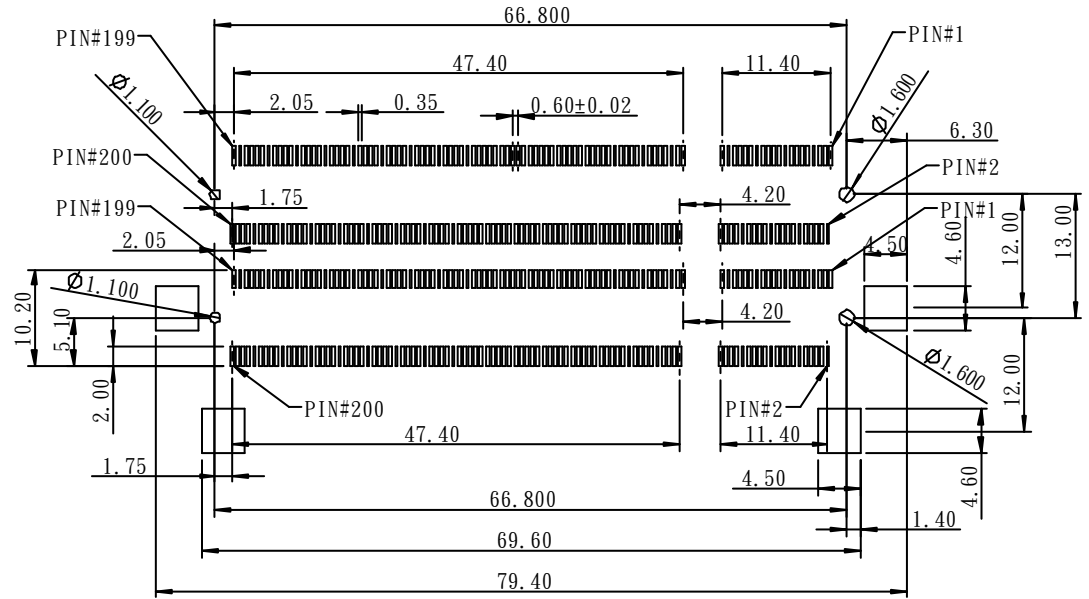
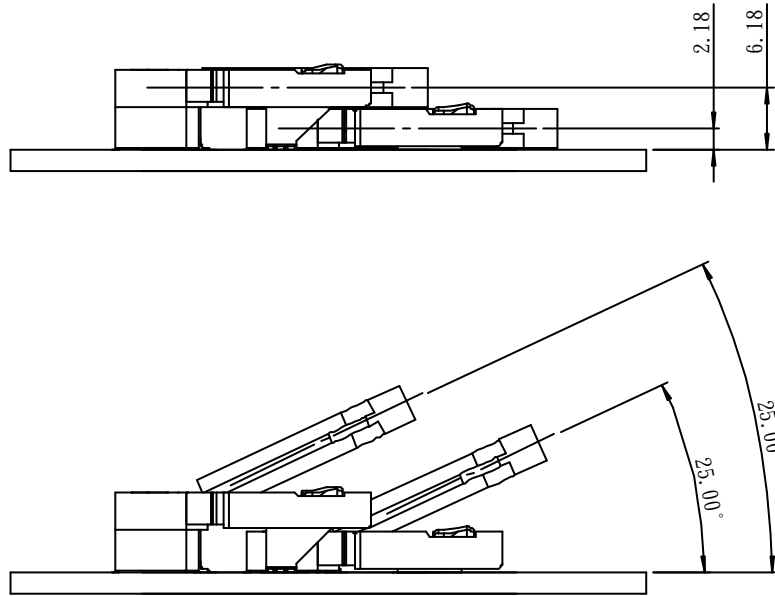
.XX ±

.XXX ±

AWG

DESCRIP TION:			
AREA	REVISIONS	HK	DATE

DDR S.O. DIMM 200P 4.0&8.0 OVERLAY FIGURE



PCB LAYOUT : COMPONENT SIDE(4.0&8.0 TYPE)



PART NO. SDM6-W80V25-40A6

DWG NO. SDM6-W80V25-40A6

CHECKED BY CY

TOLERANCES ARE

DESCRIPTION:

FILE NO.

DRAWING BY

.X ± 0.2  
.XX ±  
.XXX ±  
AWG

AREA

REVISIONS

HK

DATE

煜倫股份有限公司

UNIT / mm

SCALE 1:1

PROJECTION

