

NOTE:

- SOLDERTAIL TO BE WITHIN 0.05 UPWARD AND 0.2 DOWNWARD FROM Z-DATUM PLACE, AND COPLANALITY OF SOLDERTAILS TO BE WITHIN 0.10 MEASUREMENT POINT IS SOLDERTAILS TIP.
- CONTACT PLATING: UNDERPLATE 50" NICKEL, CONTACT AREA GOLD 3μ" SELECTIVE SOLDERTAILS AREA
- INSPECTION SYMBOL:
 ● : MANUFACTURER INSPECTION
 ◆ : Q.C INSPECTION

SDM6-W80V18-A640-LF
 LEADFREE
 RoHS Compliant



PART NO. SDM6-W80V18-A640

DWG NO. SDM6-W80V18-A640

CHECKED BY CY

TOLERANCES ARE

DESCRIP TION:

FILE NO.

DRAWING BY

.X ± 0.2

.XX ± 0.1

AREA

REVISIONS

HK

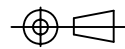
DATE

煜倫股份有限公司

UNIT / mm

SCALE 1:1

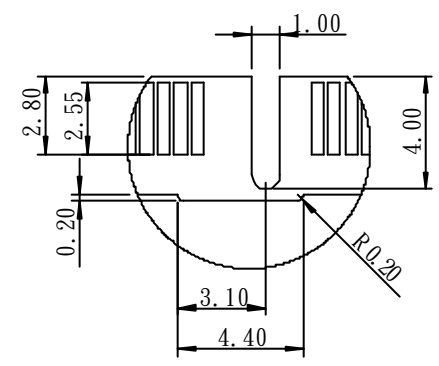
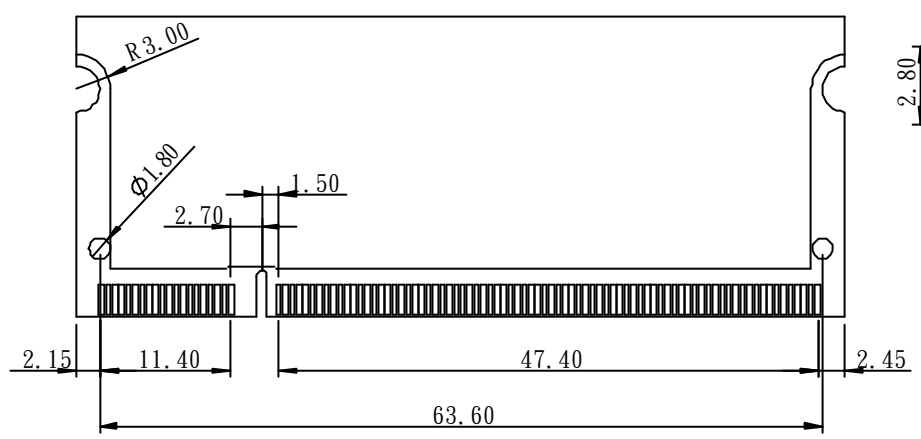
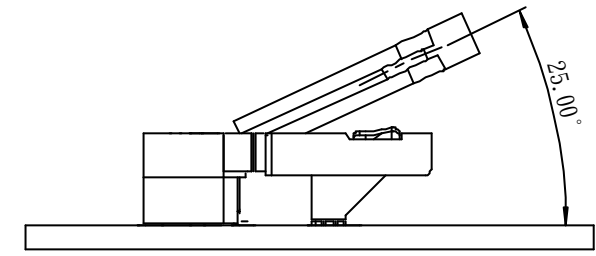
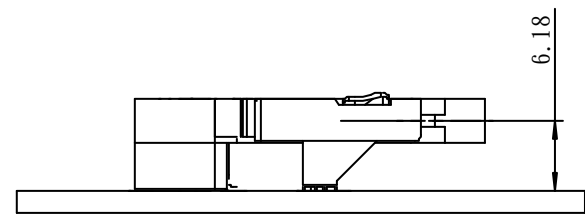
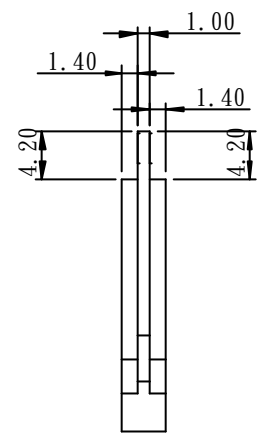
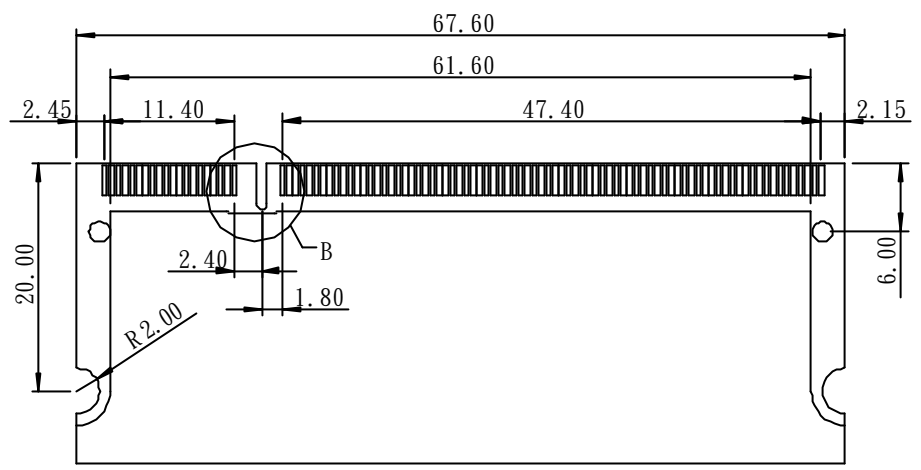
PROJECTION



.XXX ± AWG

1 2 3 4 5 6 7 8 9 0

J
I
H
G
F
E
D
C
B
A



B (4 : 1)

MORETHANALL
CONNECTORS
ASSEMBLIES

焜倫股份有限公司

PART NO. SDM6-W80V18-A640

DWG NO. SDM6-W80V18-A640

FILE NO.

UNIT / mm

SCALE 1:1

CHECKED BY CY

DRAWING BY

PROJECTION

TOLERANCES ARE

.X ± 0.2
.XX ± 0.1
.XXX ±
AWG

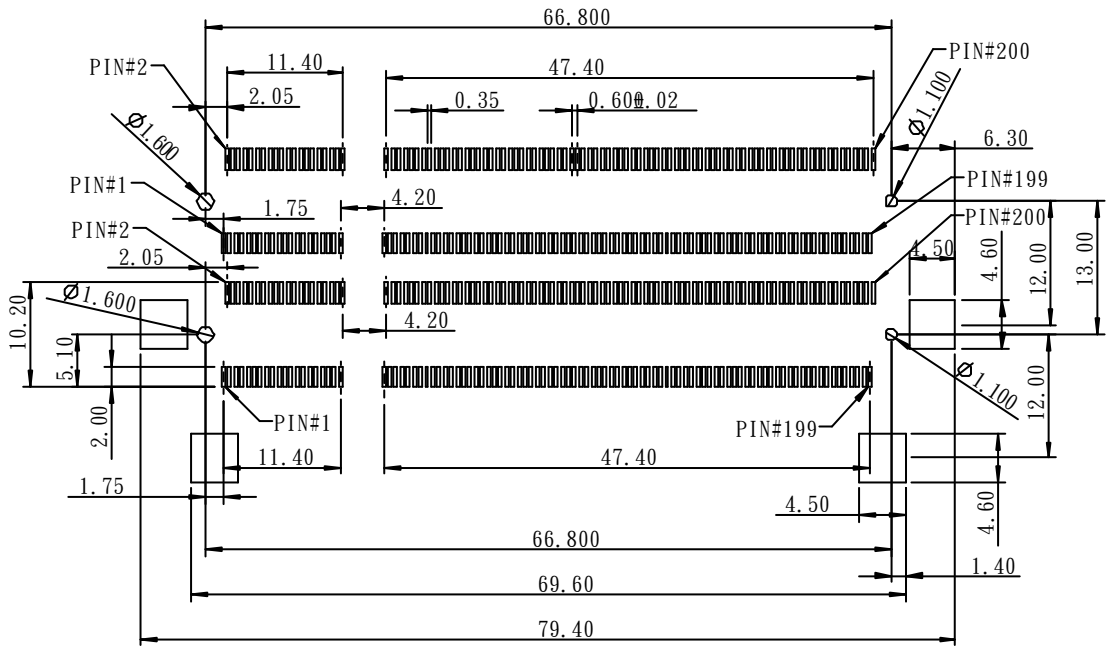
DESCRIPTION:

AREA

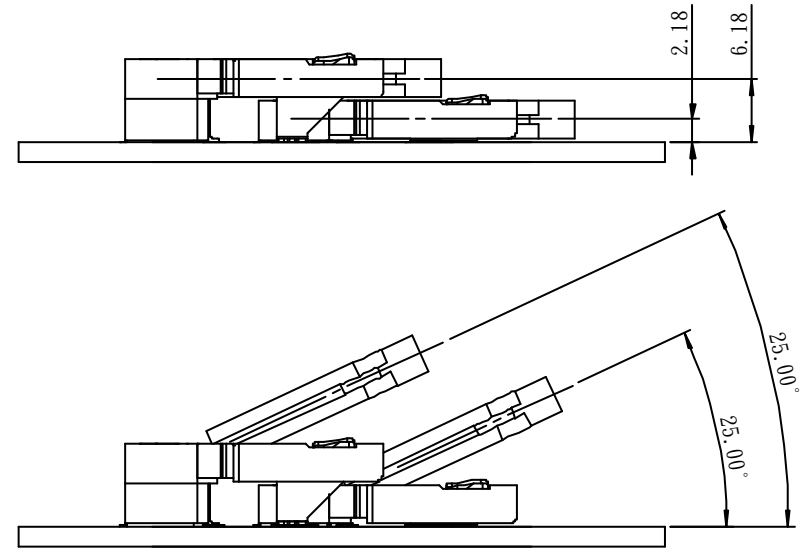
REVISIONS

HK

DATE



DDR S.O. DIMM 200P 4.0&8.0 OVERLAY FIGURE



PART NO.SDM6-W80V18-A640

DWG NO. SDM6-W80V18-A640

CHECKED BY CY

TOLERANCES ARE

DESCRIP TION:

煜倫股份有限公司

FILE NO.

DRAWING BY

.X ± 0.2
.XX ± 0.1
.XXX ±
AWG

UNIT / mm

SCALE 1:1

PROJECTION

AREA

REVISIONS

HK

DATE