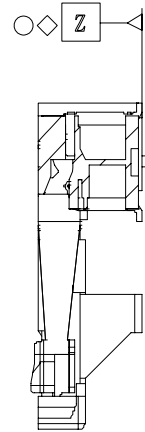
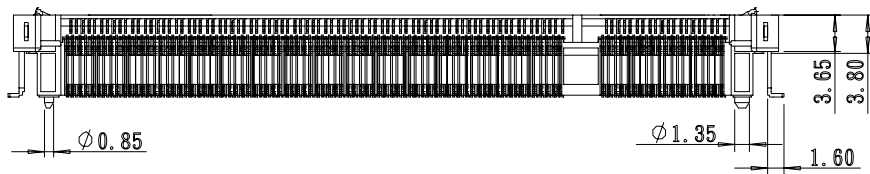
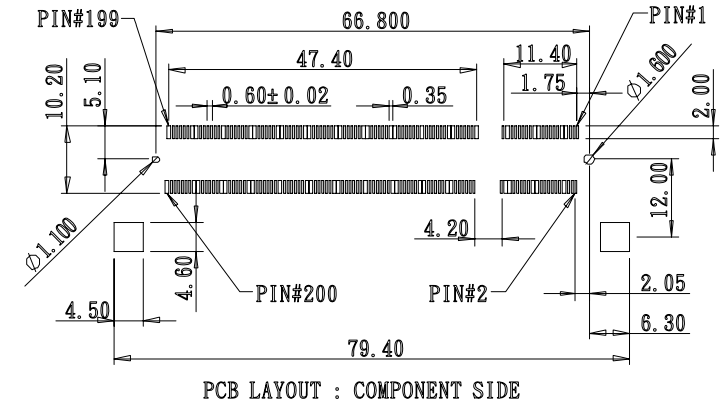
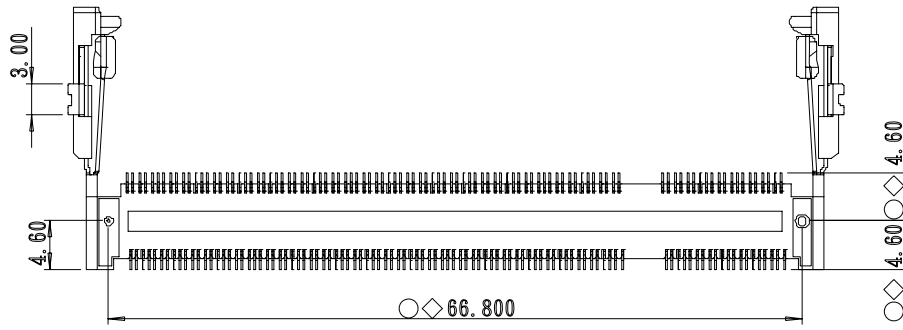


NOTE:

- SOLDERTAIL TO BE WITHIN 0.05 UPWARD AND 0.2 DOWNWARD FROM Z-DATUM PLACE, AND COPLANALITY OF SOLDERTAILS TO BE WITHIN 0.10. MEASUREMENT POINT IS SOLDERTAILS TIP.
- CONTACT PLATING: UNDERPLATE 50μ" NICKEL, CONTACT AREA GOLD 3μ"
- INSPECTION SYMBOL:  
 ○ : MANUFACTURER INSPECTION  
 ◇ : Q. C INSPECTION



A-A (2 : 1)



RoHS Compliant

TOLERANCES ARE

**MORETHANALL**  
PCB CONNECTORS  
Cable ASSEMBLIES

DRAWING BY CY

X. ±

CHECKED BY GENIUS

.X ±

UNIT / mm

SCALE 1 : 1

.XXX ±

DATE

ANG ±

SIZE A4

PJECTION

照片框

ORDER INFORMATION

SDM6-W80V18-40A6-LF

SERIES

LEADFREE

1.8V

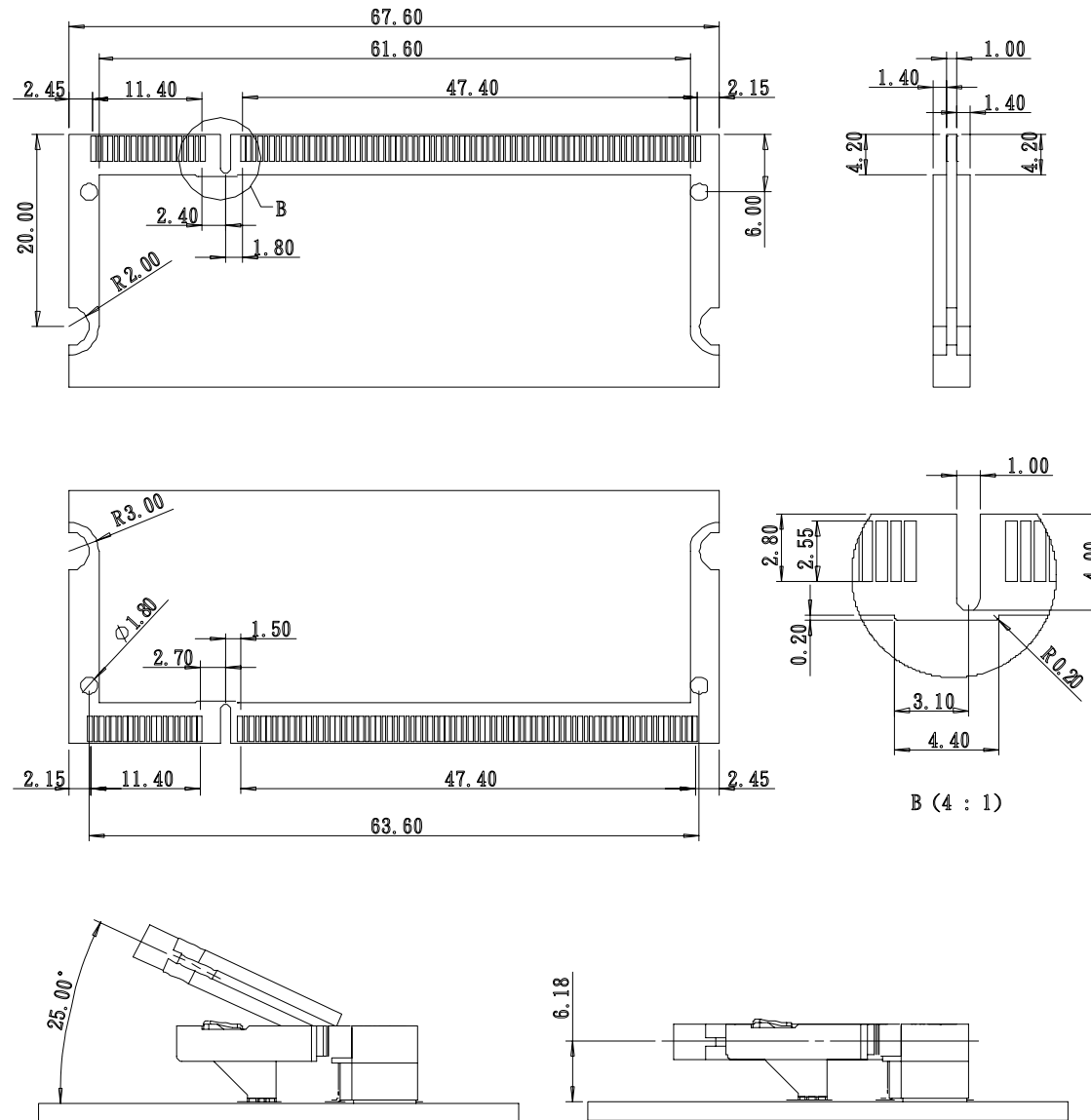
HIGH:8.0mm

90°SMT

煜倫股份有限公司

www.morethanall.com

DESCRIPTION: DDR S.O. DIMM 200P ASSEMBLY



**MORETHANALL**  
PCB CONNECTORS  
Cable ASSEMBLIES

煜倫股份有限公司

www.morethanall.com

RoHS Compliant

DRAWING BY CY  
CHECKED BY GENIUS  
UNIT / mm SCALE 1 : 1  
DATE  
SIZE A4

TOLERANCES ARE

X. ±  
.X ±  
.XX ±  
.XXX ±  
ANG ±

PJECTION

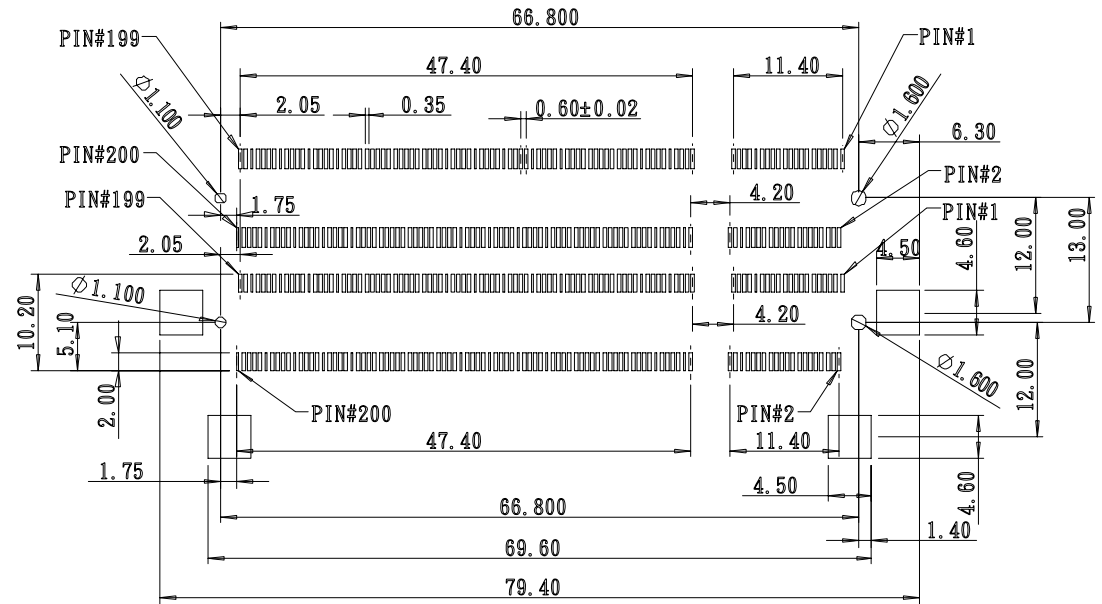
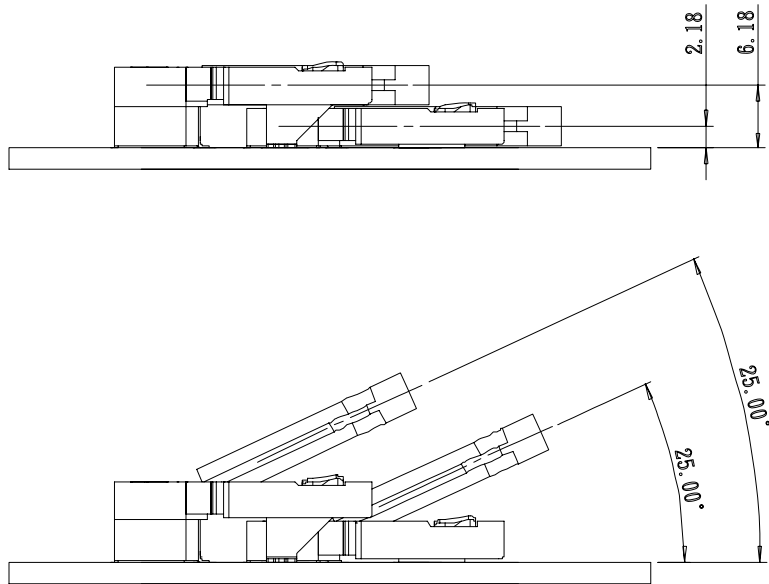
照片框

ORDER INFORMATION

SDM6-W80V18-40A6-LF  
SERIES | 1.8V | HIGH:8.0mm | 90°SMT  
LEADFREE  
40+160 WAY

DESCRIPTION: DDR S.O. DIMM 200P ASSEMBLY

DDR S.O. DIMM 200P 4.0&8.0 OVERLAY FIGURE



PCB LAYOUT : COMPONENT SIDE(4.0&8.0TYPE)

RoHS Compliant

TOLERANCES ARE

**MORETHANALL**  
PCB CONNECTORS  
Cable ASSEMBLIES

DRAWING BY CY

X.±

CHECKED BY GENIUS

.X±

UNIT / mm

SCALE 1:1

.XX±

DATE

.XXX±

ANG±

煜倫股份有限公司

www.morethanall.com

SIZE A4

PJECTION

照片框

ORDER INFORMATION

SDM6-W80V18-40A6-LF

SERIES

LEADFREE

1.8V

HIGH:8.0mm

90°SMT

40+160 WAY

DESCRIPTION: DDR S.O. DIMM 200P ASSEMBLY