

NOTE:

- SOLDERTAIL TO BE WITHIN 0.05 UPWARD AND 0.2 DOWNWARD FROM Z-DATUM PLACE, AND COPLANALITY OF SOLDERTAILS TO BE WITHIN 0.10. MEASUREMENT POINT IS SOLDERTAILS TIP.

2. INSPECTION SYMBOL:

- : MANUFACTURER INSPECTION
- ◆ : Q.C INSPECTION

MORETHANALL
PCB CONNECTORS
Cable ASSEMBLIES

煜倫股份有限公司

www.morethanall.com

RoHS Compliant

DRAWING BY CY
CHECKED BY GENIUS
UNIT / mm SCALE 1 : 1
DATE
SIZE A4

TOLERANCES ARE

X. ± 0.30
.X ± 0.20
.XX ± 0.10
.XXX ± 0.05
ANG ±

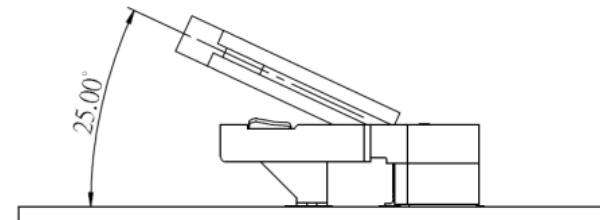
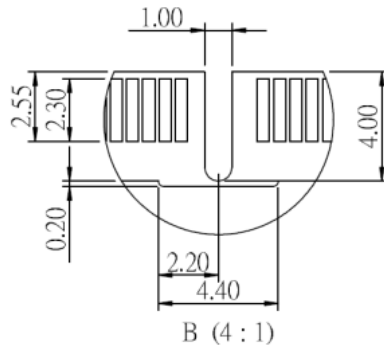
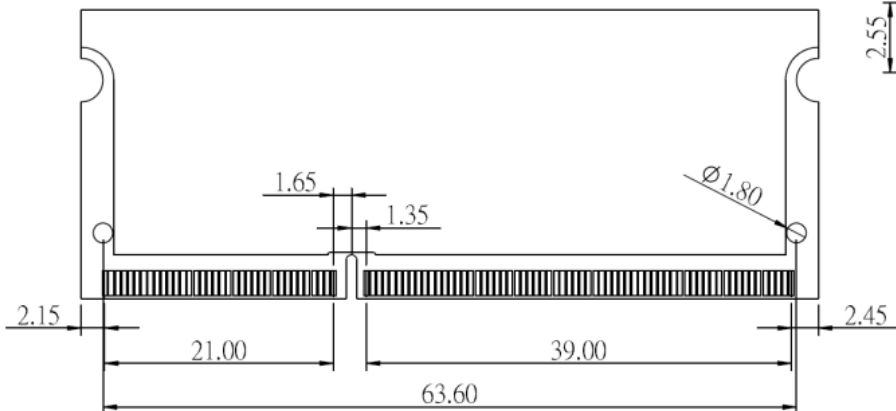
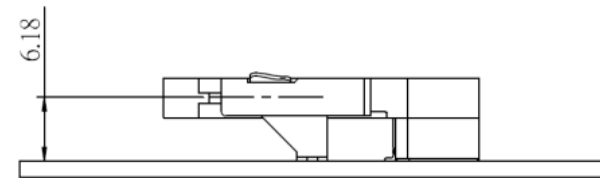
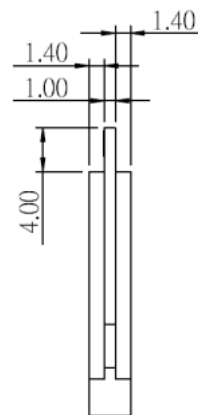
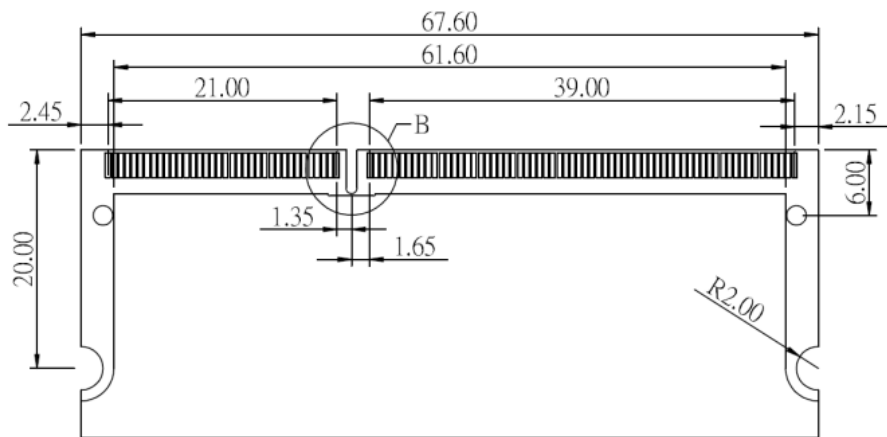
P PROJECTION

照片框

ORDER INFORMATION

SDM6-W80V15R-A372-LF
SERIES | REEL | LEADFREE
1.5V HIGH 8.0mm
90°SMT
204 WAY

DESCRIPTION:



RoHS Compliant

TOLERANCES ARE

MORETHANALL
PCB CONNECTORS
Cable ASSEMBLIES

煜倫股份有限公司

www.morethanall.com

DRAWING BY CY

CHECKED BY GENIUS

UNIT / mm SCALE 1 : 1

DATE

SIZE A4

X. ± 0.30
.X ± 0.20
.XX ± 0.10
.XXX ± 0.05
ANG ±

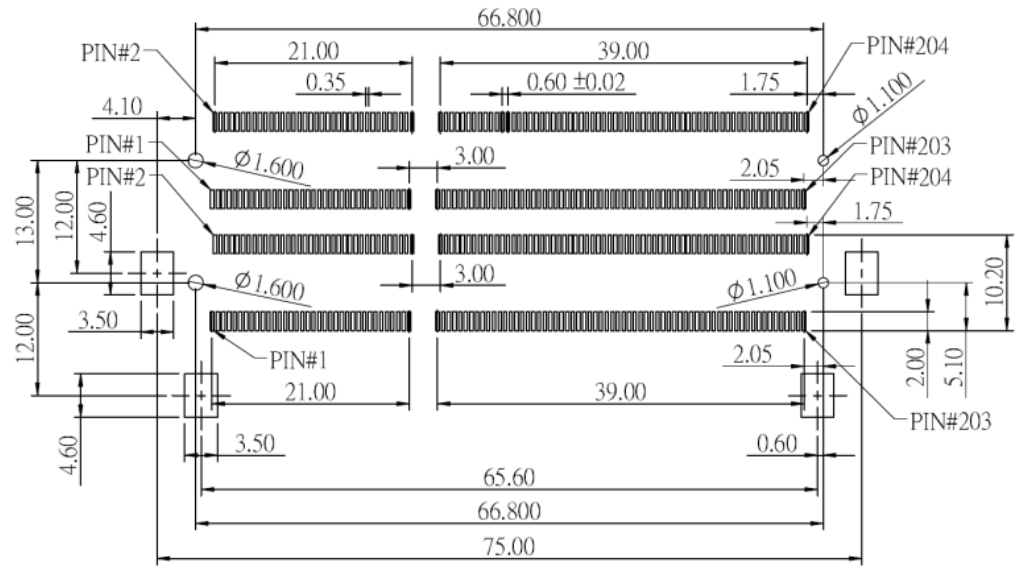
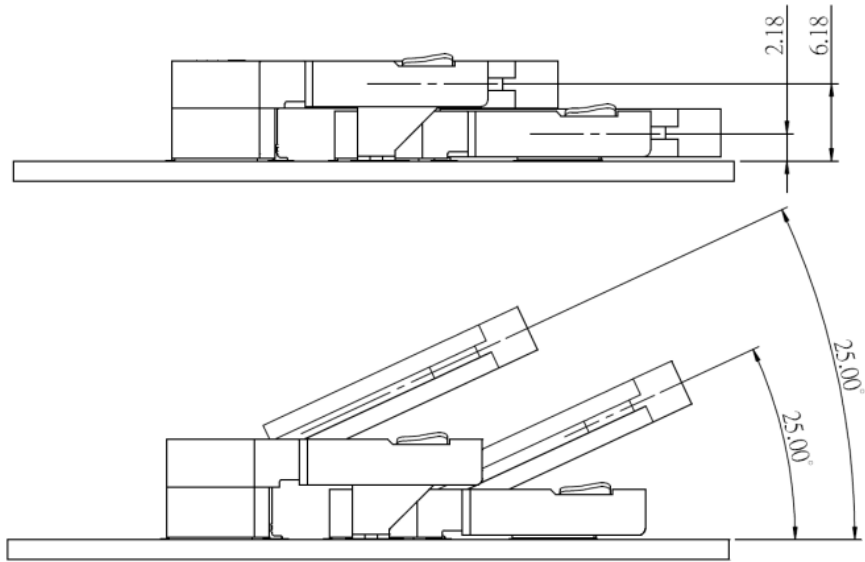
PROJECTION

照片框

ORDER INFORMATION

SDM6-W80V15R-A372-LF
SERIES | REEL | LEADFREE
1.5V HIGH 8.0mm | 204 WAY
90°SMT

DESCRIPTION:



PCB LAYOUT:COMPONENT SIDE(4.0&8.0 TYPE)

RoHS Compliant

TOLERANCES ARE



煜倫股份有限公司

www.morethanall.com

DRAWING BY CY

CHECKED BY GENIUS

UNIT/ mm

SCALE 1:1

DATE

SIZE A4

X. ± 0.30
 .X ± 0.20
 .XX ± 0.10
 .XXX ± 0.05
 ANG ±

PPOJECTION

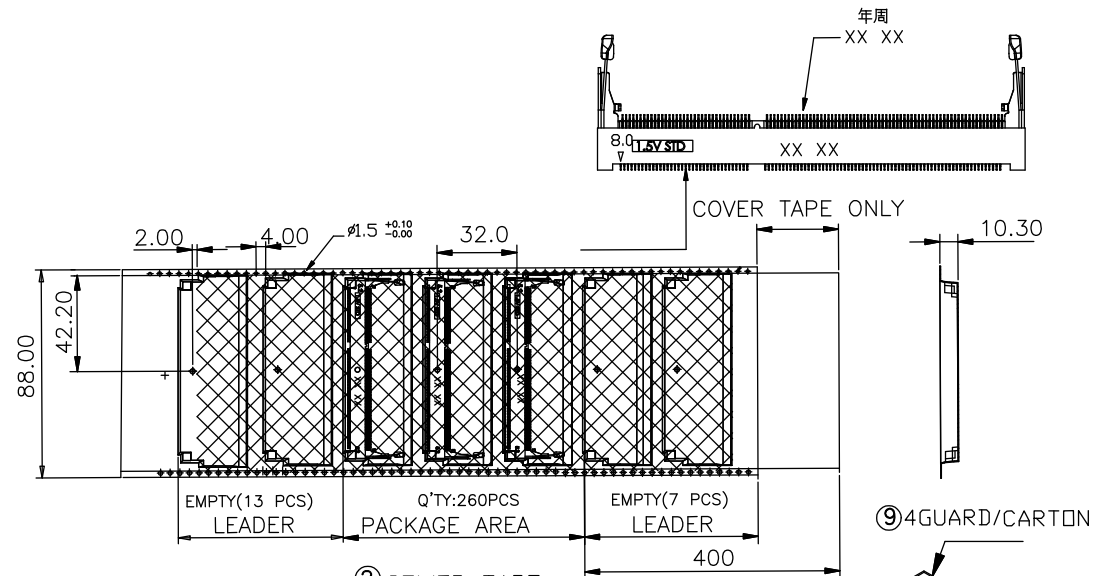
照片框

ORDER INFORMATION

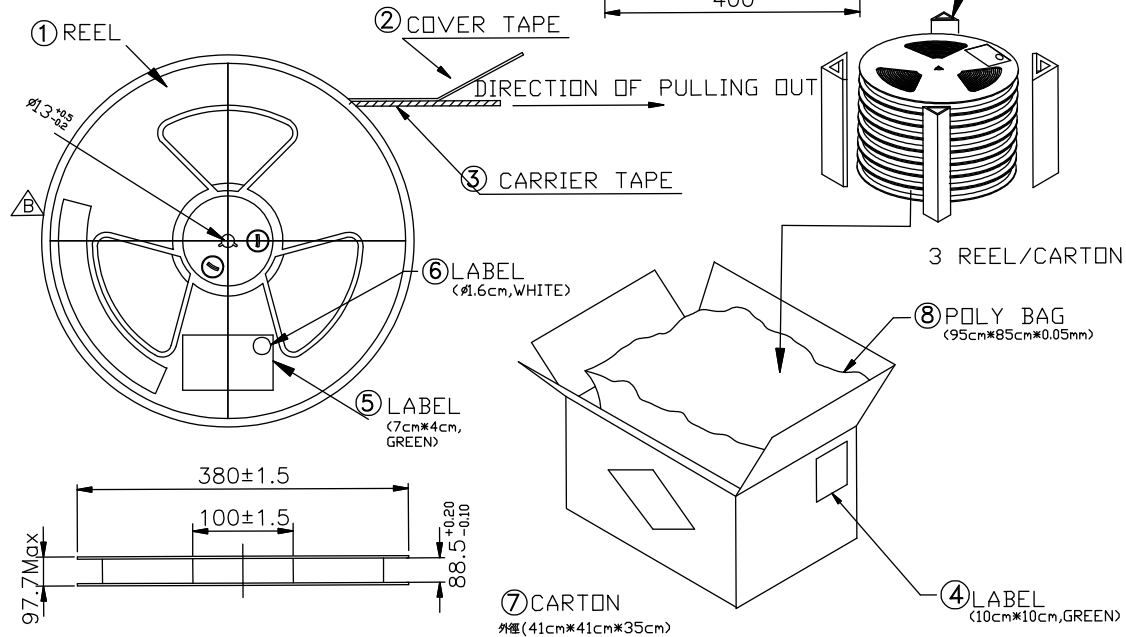
SDM6-W80V15R-A372-LF

SERIES | REEL | LEADFREE
 1.5V HIGH 8.0mm 204 WAY
 90°SMT

DESCRIPTION:



	MATERIAL	P/N	REMARKS
1	REEL	REEL-RB191	H=97.7Max
2	COVER	REEL-UC825	W=82.5mm
3	CARRIER TAPE	REEL-070LBB8938	W=88mm
4	LABEL(for RoHS)	CTP-00002	1 LABEL/CARTON
5	LABEL(for RoHS)	CTB-00004	1 LABEL/REEL
6	LABEL(for RoHS)	CTB-00005	1 LABEL/REEL
7	CARTON	CTN-11006	CARTON/3 REEL/780 pcs
8	POLY BAG	95cmX85cmX0.05m/m	1 BAG/CARTON
9	GUARD	CTN-N3025	4 GUARD/CARTON



RoHS Compliant

TOLERANCES ARE

MORETHANALL
PCB CONNECTORS
Cable ASSEMBLIES

DRAWING BY CY

X ± 0.30

CHECKED BY GENIUS

.X ± 0.20

UNIT / mm

SCALE 1 : 1

.XX ± 0.10

DATE

.XXX ± 0.05

ANG ±

SIZE A4

PJECTION

照片框

ORDER INFORMATION

SDM6-W80V15R-A372-LF

SERIES | REEL | LEADFREE
| 1.5V | 204 WAY
| HIGH 8.0mm |
| 90°SMT |

煜倫股份有限公司

www.morethanall.com

DESCRIPTION: