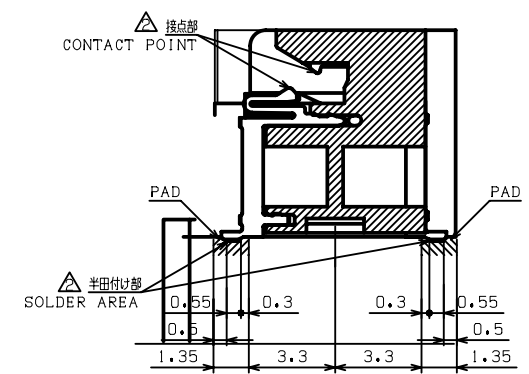


DETAIL E



NOTES.

- 1. 材質: ハウジング: LCP樹脂, UL94V-0, 色: 黒色
 コネクタ: 銅合金
 メタルラッチ: ステンレス
 MATERIAL: HOUSING: LCP, UL94V-0, COLOR: BLACK
 CONTACT: COPPER ALLOY
 METAL LATCH: SUS
- △ メッキ: コネクタ (接点部, 半田付部): 金メッキ 0.0075µm MIN, ニッケル下地 1.5µm MIN.
 PLATING; CONTACT (CONTACT POINT, SOLDER AREA):
 Au PLATE 0.0075µm MIN, NI UNDER PLATE 1.5µm MIN.
- △ コネクタを平坦面に置き、端子半田付部の厚さは、0.1mm以下
 MUST BE MEASURED FLOATING AMOUNT OF CONTACT TAILS
 FROM DATUM SURFACE IS 0.1mm MAX.

- △ 倍率適用外寸法
 NOT TO SCALE.
- △ 公差非累積
 TOLERANCES NON-CUMULATIVE
- △ 他社のソケット用
 FOR SOCKET OF THE OTHER COMPANIES

照片框

RoHS Compliant

TOLERANCES ARE

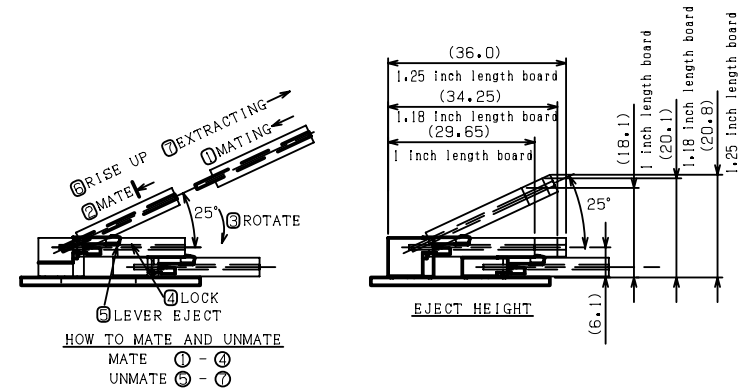
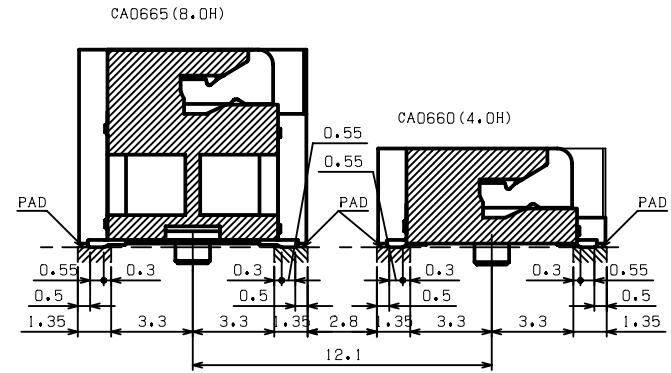
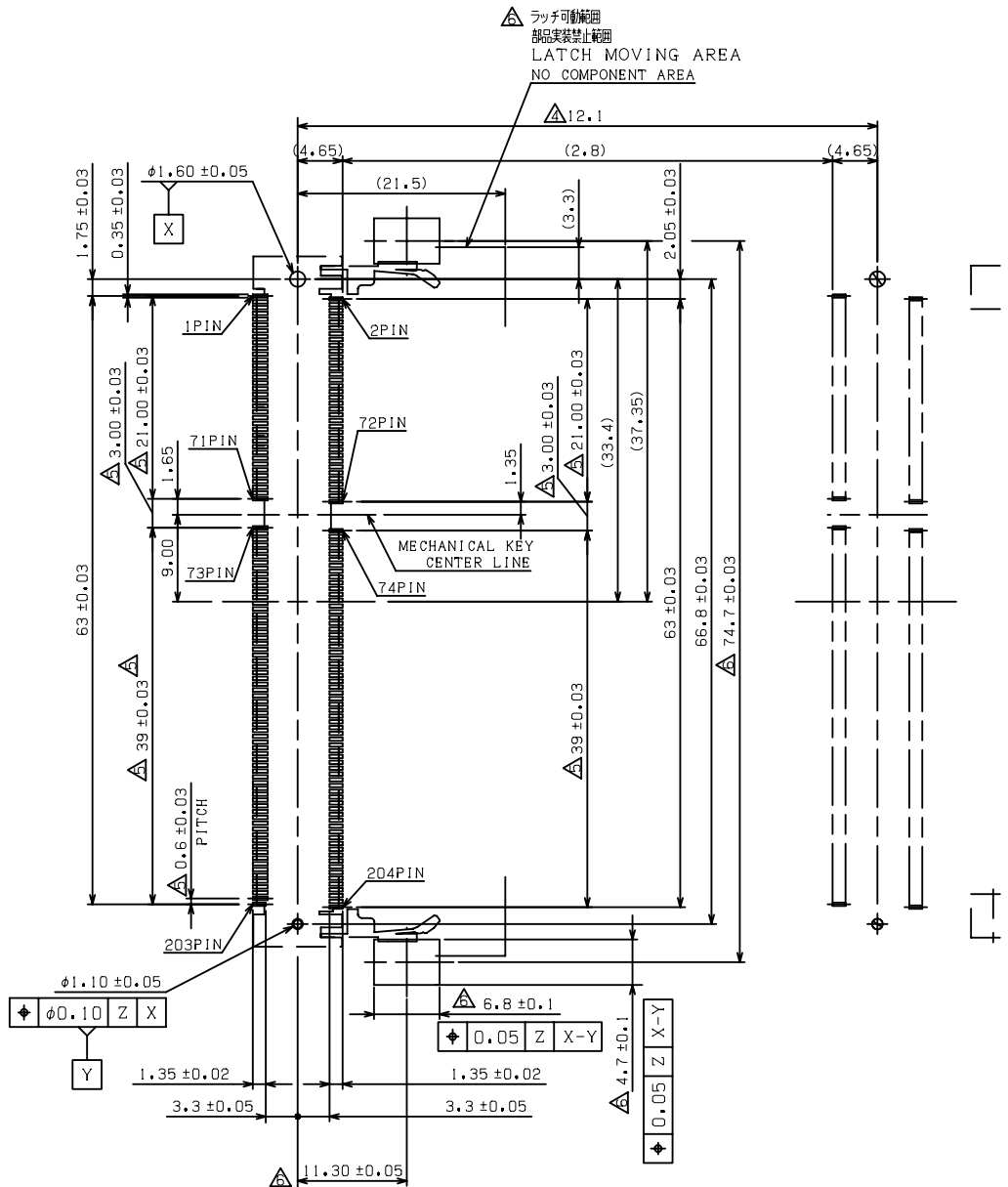
MORETHANALL
 PCB CONNECTORS
 Cable ASSEMBLIES
煜倫股份有限公司
 www.morethanall.com

DRAWING BY CY		X, ± .X ± .XX ±
CHECKED BY GENIUS		
UNIT / mm	SCALE 1:1	.XXX ± ANG ± 3°
DATE		
SIZE A4	PJECTION	

ORDER INFORMATION

SDM6-W80V15R-72A3-LF
 SERIES | REEL | LEADFREE
 | | 204 WAY
 | | 1.5V
 | | HIGH 8.0mm
 | | 90°SMT

DESCRIPTION: DDR S.O DIMM SOCKET H=8.0 TYPE A SMALL LATCH FOR 204PIN DDR S.O DIMM(DDR3)



RoHS Compliant

TOLERANCES ARE

MORETHANALL
PCB CONNECTORS
Cable ASSEMBLIES

DRAWING BY CY

X ±

CHECKED BY GENIUS

.X ±

UNIT / mm

SCALE 1 : 1

.XX ±

.XXX ±

ANG ± 3°

DATE

SIZE A4

PJECTION

照片框

ORDER INFORMATION

SDM6-W80V15R-72A3-LF

SERIES

|

|

|

|

|

|

|

|

|

|

|

|

|

|

|

LEADFREE

204 WAY

REEL

1.5V

HIGH 8.0mm

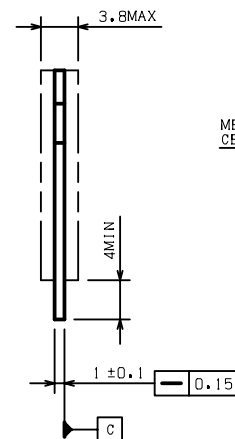
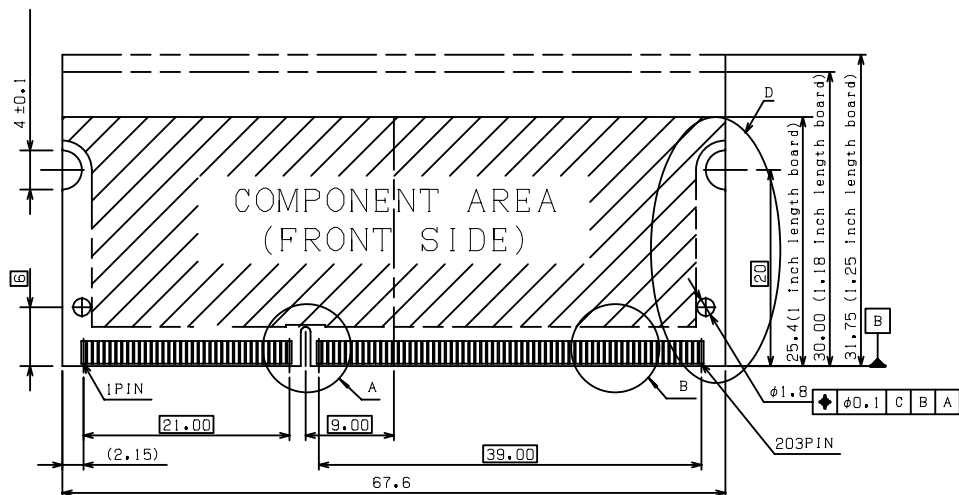
90°SMT

DESCRIPTION:

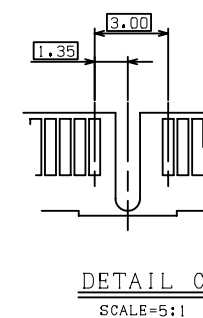
DDR S.O DIMM SOCKET H=8.0 TYPE A SMALL LATCH FOR 204PIN DDR S.O DIMM(DDR3)

煜倫股份有限公司

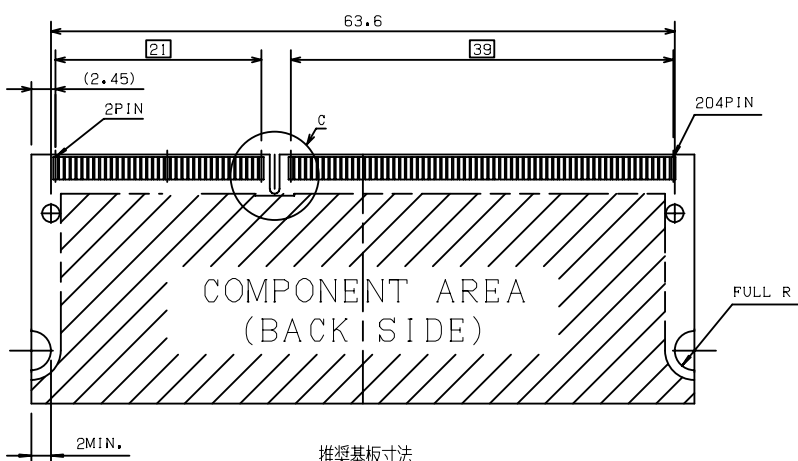
www.morethanall.com



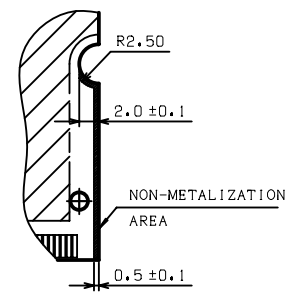
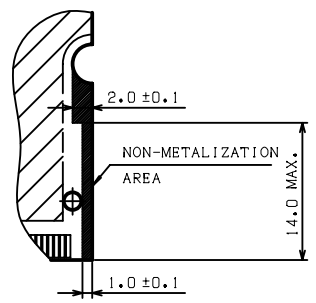
DETAIL A
SCALE=5:1



DETAIL C
SCALE=5:1



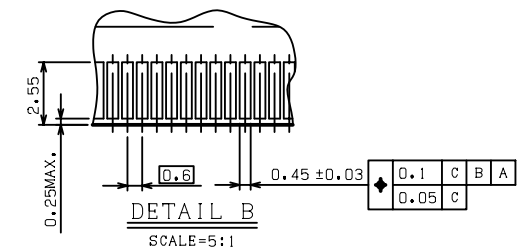
推奨基板寸法
RECOMMENDED MATING
P.C. BOARD DIM.



DETAIL D

注記: (SHEET 3 に適用)
NOTES: (APPLIED TO SHEET 3)

- 一般公差 ±0.15
TOLERANCES ON ALL DIMENSION ±0.15 UNLESS OTHERWISE SPECIFIED.
- 基板厚寸法は、メッキ厚を含む。
P.C. BOARD THICKNESS APPLIES ACROSS TABS AND INCLUDES PLATING AND/OR METALIZATION.
- パッド部の仕上げ: ニッケル下地メッキ 0.002MIN, 厚の上は、金メッキ 0.000756MIN.
FINISH OF PAD: GOLD PLATING 0.00076MIN. OVER Ni PLATING 0.002MIN.
厚を施す。



DETAIL B
SCALE=5:1

RoHS Compliant

TOLERANCES ARE

X, ±
.X ±
.XX ±
.XXX ±
ANG ±3°

照片框

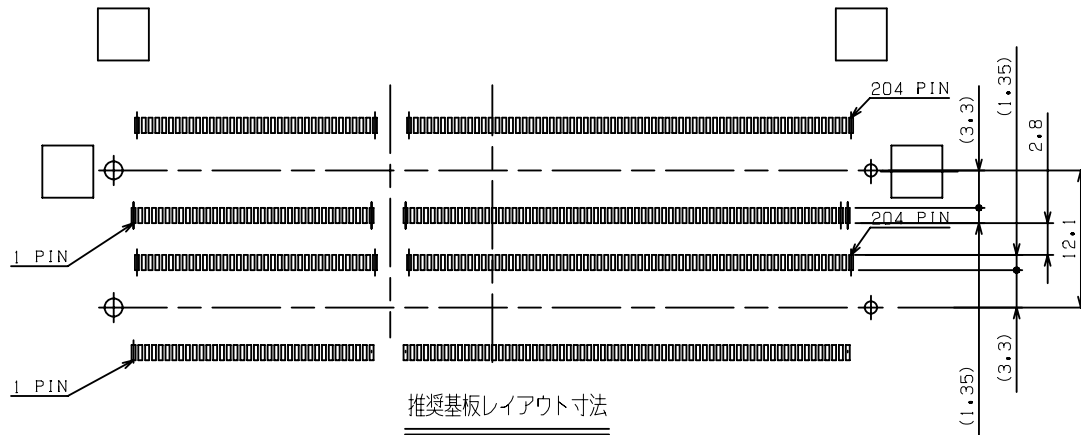
ORDER INFORMATION

SDM6-W80V15R-72A3-LF
SERIES | REEL | LEADFREE
204 WAY
1.5V
HIGH 8.0mm
90°SMT

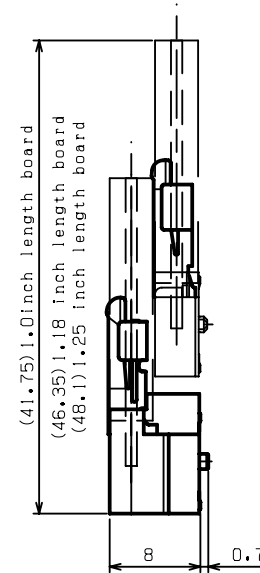
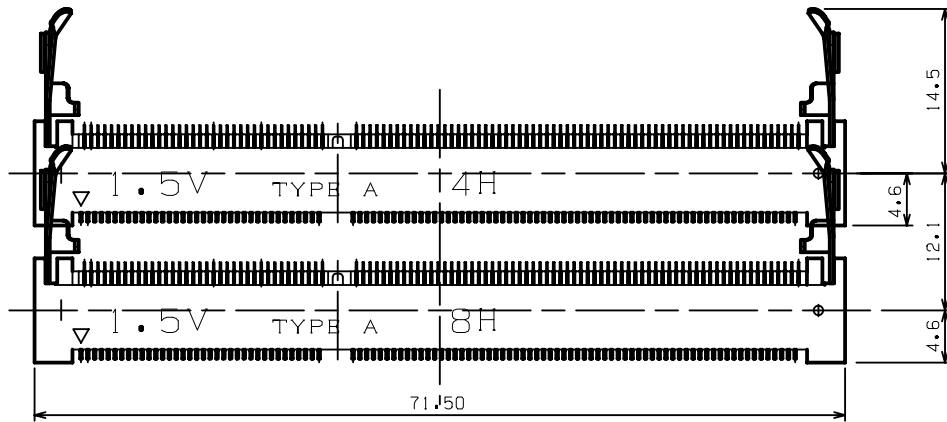
DESCRIPTION: DDR S.O DIMM SOCKET H=8.0 TYPE A SMALL LATCH FOR 204PIN DDR S.O DIMM(DDR3)

MORETHANALL
PCB CONNECTORS
Cable ASSEMBLIES
煜倫股份有限公司
www.morethanall.com

DRAWING BY CY		TOLERANCES ARE
CHECKED BY GENIUS		
UNIT / mm	SCALE 1:1	.XXX ± ANG ±3°
DATE		
SIZE A4	PJECTION	



推奨基板レイアウト寸法
RECOMMENDED MOUNTING
P.C. BOARD PATTERN LAYOUT DIM.



Combination Dimension for H=4.0 connector

(Only the combination of the P/N CA0462 (H=4.0) and CA0703 (H=8.0) is possible.)

MORETHANALL
PCB CONNECTORS
Cable ASSEMBLIES

煜倫股份有限公司

www.morethanall.com

RoHS Compliant

DRAWING BY CY
CHECKED BY GENIUS
UNIT / mm SCALE 1 : 1
DATE
SIZE A4 PPROJECTION

TOLERANCES ARE

X. ±
.X ±
.XX ±
.XXX ±
ANG ± 3°

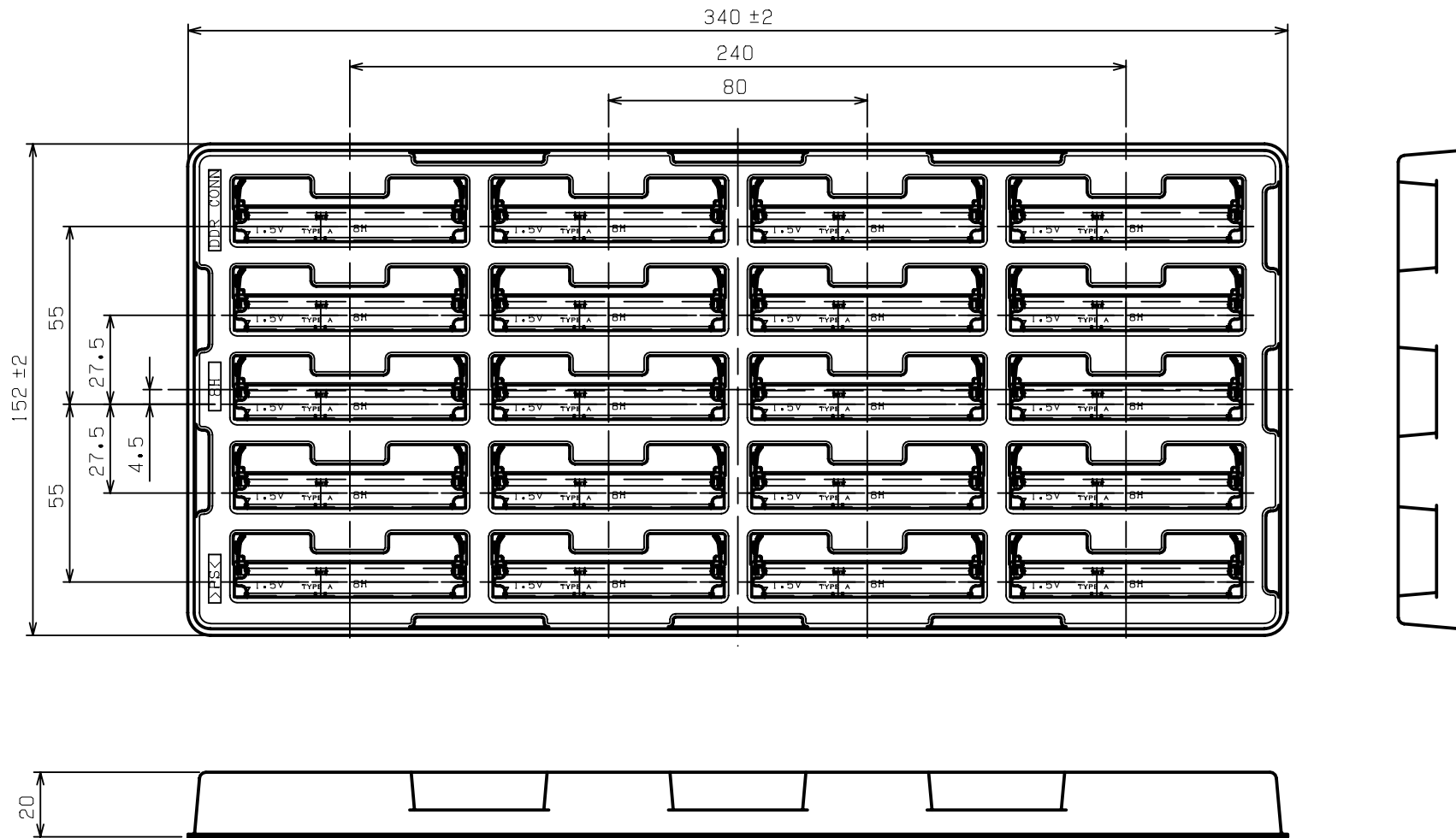
照片框

ORDER INFORMATION

SDM6-W80V15R-72A3-LF

SERIES | | | | LEADFREE
| | | | 204 WAY
| | | | REEL
| | | | 1.5V
| | | | HIGH 8.0mm
| | | | 90°SMT

DESCRIPTION: DDR S.O DIMM SOCKET H=8.0 TYPE A SMALL LATCH FOR 204PIN DDR S.O DIMM(DDR3)



® SOFT TRAY PACKAGING

QTY: 20 PCS

MORETHANALL
PCB CONNECTORS
Cable ASSEMBLIES

煜倫股份有限公司

www.morethanall.com

RoHS Compliant

DRAWING BY CY
CHECKED BY GENIUS
UNIT / mm SCALE 1:1
DATE
SIZE A4

TOLERANCES ARE

X. ±
.X ±
.XX ±
.XXX ±
ANG ±

PJECTION

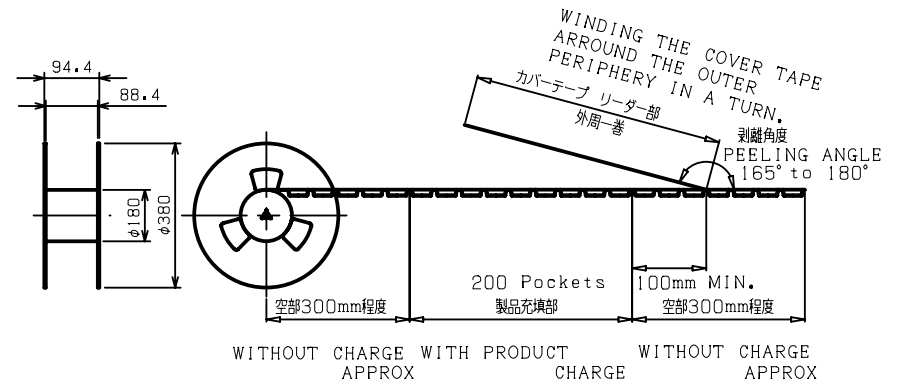
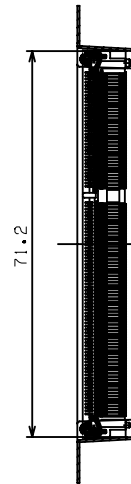
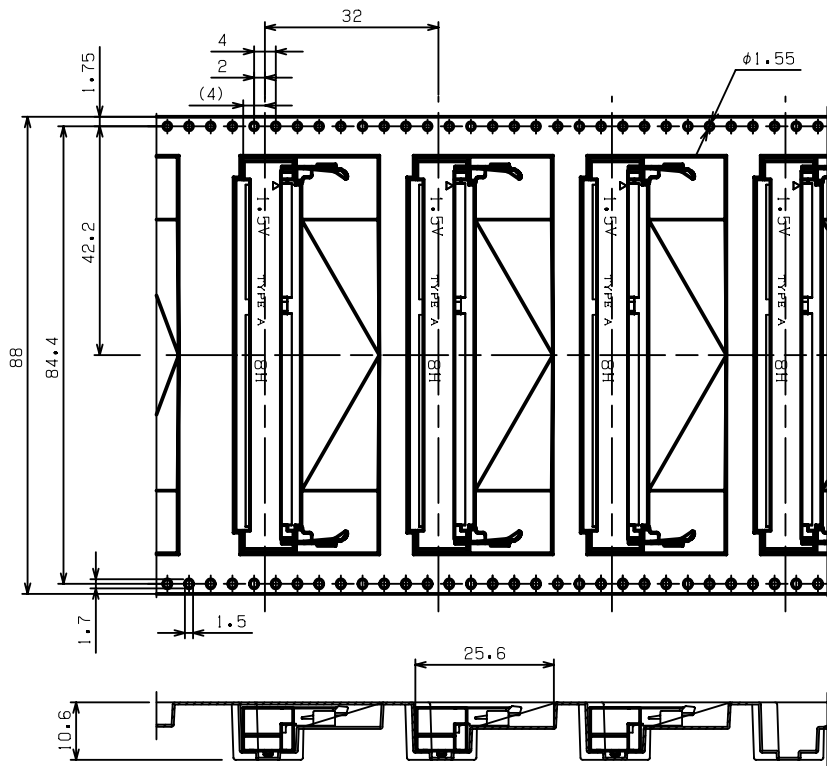
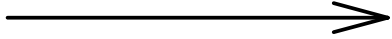
照片框

ORDER INFORMATION

SDM6-W80V15R-72A3-LF
SERIES | | | | LEADFREE
 | | | | 204 WAY
 | | | | REEL
 | | | | 1.5V
 | | | | HIGH 8.0mm
 | | | | 90°SMT

DESCRIPTION:

DIRECTION OFF TOP OF REEL



QTY: 200

RoHS Compliant

TOLERANCES ARE

MORETHANALL
PCB CONNECTORS
Cable ASSEMBLIES

煜倫股份有限公司

www.morethanall.com

DRAWING BY CY

CHECKED BY GENIUS

UNIT / mm

SCALE 1:1

DATE

SIZE A4

X, ±

.X ±

.XX ±

.XXX ±

ANG ±

PJECTION

照片框

ORDER INFORMATION

SDM6-W80V15R-72A3-LF

SERIES

|

|

|

|

|

|

|

|

|

|

|

|

|

|

|

LEADFREE
204 WAY

REEL

1.5V
HIGH 8.0mm
90°SMT

DESCRIPTION: