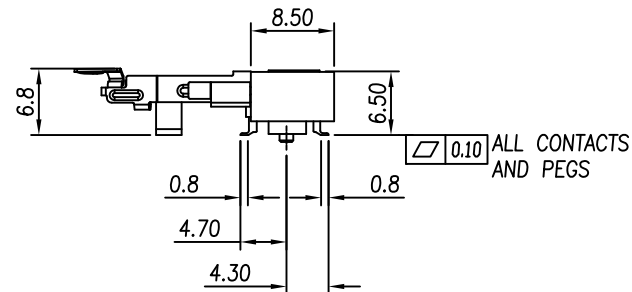
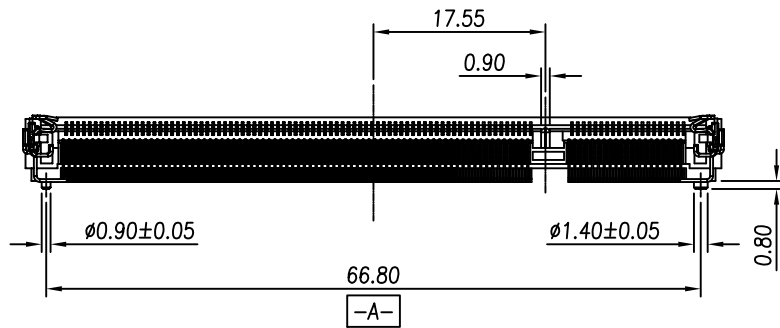


NOTES

1. MATERIAL
 HOUSING: THERMOPLASTIC .UL94V-0. COLOR: NATURAL
 CONTACT: COPPER ALLOY, T=0.15mm.
 LATCH: SUS
2. FINISH
 CONTACT: GOLD PLATING ON CONTACT AREA AND
 GOLD PLATING ON SOLDER AREA
 50~150u" NICKEL UNDER-PLATING ALL OVER
 LATCH: 80~150u" TIN PLATING OVER
 50~150u" NICKEL UNDER-PLATING ALL OVER



RoHS Compliant

TOLERANCES ARE

MORETHANALL
 PCB CONNECTORS
 Cable ASSEMBLIES

煜倫股份有限公司

www.morethanall.com

DRAWING BY CY

CHECKED BY GENIUS

UNIT / mm

SCALE 1 : 1

DATE

SIZE A4

PJECTION

X, ±
 .X ± 0.35
 .XX ± 0.25
 .XXX ± 0.10
 ANG ±

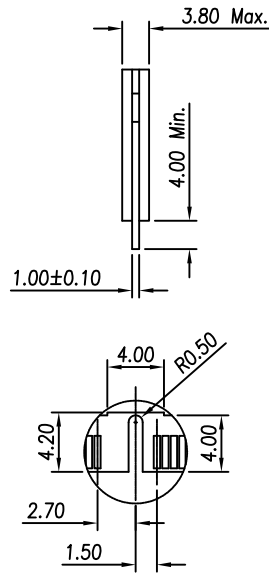
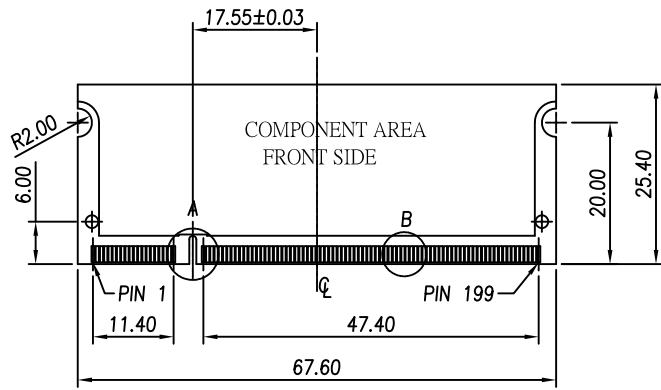
照片框

ORDER INFORMATION

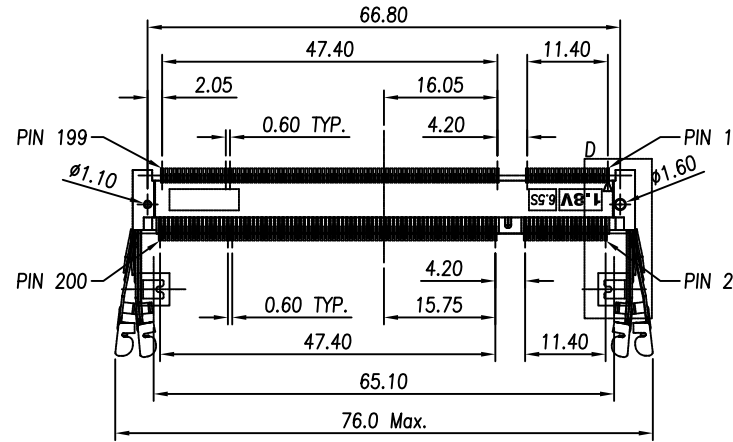
SDM6-W65V18R-40A6-LF

SERIES | | | | LEADFREE
 | | | | 40+160 WAY
 | | | | REEL
 | | | | 1.8V
 | | | | HIGH:6.5mm
 | | | | 90°SMT

DESCRIPTION: DDR 200P-6.5H

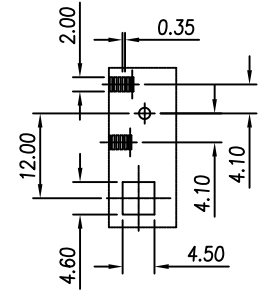


DETAIL A

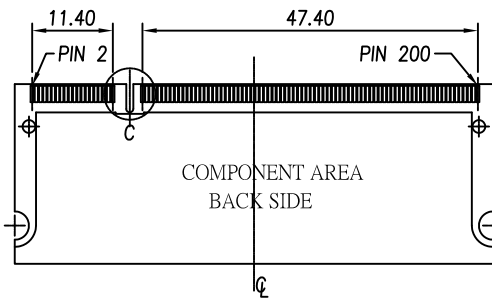
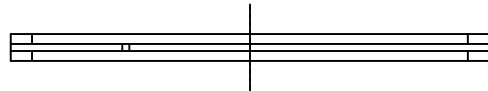


Recommended P.C.Board Layout.

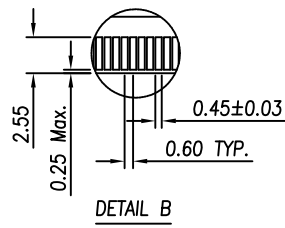
Tolerance: ±0.05



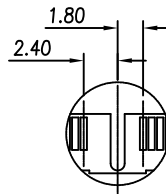
DETAIL D



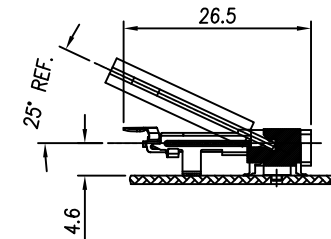
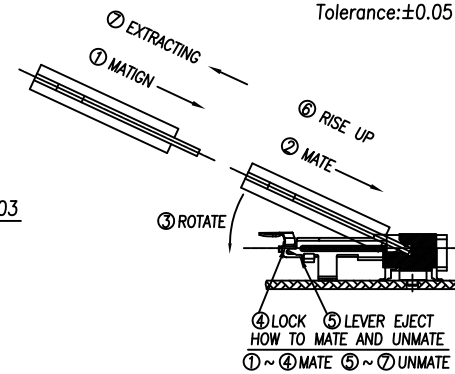
Recommended Module Configuration.



DETAIL B



DETAIL C



RoHS Compliant

TOLERANCES ARE

MORETHANALL
PCB CONNECTORS
Cable ASSEMBLIES

DRAWING BY CY

X, ±

CHECKED BY GENIUS

.X ± 0.35

UNIT / mm

SCALE 1 : 1

.XX ± 0.25

DATE

.XXX ± 0.10

ANG ±

SIZE A4

P PROJECTION

照片框

ORDER INFORMATION

SDM6-W65V18R-40A6-LF

SERIES

LEADFREE

40+160 WAY

REEL

1.8V

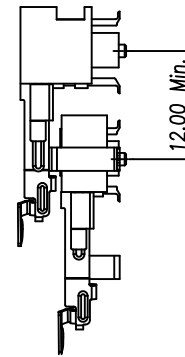
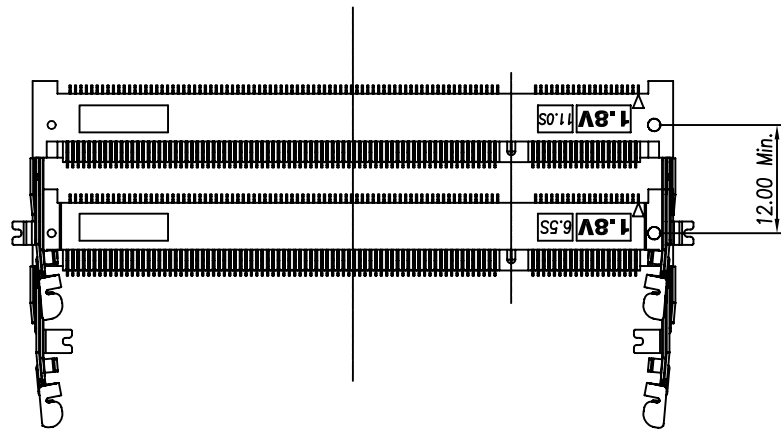
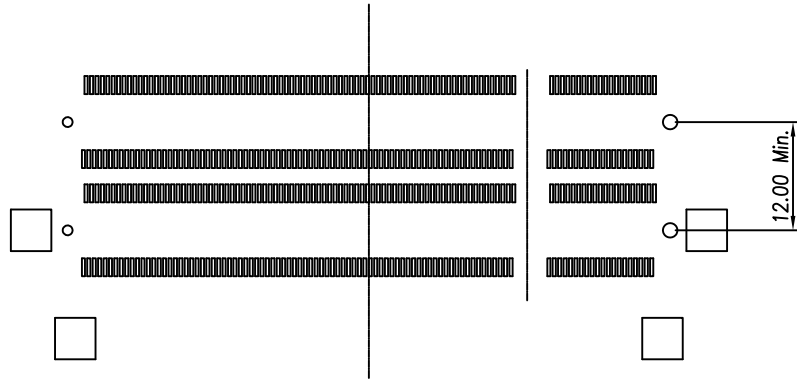
HIGH: 6.5mm

90°SMT

煜倫股份有限公司

www.morethanall.com

DESCRIPTION: DDR 200P-6.5H



RoHS Compliant

TOLERANCES ARE

MORETHANALL
PCB CONNECTORS
Cable ASSEMBLIES

DRAWING BY CY

X, ±

CHECKED BY GENIUS

.X ± 0.35

UNIT / mm

SCALE 1 : 1

.XX ± 0.25

DATE

.XXX ± 0.10

ANG ±

照片框

ORDER INFORMATION

SDM6-W65V18R-40A6-LF

SERIES

REEL

40+160 WAY

LEADFREE

1.8V
HIGH:6.5mm
90°SMT

煜倫股份有限公司

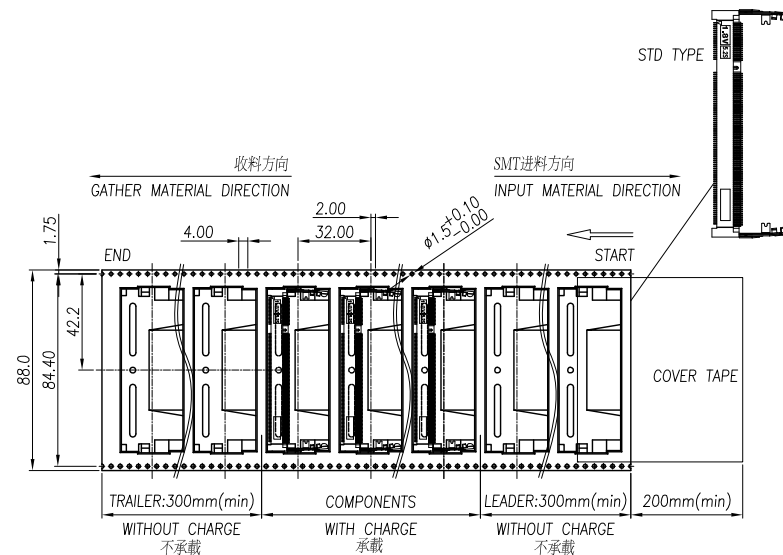
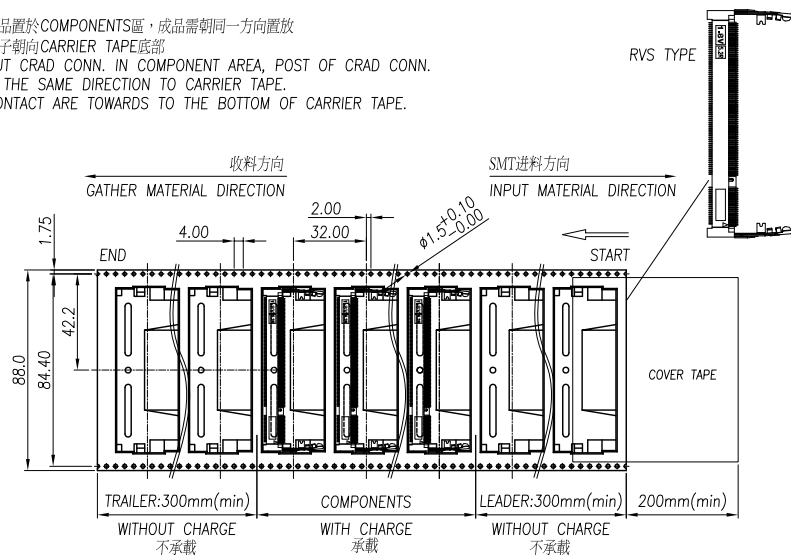
www.morethanall.com

SIZE A4

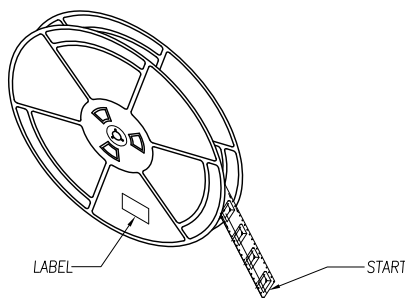
PJECTION

DESCRIPTION: DDR 200P-6.5H

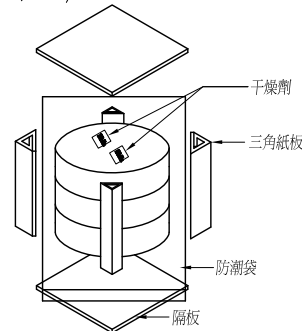
- 1-1.成品置於COMPONENTS區，成品需朝同一方向置放
 1-2.端子朝向CARRIER TAPE底部
 1-1.PUT CRAD CONN. IN COMPONENT AREA, POST OF CRAD CONN. IS THE SAME DIRECTION TO CARRIER TAPE.
 1-2.CONTACT ARE TOWARDS TO THE BOTTOM OF CARRIER TAPE.



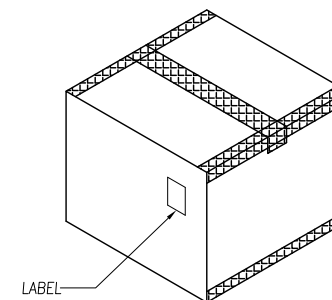
- 2-1.CARRIER & COVER 黏合 (或熱壓合)
 CARRIER 末端 (END) 以膠帶固定於HUB小的一端，COVER朝向REEL的外側
 2-2.LABEL貼於REEL外側 (靠起點位置)
 2-3.CARRIER不足一卷長度時 (見包裝明細表) 不可重疊接合使用
 2-4.COVER TAPE不可重疊搭接使用
 2-5.以透明膠帶將START (起始點) 固定住
 2-1.ADHERE OR HEAT COVER & CARRIER TAPE PUT THE END OF CARRIER ON THE "HUB'S GATE", FIX WITH TRANSPARENT TAPE.
 2-2.STICK LABEL ON OUTSIDE OF REEL, NERA THE POSITION OF START SIDE OF COVER.
 2-3.IF THE LENGH OF CARRIER ISN'T LONG ENOUGH CONNECT TO USE AS PACKING LIST, COVER TAPE IS ALSO IN THE SAME CONDITION.
 2-4.FIX THE COVER TAPE OF STARD WITH TRANSPARENT TAPE.



- 3-1.REEL之LABEL一致朝上
 3-2.先置入一片隔板於內箱底部
 3-3.將REEL平置於防潮袋內，袋內放入2包乾燥劑，再置入內盒中，3Reel/Carton
 3-4.再置入一片隔板於REEL頂部
 3-5.以TAPE封合，並貼上成品包裝標籤
 3-1.PUT THE LABEL OF REEL UP
 3-2.PUT 1 PIECE OF POLYFORM INTO BOTTOM OF BOX, THE LABEL OF REEL UP.
 3-3.PUT 3 REEL AND 2 BAGS SILICA GEL INTO PE BAG. THEN PUT DOWN IN BOX, AFTER PE BAG WAS CLOSED.
 3-4.PUT 1 PIECE OF POLYFORM ON TOP OF P.E. BAG.
 3-5.CLOSE BOX AND SEAL WITH TAPE, STICK THE PRODUCT LABEL ON TOP SIDE OF BOX, 3REEL/CARTON.



- 4-1.以TAPE封合，並貼上成品包裝標籤
 4-1.SEAL WITH TAPE AND STICK PRODUCT LABEL ON LEFT SIDE.



RoHS Compliant

MORETHANALL
 PCB CONNECTORS
 Cable ASSEMBLIES

煜倫股份有限公司

www.morethanall.com

DRAWING BY CY

CHECKED BY GENIUS

UNIT / mm SCALE 1 : 1

DATE

SIZE A4

TOLERANCES ARE

X, ±

.X ±

.XX ±

.XXX ±

ANG ±

PJECTION

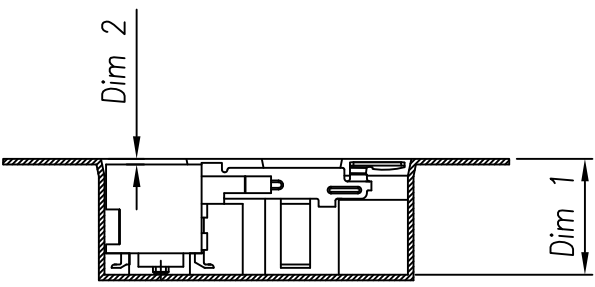
照片框

ORDER INFORMATION

SDM6-W65V18R-40A6-LF

SERIES | | | | LEADFREE
 | | | | 40+160 WAY
 | | | | REEL
 | | | | 1.8V
 | | | | HIGH:6.5mm
 | | | | 90°SMT

DESCRIPTION: 包裝規範 (PACKING LIST)

包裝材料明細 PACKING LIST				適用產品料號 PRODUCT P/N.	包裝容量 PACKING LIST			重量 WEIGHT		尺寸 DIM	
材料名稱 MATERIAL NAME	材料料號 PART NO.	淨重(KG) NET WEIGHT	用量 Q'TY		承載量/盤 PCS/REEL	盤數/箱 REEL/CARTON	總數量/箱 PCS/CARTON	每箱淨重 NET WEIGHT(kg)	每箱毛重 NET WEIGHT(kg)	尺寸1 Dim 1(mm)	尺寸2 Dim 2(mm)
承載帶 (CARRIER)				SDM6-W65V18R-40A6	250	3	750	3.6	6.7	8.30	0.50
上膠帶 (COVER)											
塑膠圓盤 (REEL)	DDR 4.0&8.0系列 其它系列		3套								
防潮袋 (PE BAG)	BA-02		1								
外箱 (CARTON)	ET-9000-0025 355*355*320mm		1								
隔板	CS-01		2								
乾燥劑	DR-01	5g	2								
三角紙板	ET-5500-0003		4								
標籤紙 (LABEL)			4								
											

RoHS Compliant

TOLERANCES ARE

MORETHANALL
PCB CONNECTORS
Cable ASSEMBLIES

煜倫股份有限公司

www.morethanall.com

DRAWING BY CY

CHECKED BY GENIUS

UNIT / mm

SCALE 1 : 1

DATE

SIZE A4

X, ±

.X ±

.XX ±

.XXX ±

ANG ±

PPOJECTION 

照片框

ORDER INFORMATION

SDM6-W65V18R-40A6-LF

SERIES

|

|

|

|

|

|

|

|

LEADFREE

40+160 WAY

REEL

1.8V

HIGH:6.5mm

90°SMT

DESCRIPTION: 包裝規範 (PACKING LIST)